

Notes: Pour steps monolithically with cap.  
 Space reinforcement in cap to miss anchor bolts.  
 For Anchor Bolt installation details see sheet 30 of 51.  
 For Bar Splicer details see sheet 48 of 51.  
 For bar bending details and Field Cutting Diagram see sheet 33 of 51.

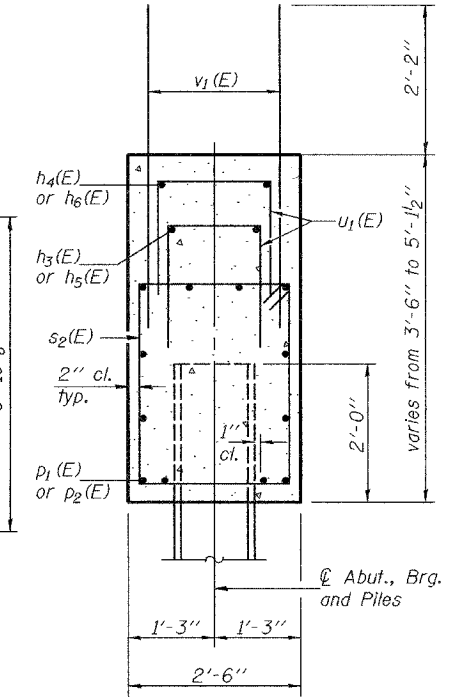
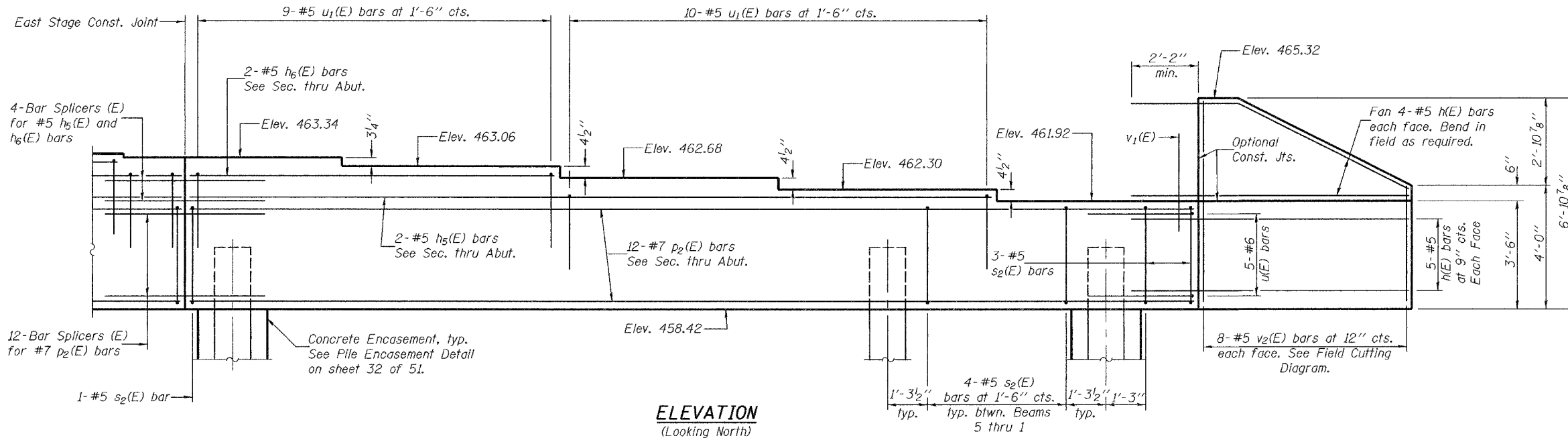
STATE OF ILLINOIS  
 DEPARTMENT OF TRANSPORTATION

PILE DATA  
 (N. ABUMENT - NB)

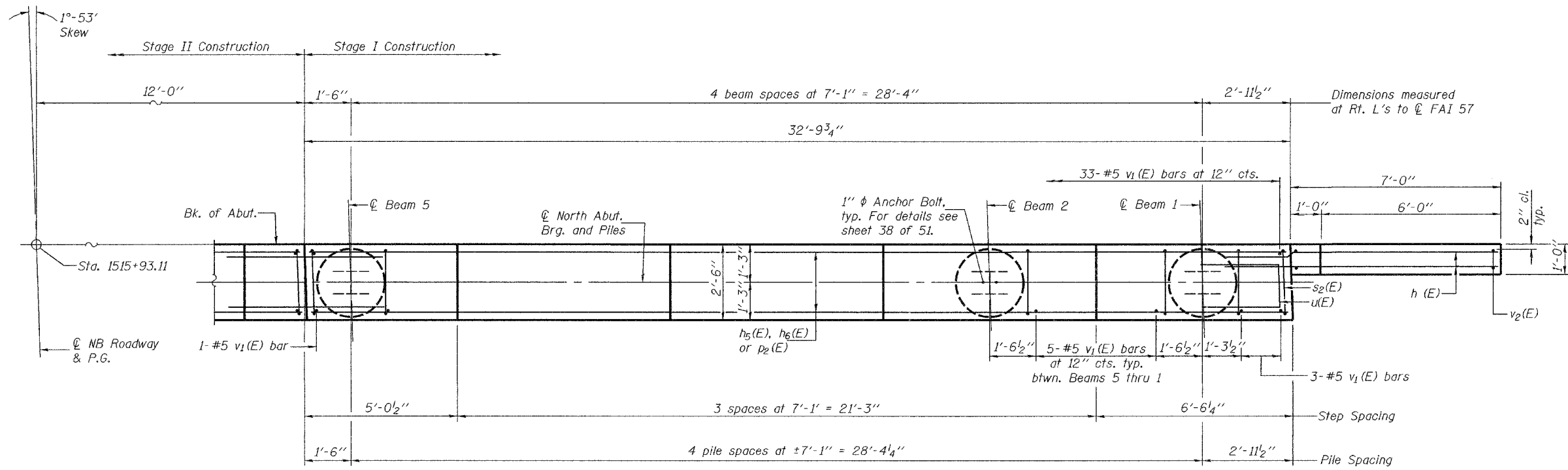
Type: HP14x73  
 Nominal Required Bearing: 578 kips  
 Factored Resistance Available: 289 kips  
 Est. Length: 60 feet  
 No. of Production Piles: 11

ROUTE NO.	SECTION	COUNTY	TOTAL SHEETS	SHEET NO.	SHEET NO. 34 51 SHEETS
F.A.I. 57	(X1-6-2) VB-2	WILLIAMSON	917	567	
FED. ROAD DIST. NO. 7		ILLINOIS	FED. AID PROJECT-		

Contract #98950



SECTION THRU  
 NORTH ABUMENT (NB)



PLAN

BILL OF MATERIAL  
 NORTH ABUMENT-SN 100-0086 (N.B.)

Bar	No.	Size	Length	Shape
h(E)	18	#5	9'-5"	—
h3(E)	8	#5	22'-8"	—
h4(E)	2	#5	21'-0"	—
h5(E)	2	#5	26'-0"	—
h6(E)	2	#5	11'-10"	—
p1(E)	24	#7	24'-4"	—
p2(E)	12	#7	32'-6"	—
s2(E)	46	#5	11'-5"	□
u(E)	11	#6	7'-2"	—
u1(E)	50	#5	6'-10"	—
v1(E)	134	#5	4'-4"	—
v2(E)	8	#5	10'-2"	—
Concrete Encasement	Cu. Yd.	4.9		
Concrete Structures	Cu. Yd.	34.2		
Reinforcement Bars, Epoxy Coated	Pound	4190		
Structure Excavation	Cu. Yd.	192		
Furnishing Steel Piles HP14x73	Foot	660		
Driving Piles	Foot	660		

NORTH ABUMENT (STAGE I - NB)  
 F.A.I. RT. 57 SEC. (X1-6-2)VB-2  
 WILLIAMSON COUNTY  
 STA. 1516+58.56  
 S.N. 100-0086 (N.B.) & S.N. 100-0087 (S.B.)

DESIGNED Michael D. Cima  
 CHECKED Fess Teklehaimanot  
 DRAWN BECKY M. LEACH  
 CHECKED M.D.C. & F.T.

January 22, 2007  
 EXAMINED Thomas J. Domagalaki  
 PASSED Ralph E. Anderson