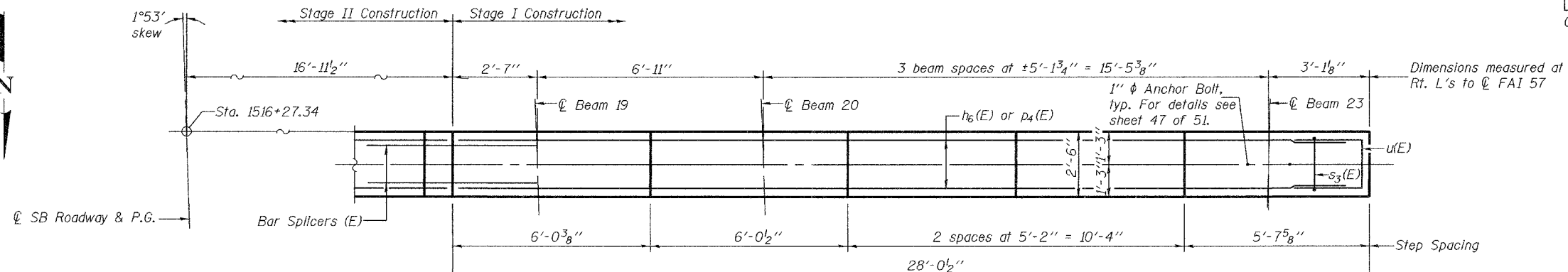


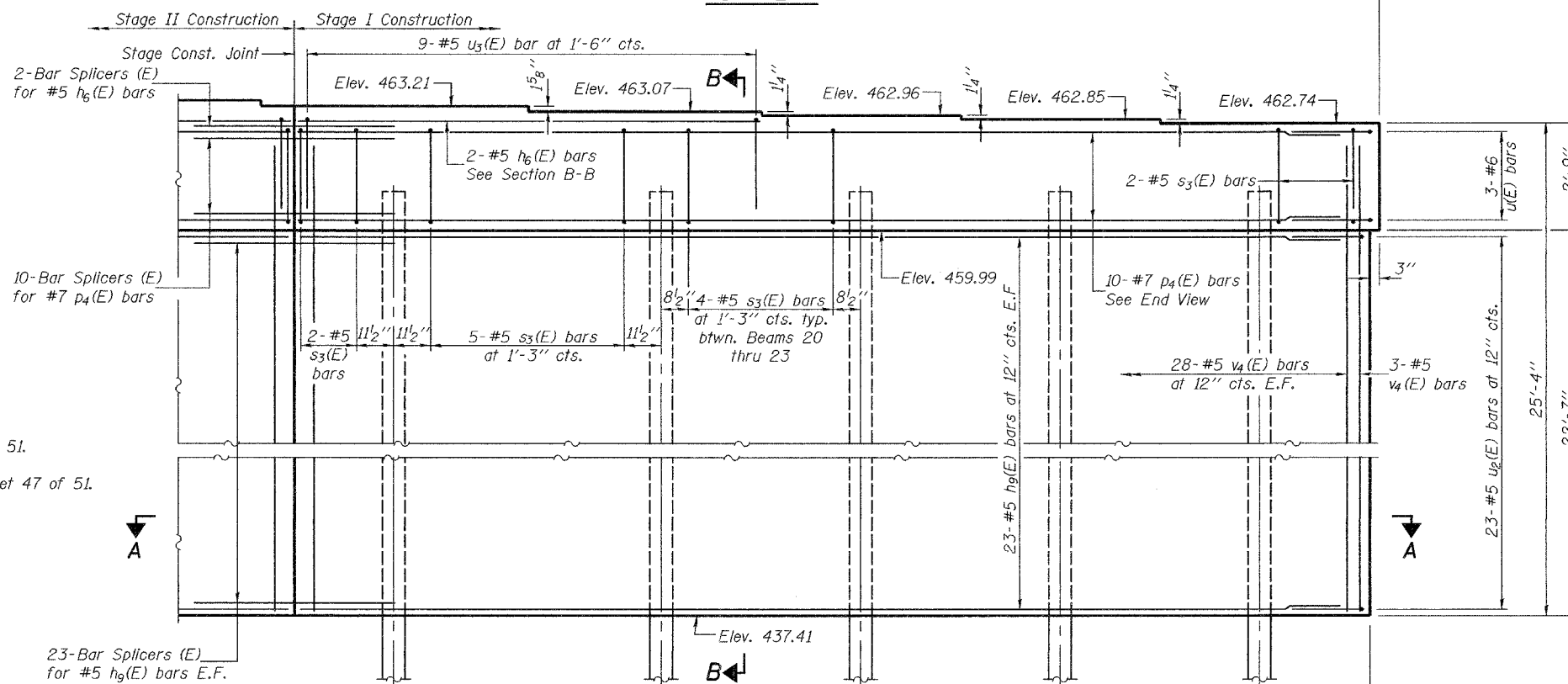
STATE OF ILLINOIS
DEPARTMENT OF TRANSPORTATION

ROUTE NO.	SECTION	COUNTY	POST MILES	SHEET NO.	SHEET NO. 42
F.A.I. 57	(X1-6-2) VB-2	WILLIAMSON	917	875	51 SHEETS
FED. ROAD DIST. NO. 7		ILLINOIS		FED. AID PROJECT-	

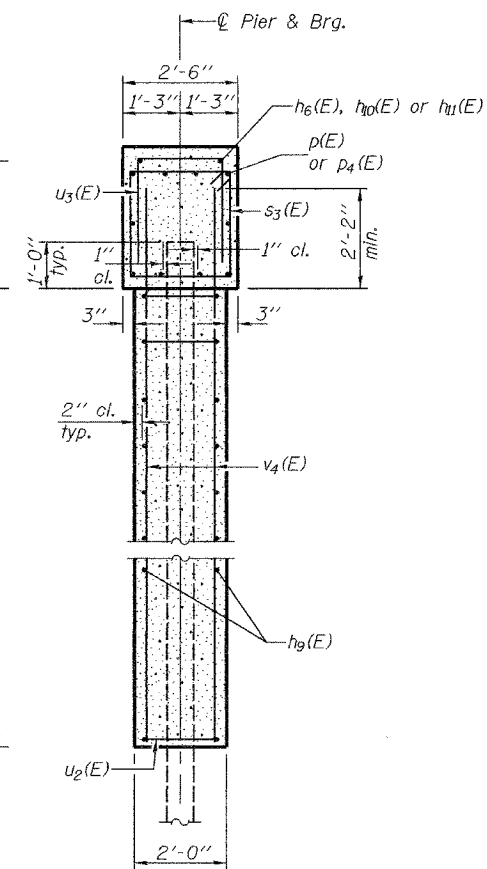
Contract #98950



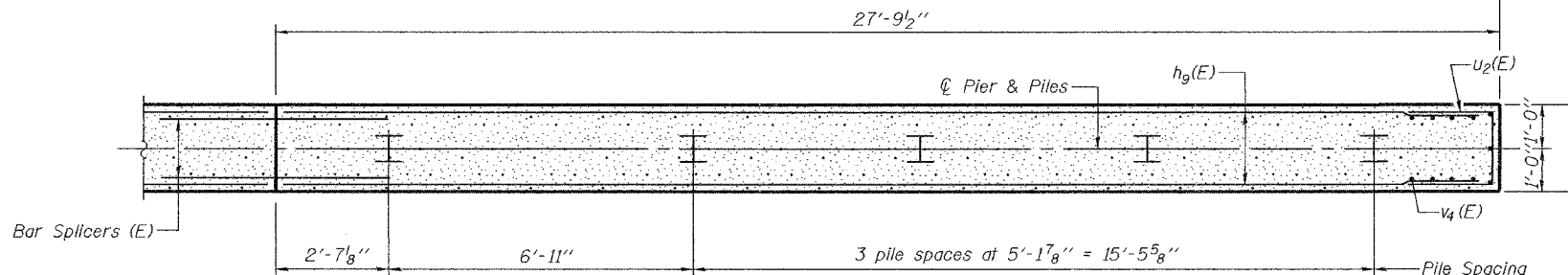
TOP PLAN



ELEVATION
(Looking South)



SECTION B-B



SECTION A-A

Notes: Pour steps monolithically with cap.
Space reinforcement in cap to miss anchor bolts.
For Anchor Bolt installation details see sheet 30 of 51.
For Bar Splicer details see sheet 48 of 51.
For Bill of Material and bar bending details see sheet 47 of 51.

PILE DATA
(PIER 1 - SB)

Type: HP14x73
Nominal Required Bearing: 578 kips
Factored Resistance Available: 289 kips
Est. Length: 60 feet
No. of Production Piles: 12

DESIGNED	Michael D. Cima
CHECKED	Fess Teklehaimanot
DRAWN	BECKY M. LEACH
CHECKED	M.D.C. & F.T.

EXAMINED	Thomas J. Domagalaki ENGINEER OF BRIDGE DESIGN
PASSED	Ralph E. Anderson ENGINEER OF BRIDGES AND STRUCTURES

PIER 1 (STAGE I - SB)
F.A.I. RT. 57 SEC. (X1-6-2)VB-2
WILLIAMSON COUNTY
STA. 1516+58.56
S.N. 100-0086 (N.B.)
S.N. 100-0087 (S.B.)