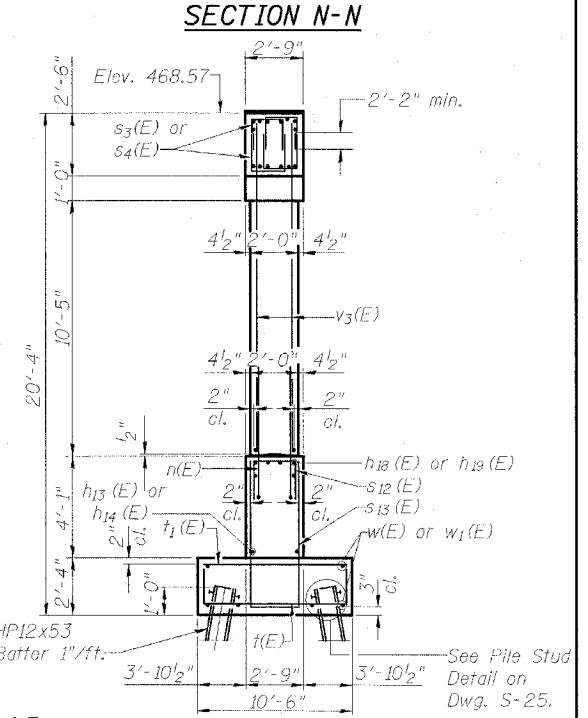
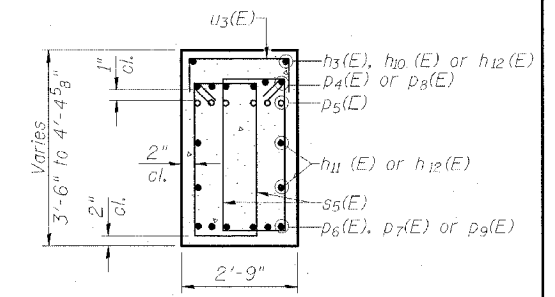
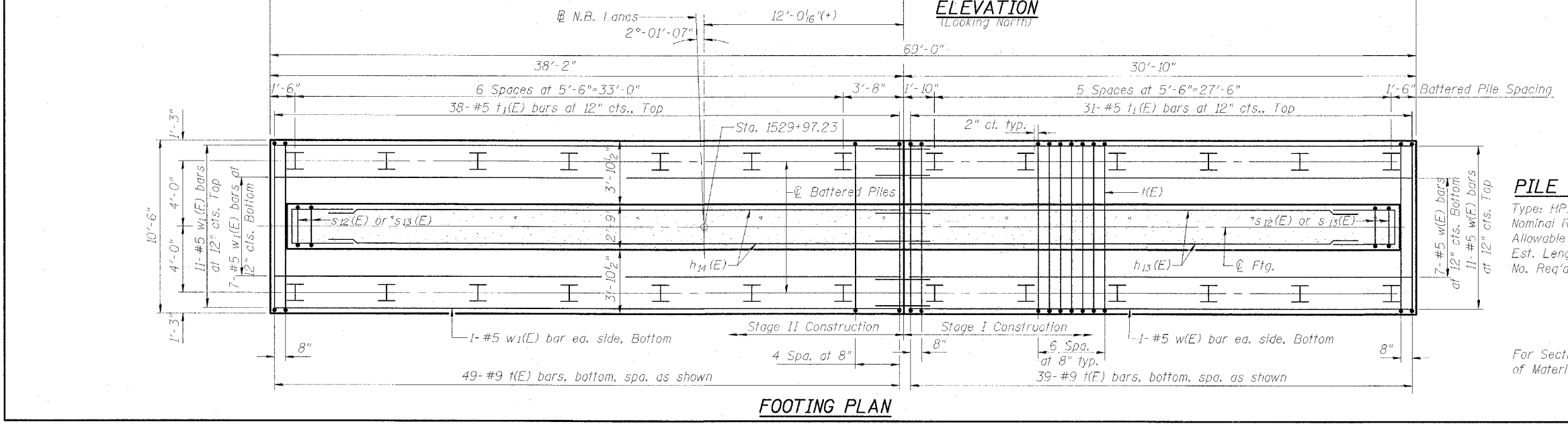
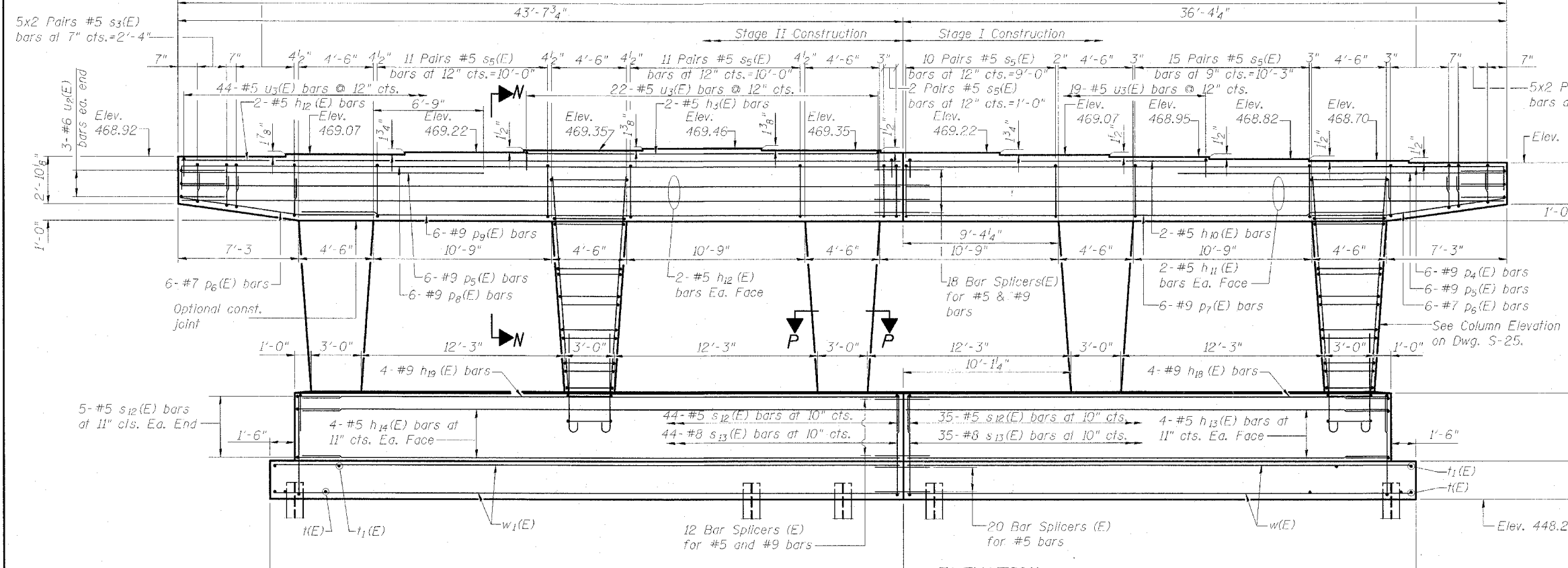
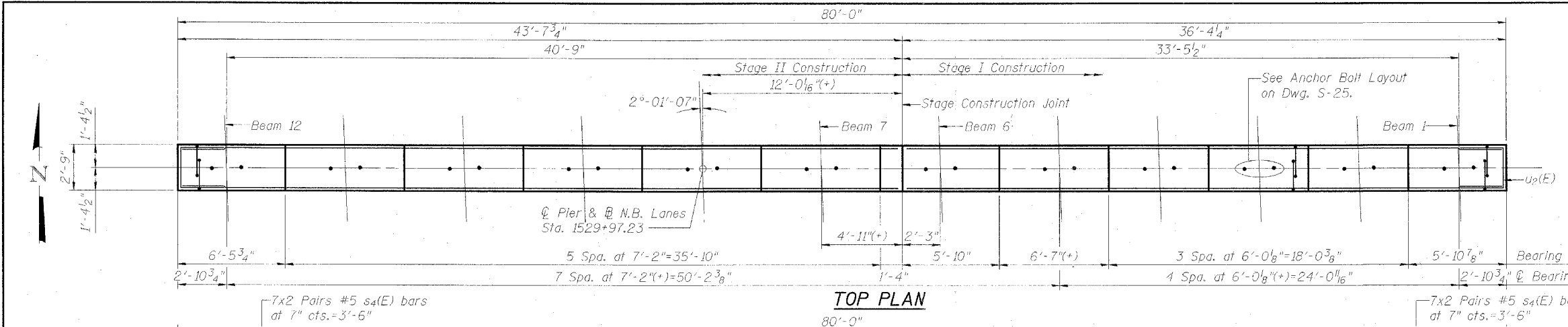


Contract #98950

Notes

1. See Dwg. S-26 for Fluted Rope Texture Details.
2. Four steps monolithically with cap.
3. Space reinforcement in cap to miss anchor bolts.
4. The Steel H-Piles shall be according to AASHTO M270 Grade 50.
5. The test pile shall be driven to 110 percent of the Nominal Required Bearing indicated in the pile data information.



PIER, NORTHBOUND

INTERSTATE 57 OVER
WEST MAIN ST. (OLD IL RT. 13)
F.A.I. RT. 57 SEC. (X1-6)HBK-2
WILLIAMSON COUNTY
STATION 1529+96.11
STRUCTURE NO. 100-0084 (N.B.)
STRUCTURE NO. 100-0085 (S.B.)

PILE DATA
Type: HP12x53
Nominal Req'd Bearing: 420k
Allowable Resistance Available: 140k
Est. Length: 20'
No. Req'd: 25 + 1 Test Pile

DESIGNED BY: SHM
DRAWN BY: MEW
CHECKED BY: SLD
APPROVED BY: SHM

PROJECT NO.: 102314
DATE: 05/28/06

ACTIVITY: INITIALS

DRAWING NUMBER
S-23

For Section P-P and Bill of Material see Dwg. S-25