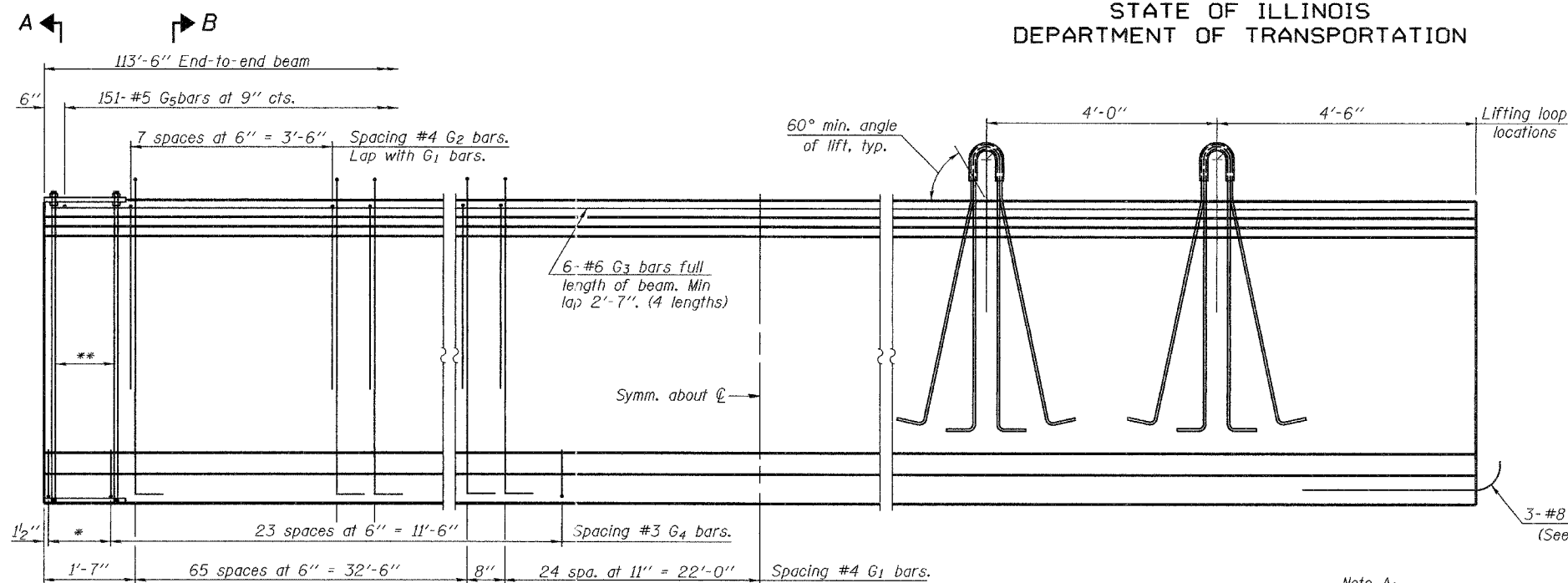


STATE OF ILLINOIS
DEPARTMENT OF TRANSPORTATION

ROUTE NO.	SECTION	COUNTY	DATE	SHEET NO.	SHEET NO. 14
F.A.P. 857	101BR-6	WHITE	1006	33	27 SHEETS
FED. ROAD DIST. NO. 7	ILLINOIS	FED. AID PROJECT			

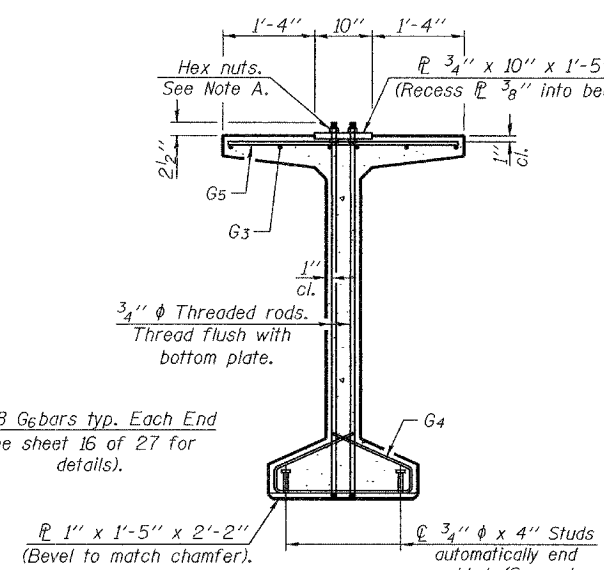
Contract #98960



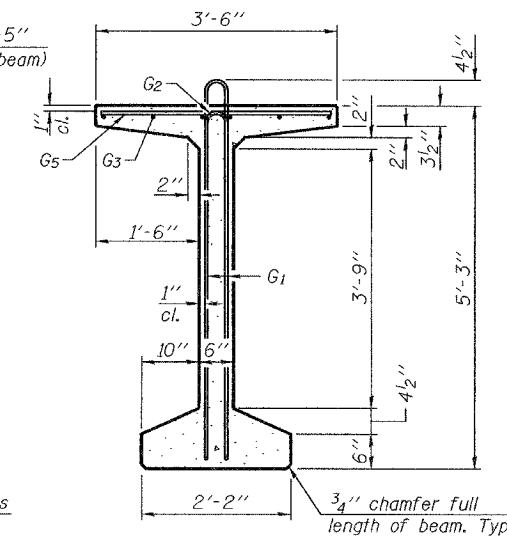
ELEVATION OF BEAM
(Showing reinforcement & dimensions)

*4 spaces at 3'-4" = 1'-1".
**5-3/4" φ threaded dowel rods at 3'-4" cts., each face.

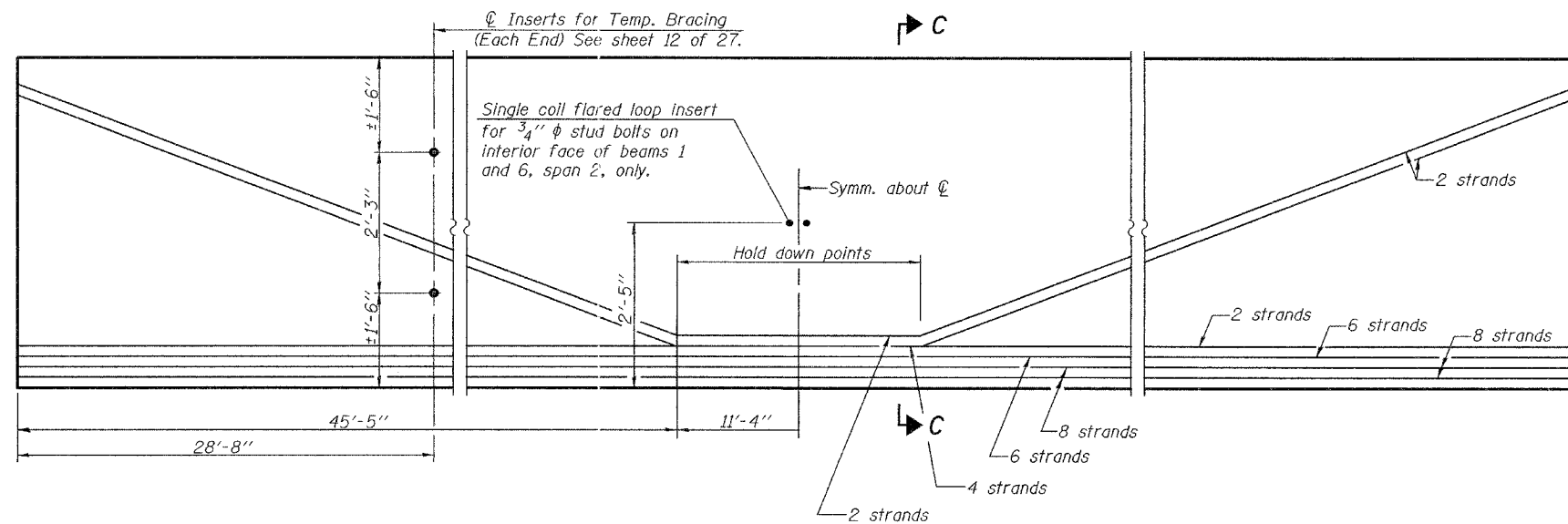
Note A:
Hex nuts (top and bottom) with lock washers (top). Only tighten sufficiently to compress lock washers.



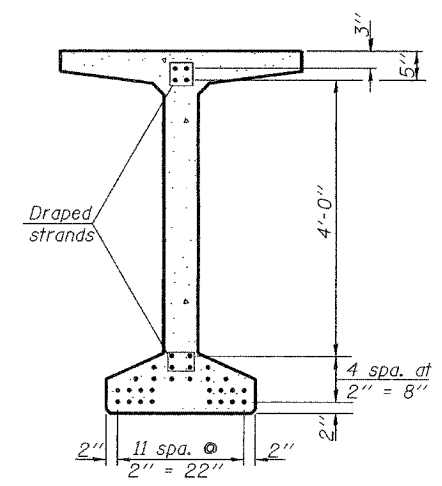
SECTION A-A



SECTION B-B



ELEVATION OF BEAM
(Showing prestressing steel)



SECTION C-C

*****BAR LIST
ONE BEAM ONLY**

Bar	No.	Size	Length	Shape
G1	182	#4	11'-11"	U
G2	16	#4	6'-2"	U
G3	24	#6	30'-4"	U
G4	56	#3	4'-11"	U
G5	151	#5	3'-4"	U
G6	6	#8	3'-9"	U

***For information only.

Notes:
See sheet 16 of 27 for additional details and Bill of Material.
Required release strength, f'ci, shall be 5000 psi.

DESIGNED Daniel H. Tobias
CHECKED W. A. Beisner
DRAWN R. Sommer
CHECKED WAB/FT

December 4, 2006
EXAMINED Thomas J. Domagalaki
PASSED Ralph E. Anderson

**63" PPC BULB T-BEAM
DETAILS-SPAN 2 & 3
F.A.P. RT. 857 SEC. 101BR-6
WHITE COUNTY
STATION 171+58.50
STRUCTURE NO. 097-0071**