

F.A. RTE.	SECTION	COUNTY	TOTAL SHEETS	SHEET NO.
..	..	..	24	19
STA.		TO STA.		
FED. ROAD DIST. NO.		ILLINOIS FED. AID PROJECT		
•FAP 331 & FAP 776 ••10IRS-5;(114Z)RS-3 •••JACKSON & HAMILTON COS.				

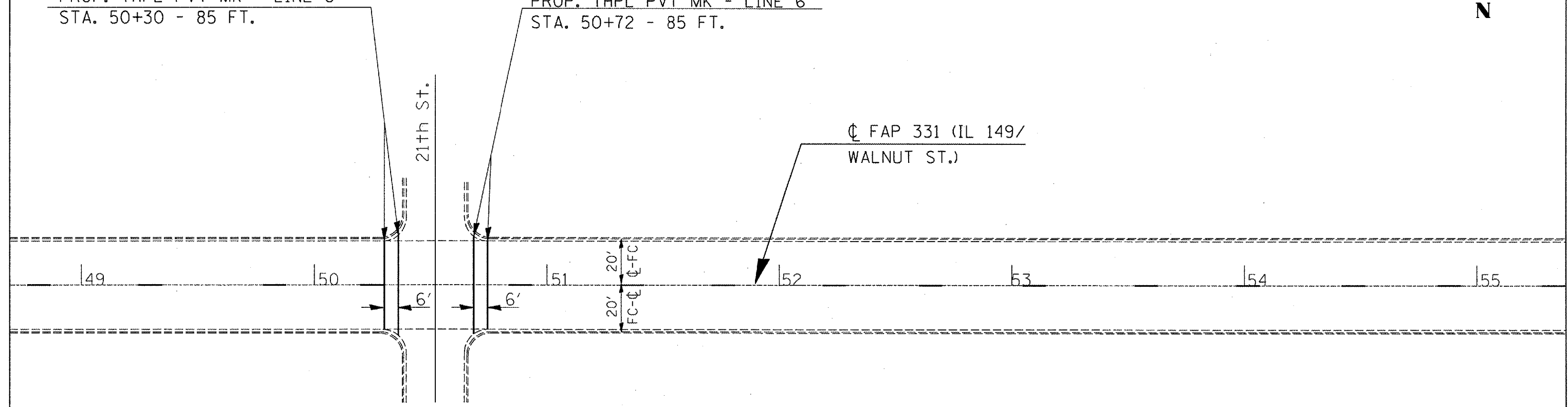
NOT TO SCALE



PROP. THPL PVT MK - LINE 6"  
STA. 50+30 - 85 FT.

PROP. THPL PVT MK - LINE 6"  
STA. 50+72 - 85 FT.

☪ FAP 331 (IL 149/  
WALNUT ST.)



PLOT DATE = 12/12/2006  
 FILE NAME = s:\proj\secta\98987\98987pl.mxd  
 PLOT SCALE = 42.3528 / IN.  
 USER NAME = maceda

Rev. 2-20-07