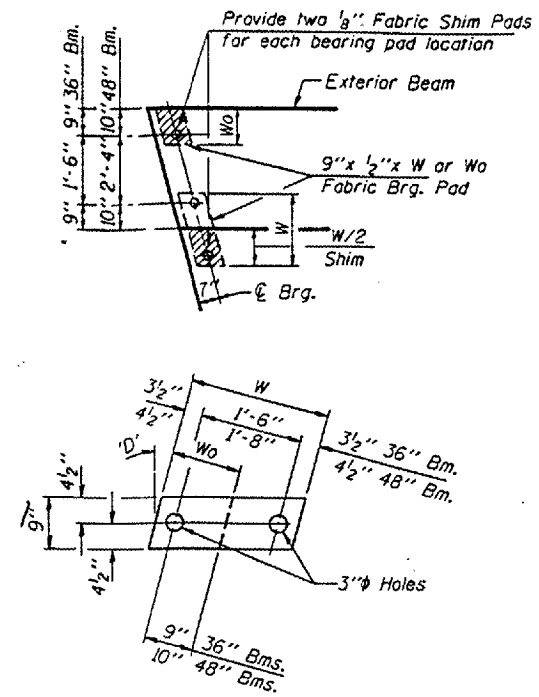
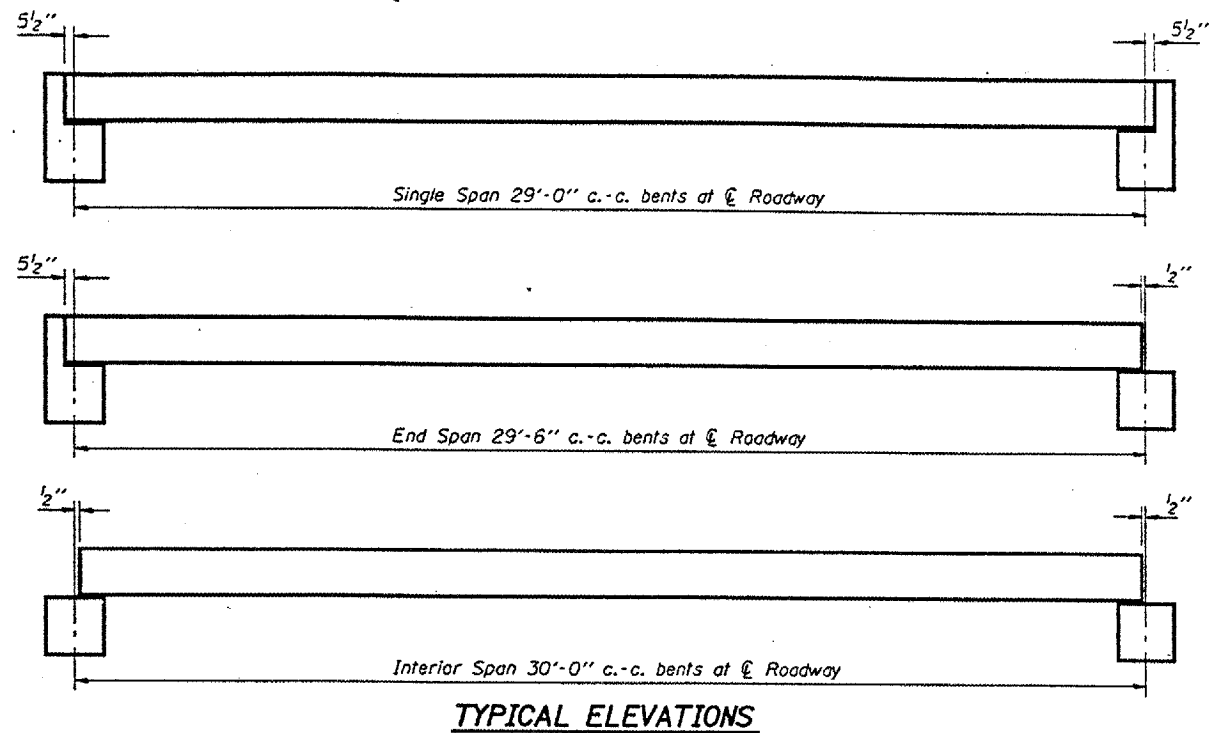
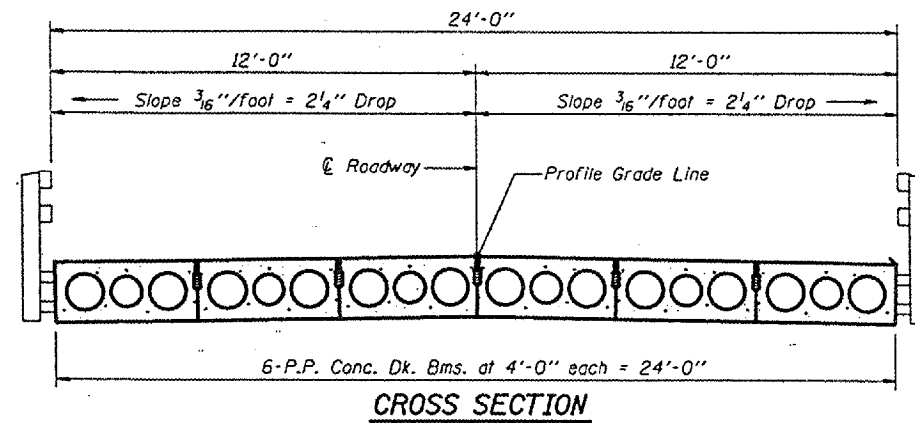
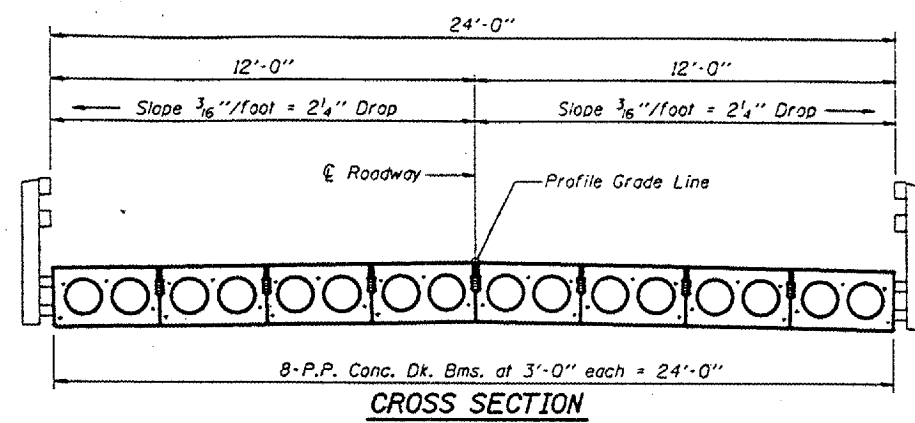


ROUTE	SECTION	COUNTY	TOTAL SHEETS	SHEET NO.
TR 110	83-01171-00-BR	MASSAC	15	5
PROJECT NO. BR-OS-127(12)			CONTRACT NO. 99282	

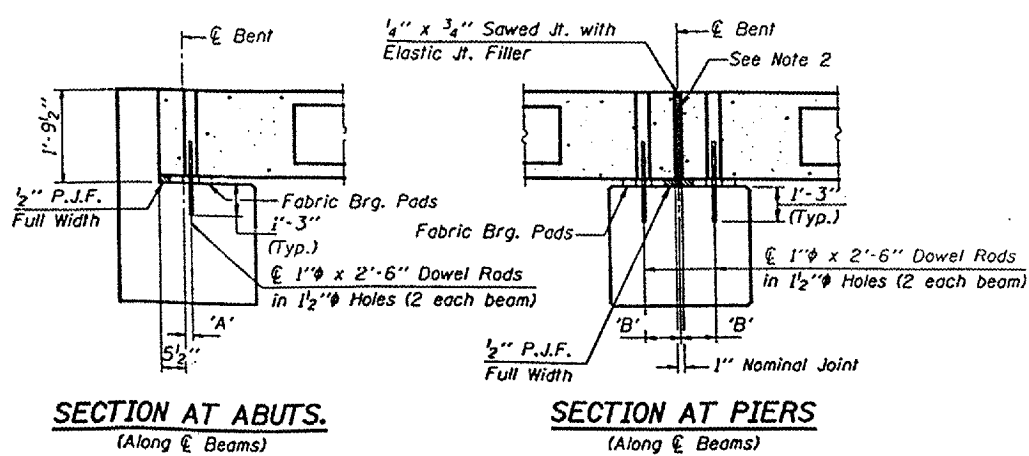
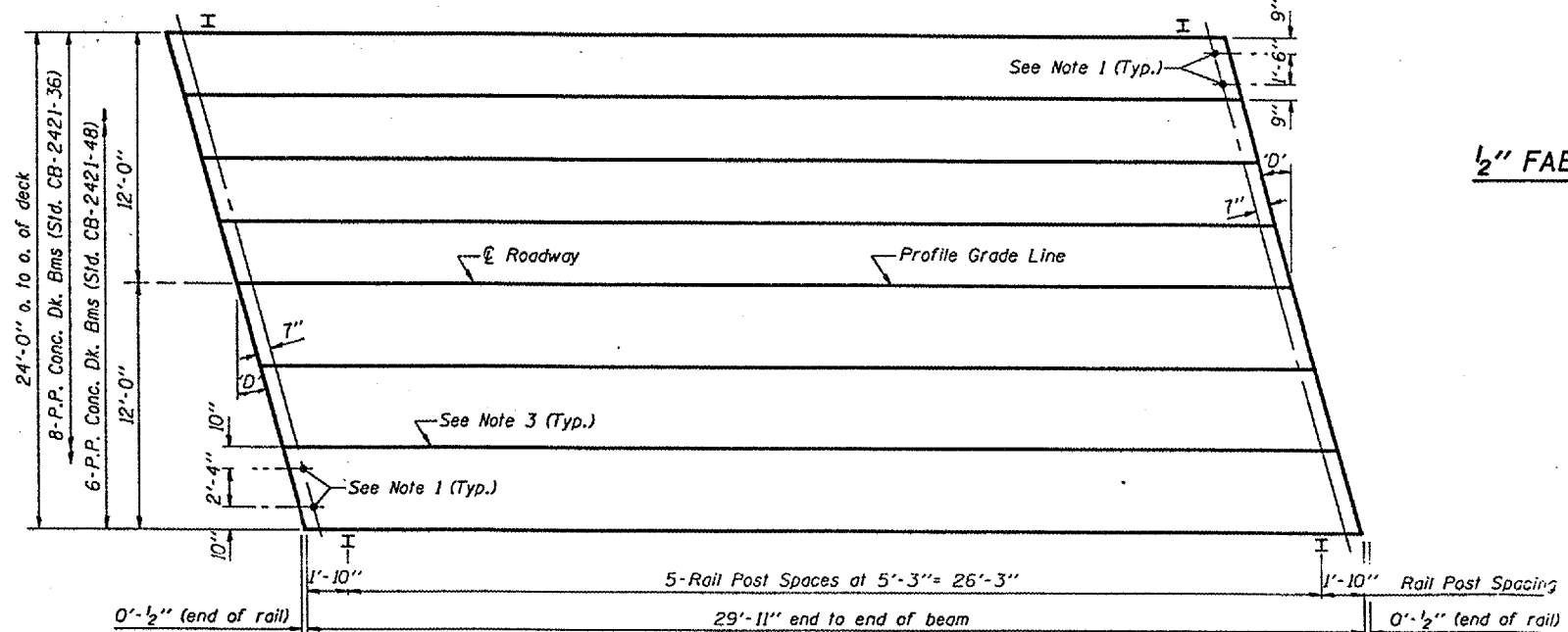


Beam	W	Wo
36"	2'-1"	1'-0 1/2"
48"	2'-5"	1'-2 1/2"



DIMENSIONS 'A' AND 'B'

'D'	5°	10°	15°	20°	25°	30°
A	1 1/2"	1 3/8"	1 3/4"	1 7/8"	2 1/8"	2 3/8"
B	7 1/2"	7 3/8"	7 3/4"	8"	8 1/4"	8 3/8"



QUANTITIES FOR ONE SPAN

P.P. Conc. Dk. Bm. 21" Dp.	720 Sq. Ft.
Steel Railing, Type S-1	60 Ft.

DESIGNED	JSB
CHECKED	JFS
DRAWN	SMS
CHECKED	JSB

- NOTES**
- After beams have been erected, holes shall be drilled into substructure and anchor dowels placed. Dowel holes shall be filled with non-shrink grout to top of beam and allowed to cure min. 24 hrs. prior to grouting the shear keys.
 - Nominal 1" joint at $\text{\textcircled{C}}$ Pier shall be filled with non-shrink grout.
 - Longitudinal keys shall be grouted.

SUPERSTRUCTURE SPAN 1 & 3
TOWNSHIP ROUTE 110
SEVENMILE CREEK
SECTION 83-01171-00-BR
MASSAC COUNTY