

BL061

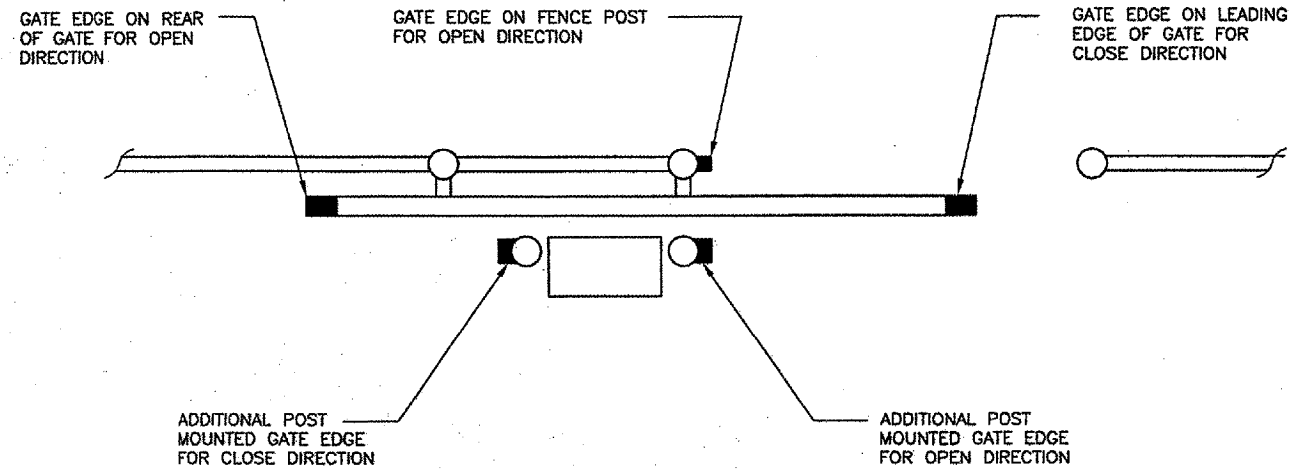
K:\Bloomington\0808503\Draw\Sheets\
 FILE: 17_FENCEDETAILS4.dwg
 UPDATE BY: adraughan
 SURVEY BOOK #
 DATE: Tue 1/9/07 12:06pm
 XREF DWG: Cintinfo.dwg

IMAGE FILES: Contact Sensor.jpg

REVISIONS

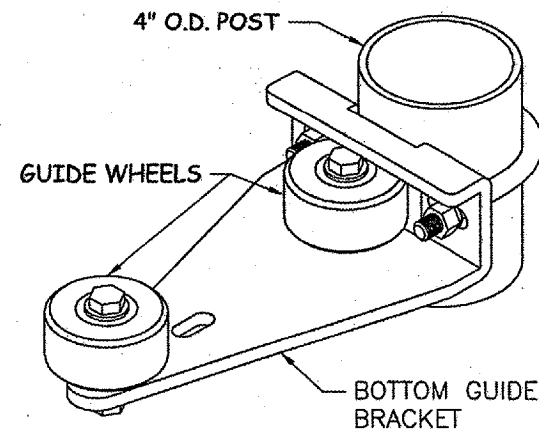
NUMBER	BY	DATE

0 1 2
 THIS BAR IS EQUAL TO 2"
 AT FULL SCALE (3/4X22).

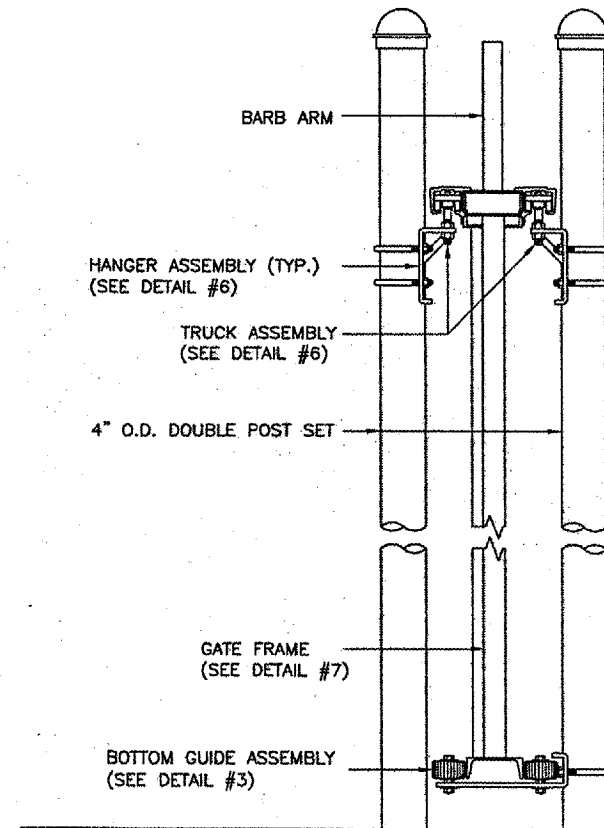


SECONDARY GATE OPERATOR ENTRAPMENT PROTECTION CONTACT SENSORS

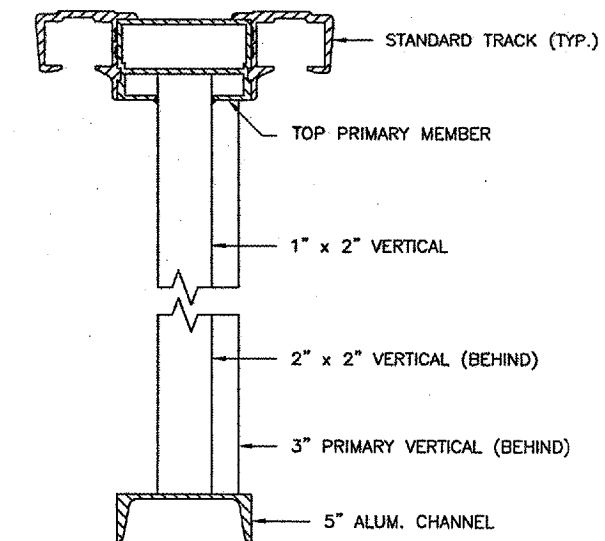
N.T.S.



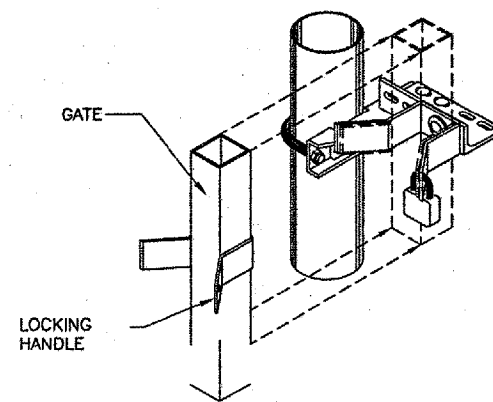
3
5 **BOTTOM GUIDE**
 N.T.S.



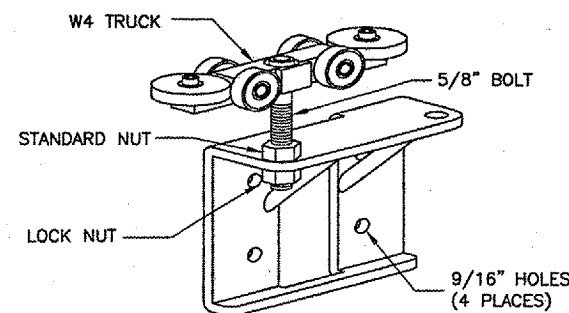
4
5 **ASSEMBLY SECTION**
 N.T.S.



7
5 **GATE FRAME SECTION**
 N.T.S.



5
5 **CATCH ASSEMBLY**
 N.T.S.



6
5 **GATE HANGER ASSEMBLY**
 N.T.S.

CANTILEVER SLIDE GATE DETAILS

**BLOOMINGTON-NORMAL AIRPORT AUTHORITY
 CENTRAL ILLINOIS REGIONAL AIRPORT
 BLOOMINGTON, ILLINOIS**

UPGRADE PERIMETER FENCE PHASE 1

FENCE DETAILS 4

© Copyright CMT, Inc.
CMT
 CRANFORD, MURPHY & TILLY, INC.
 CONSULTING ENGINEERS
 License No. 184-000618

DESIGN BY: CBG
 DRAWN BY: CMT
 CHECKED BY: *RW*
 APPROVED BY: *RW*
 DATE: 1/12/2007
 JOB No: 06085-03-00
 ILLINOIS PROJECT BMI-3653
 A.I.P. PROJECT 3-17-0006-47
 SHEET 17 OF 26 SHEETS