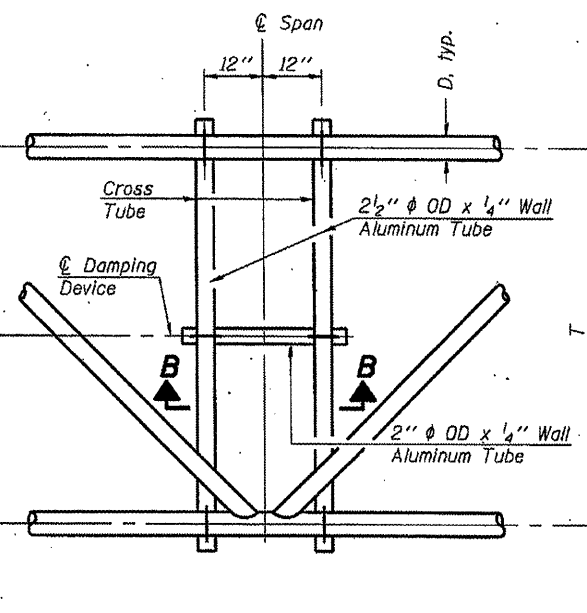
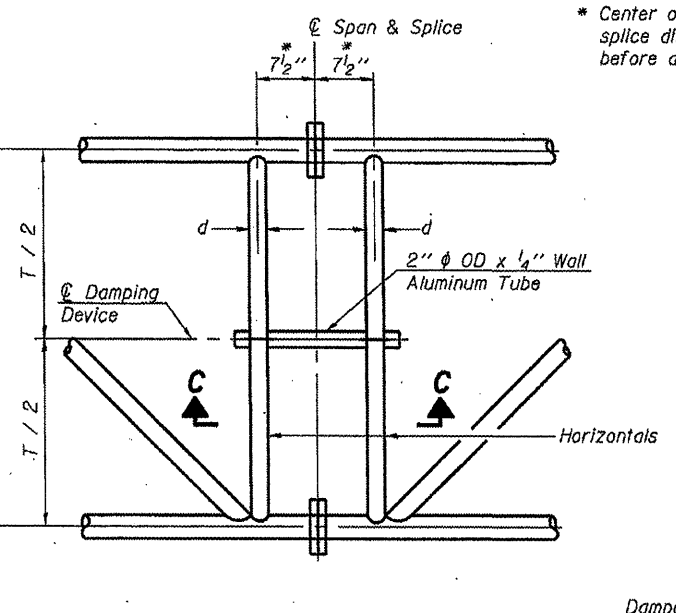


PLAN DETAIL "A"
 @ Span between Panel Points



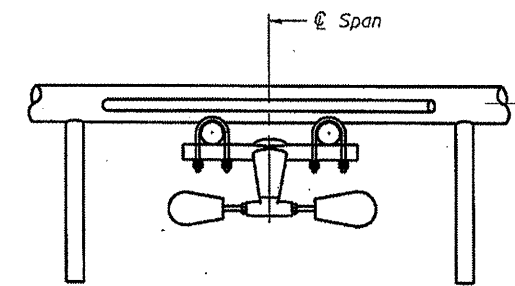
PLAN DETAIL "B"
 @ Span at Panel Point



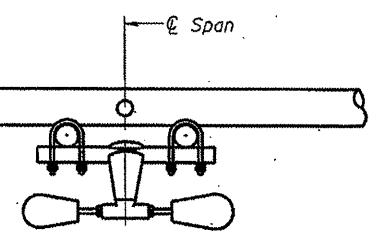
PLAN DETAIL "C"
 @ Span at @ Chord Splice

* Center of horizontal to center of splice dimension may vary. Verify before drilling holes in mounting tube.

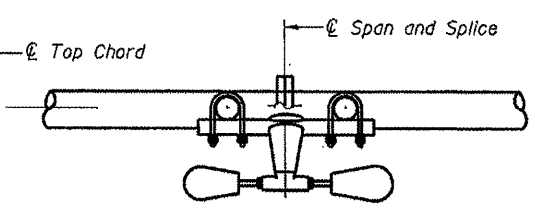
NOTES
 Damper: One damper per truss. (31 lbs. minimum Stockbridge-Type Aluminum - 29" minimum between ends of weights) Cost included in Overhead Sign Structure...
 Materials: Materials: Aluminum tubes shall be ASTM B221 alloy 6061 temper T6. Cost included in Overhead Sign Structure...



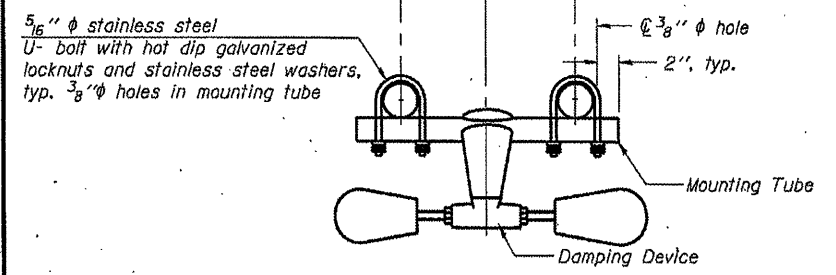
SECTION A-A



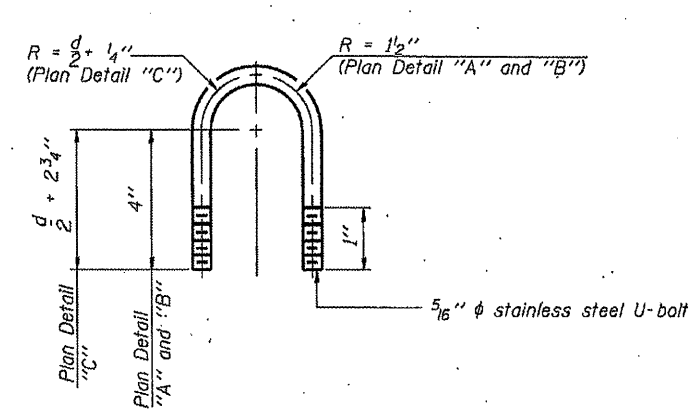
SECTION B-B



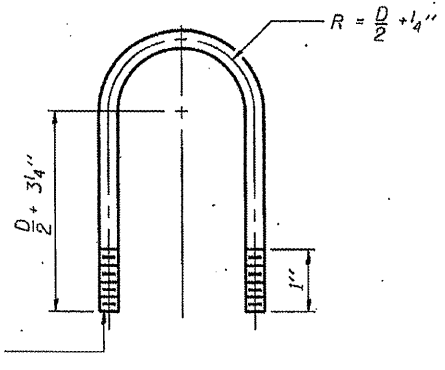
SECTION C-C



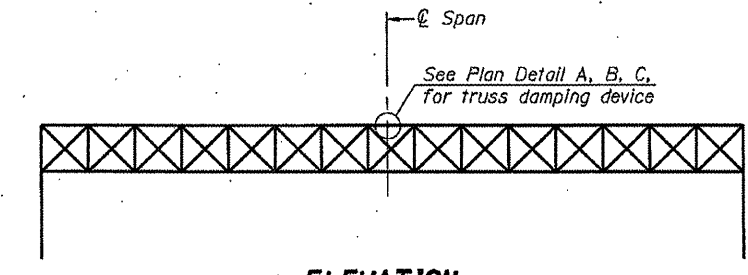
TRUSS DAMPING DEVICE CONNECTION DETAIL
 (Typical)



DAMPING DEVICE MOUNTING TUBE U-BOLT DETAIL
 (Typical)



TOP CHORD TO CROSS TUBE U-BOLT DETAIL
 (Typical - Detail "A" and "B")



ELEVATION
 Aluminum Overhead Sign Truss

OS-A-D

1-20-11

FILE NAME *	USER NAME *	DESIGNED -	REVISOR -
		CHECKED -	REVISOR -
PLOT SCALE *		DRAWN -	REVISOR -
PLOT DATE *		CHECKED -	REVISOR -

STATE OF ILLINOIS
 DEPARTMENT OF TRANSPORTATION

OVERHEAD SIGN STRUCTURE
 DAMPING DEVICE

F.A. RTE.	SECTION	COUNTY	TOTAL SHEETS	SHEET NO.
Various	D-9 DVD SIN STR REPL 12-12	Various	17	8
			CONTRACT NO. 46185	
ILLINOIS FED. AID PROJECT				