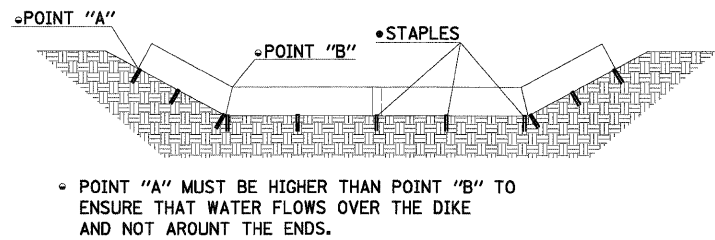
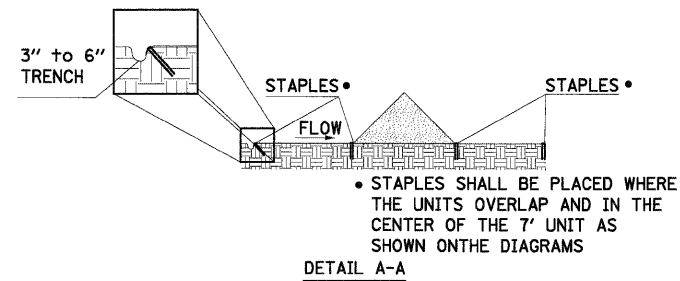
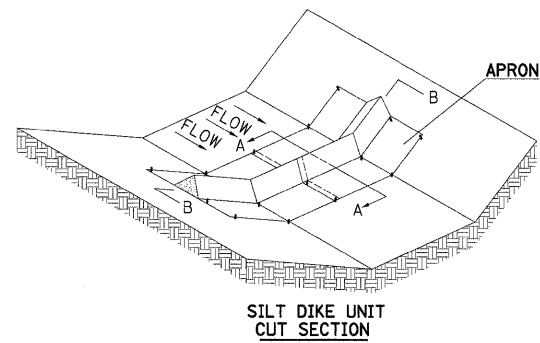
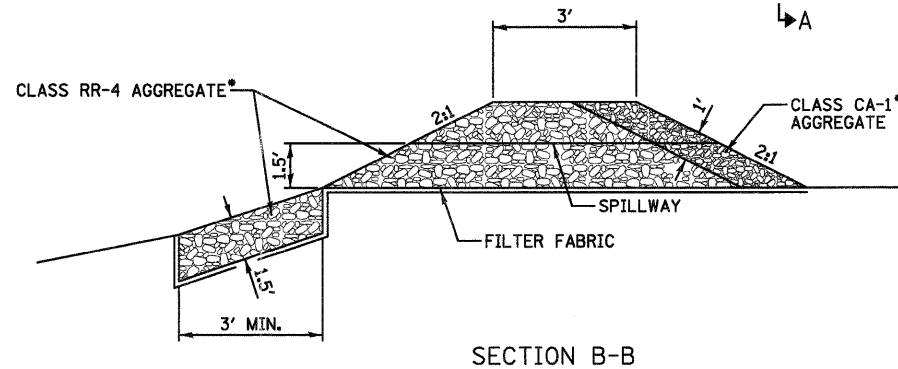
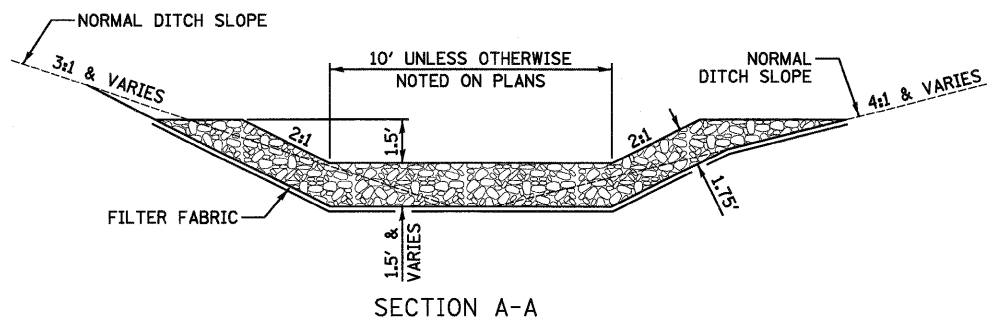


**TEMPORARY DITCH CHECKS (SPECIAL)
(TRIANGULAR SILT DIKE)**

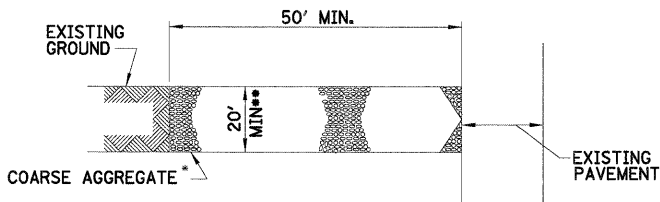


- NOTES:
1. SPACING SHALL HAVE 1 DIKE PER VERTICAL FOOT DROP
 2. TEMPORARY DITCH CHECK SHALL BE LIMITED TO TRIANGULAR SILT DIKES OR AN APPROVED EQUAL.
 3. THE INSTALLATION SHOWN ABOVE SHALL BE PAID FOR AS 2 EACH.

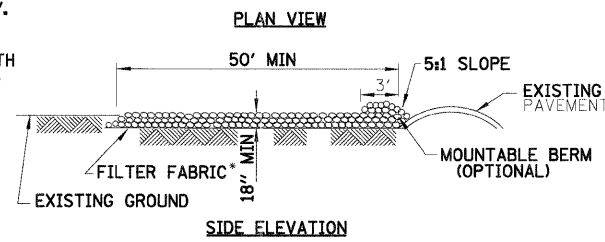


SEDIMENTATION BASIN DETAIL

*PAID FOR AS "AGGREGATE (EROSION CONTROL)".

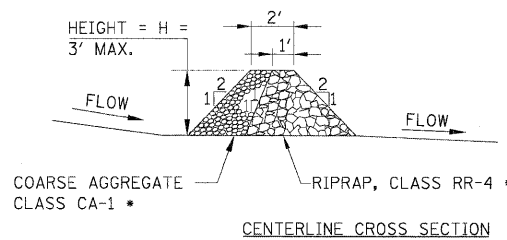


- PAID FOR AS "STABILIZED CONSTRUCTION ENTRANCE".
- MUST EXTEND FULL WIDTH OF INGRESS AND EGRESS OPERATION.



STABILIZED CONSTRUCTION ENTRANCE

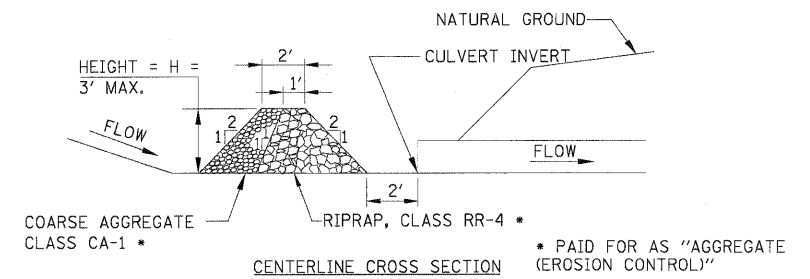
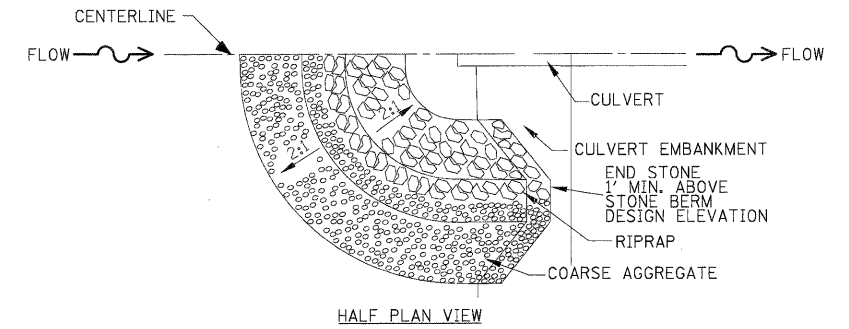
NOT TO SCALE



ROCK BARRIER

NOT TO SCALE

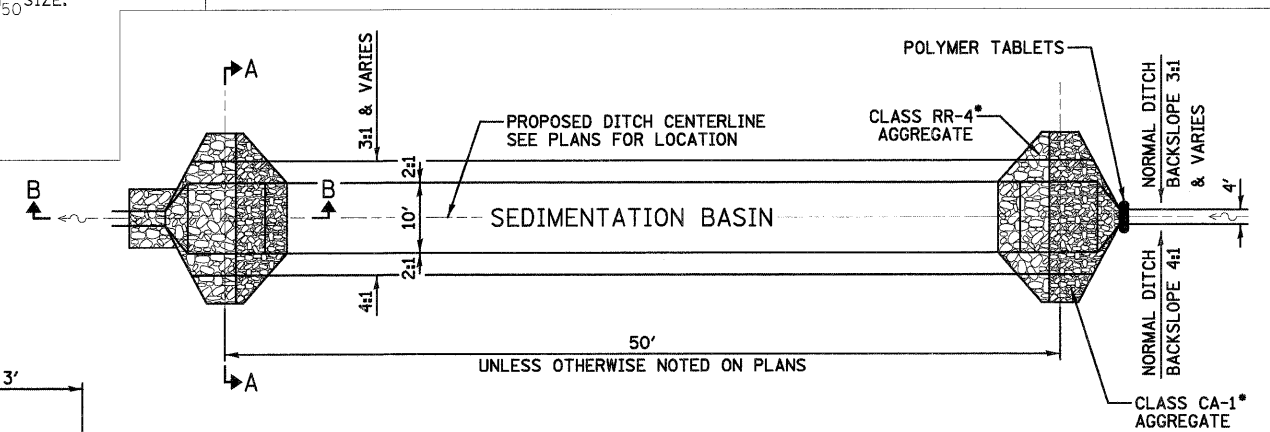
- NOTES:
1. RIPRAP SHALL CONSIST OF A WELL-GRADED MIXTURE OF ROCK. LARGE ROCK SHALL PREDOMINATE WITH SUFFICIENT SMALLER SIZES TO FILL VOIDS BETWEEN ROCK LAYERS. THE DIAMETER OF LARGEST ROCK SIZE SHALL NOT BE GREATER THAN 1.5 TIMES THE d_{50} SIZE.
 2. MAINTENANCE AND ADJUSTMENT OF ROCK SHALL BE INCLUDED IN THE COST OF MAINTENANCE OF TEMPORARY EROSION CONTROL SYSTEMS.



CULVERT INLET PROTECTION - ROCK BARRIER

NOT TO SCALE

- NOTES:
1. STONE BERM SHALL BE A HORSESHOE SHAPE AROUND UPSTREAM CULVERT INLET END.
 2. RIPRAP SHALL CONSIST OF A WELL-GRADED MIXTURE OF ROCK. LARGE ROCK SHALL PREDOMINATE WITH SUFFICIENT SMALLER SIZES TO FILL VOIDS BETWEEN ROCK LAYERS. THE DIAMETER OF LARGEST ROCK SIZE SHALL NOT BE GREATER THAN 1.5 TIMES THE d_{50} SIZE.
 3. MAINTENANCE AND ADJUSTMENT OF ROCK SHALL BE INCLUDED IN THE COST OF MAINTENANCE OF TEMPORARY EROSION CONTROL SYSTEMS.



THE UNIT WEIGHT USED TO CALCULATE RR-4 STONE IS 150 POUNDS/CU FT.

THE UNIT WEIGHT USED TO CALCULATE CA-1 AGGREGATE IS 150 POUNDS/CU FT.

FILE NAME = ...\\0162F7B-sht-eros-detail.dgn	USER NAME = ctb	DESIGNED - RJD	REVISED -	STATE OF ILLINOIS DEPARTMENT OF TRANSPORTATION	EROSION AND SEDIMENT CONTROL DETAILS	F.A. RTE.	SECTION	COUNTY	TOTAL SHEETS	SHEET NO.
		DRAWN - RJD	REVISED -			18A-1	McHENRY	115	36	
		CHECKED - RJD	REVISED -			CONTRACT NO. 60F78				
		DATE - 1/20/2012	REVISED -			ILLINOIS FED. AID PROJECT				
SCALE: NONE						SHEET NO. 12 OF 12 SHEETS	STA.	TO STA.		