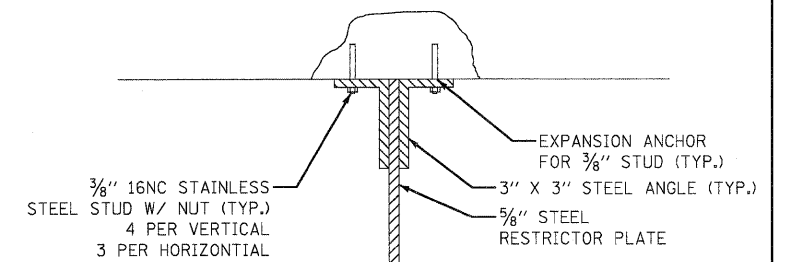


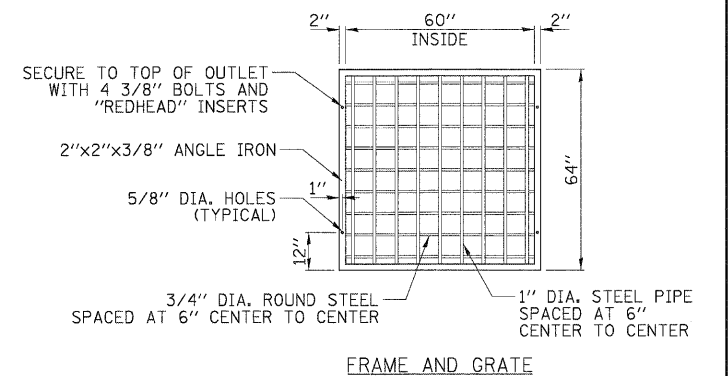
TOTAL BOLTS REQUIRED: 22

- NOTE:
1. ANGLES SHOULD BE 3" X 3" X 5/8"
 2. VERTICAL ANGLES SHOULD EXTEND FROM BOTTOM OF THE RESTRICTOR PLATE TO THE TOP.
 3. HORIZONTAL ANGLES SHOULD EXTEND FROM VERTICAL ANGLE TO VERTICAL ANGLE

STEEL ANGLE BOLTING DETAILS



- NOTE:
1. ALL STEEL ANGLES AND PLATES TO BE GALVANIZED AFTER FABRICATION
 2. ALL RESTRICTOR PLATES, ANGLES, FRAME AND GRATE, AND HARDWARE TO BE INCLUDED IN THE COST OF THE MANHOLE
 3. BASIS OF PAYMENT: "DETENTION BASIN OUTLET STRUCTURE" PER EACH



DETENTION BASIN OUTLET STRUCTURE DETAIL
NOT TO SCALE

FILE NAME = ...\\D160F78-shd-drain-detail.dgn	USER NAME = ctb	DESIGNED - CTB	REVISED -	STATE OF ILLINOIS DEPARTMENT OF TRANSPORTATION	DRAINAGE DETAILS			F.A. RTE.	SECTION	COUNTY	TOTAL SHEETS	SHEET NO.
		DRAWN - CTB	REVISED -		SCALE: NONE	SHEET NO. 12 OF 13 SHEETS	STA.	TO STA.	18A-1	McHENRY	115	48
		CHECKED - GAB	REVISED -					CONTRACT NO. 60F78				
		DATE - 1/20/2012	REVISED -									