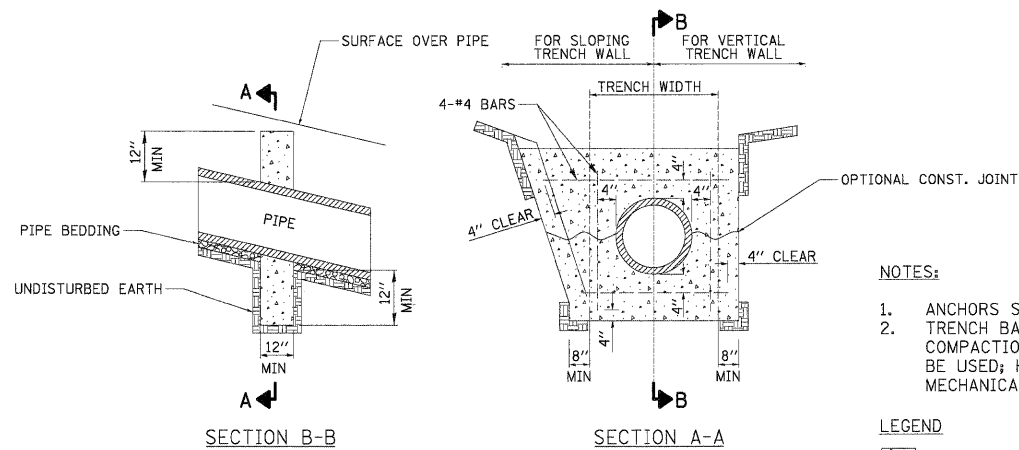


| STRUCTURES | A | ELBOW | B | ELBOW | C | END STRUCTURE | THRUST BLOCK DIM. |
|------------|-------|-------|-------|-------|------|---------------|-------------------|
| 3 TO 4 | 4.2' | 18° | 92.0' | 18° | 5.0' | CB | 42" X 42" X 42" |
| 6 TO 7 | 10.2' | 18° | 79.1' | 18° | 6.6' | FES | 24" X 24" X 24" |

NOTES:
 1. PIPE SECTIONS A & C ARE TO BE CONSTRUCTED AT A 0.30% SLOPE

SLOPE DRAIN DETAIL

NOT TO SCALE



NOTES:

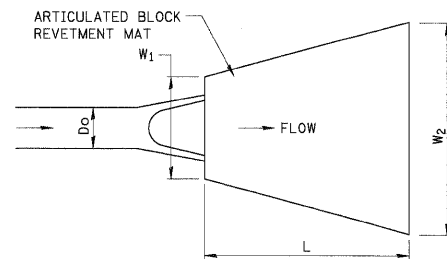
- ANCHORS SHALL BE CLASS SI CONCRETE.
- TRENCH BACKFILL SHALL BE CONSOLIDATED BY MECHANICAL COMPACTION. IN LIEU OF MECHANICAL COMPACTION, SOIL CEMENT MAY BE USED; HOWEVER, THE TOP 12" OF BACK FILL SHALL BE NATIVE SOIL, MECHANICALLY COMPACTED.

LEGEND

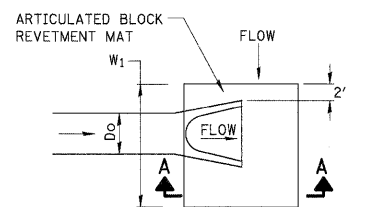
CLASS SI CONCRETE

CONCRETE ANCHORS DETAIL

NOT TO SCALE



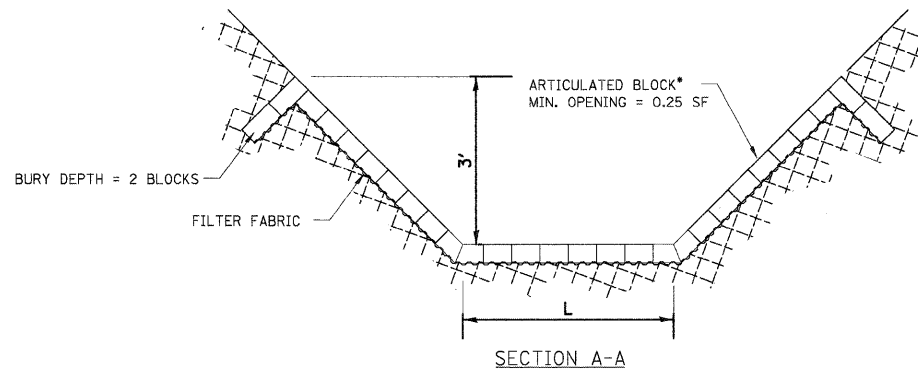
NO DEFINED CHANNEL



DEFINED CHANNEL

| ARTICULATED BLOCK REVETMENT MAT DETAILS | | | | | | | | | | |
|---|--------|-----------|----------------------|----------------|-----------------|-----------|-----------|----------|--------------------|--|
| STRUCTURE NUMBER | STA. | LOCATION | | PIPE SIZE (IN) | DEFINED CHANNEL | W1 (FEET) | W2 (FEET) | L (FEET) | QUANTITY (SQ. YD.) | |
| | | OFFSET | NORTHING EASTING | | | | | | | |
| 5 | 137+23 | 193' LT. | 2004980.35 994257.86 | 30 | NO | 9 | 17 | 15 | 22 | |
| 7 | 141+75 | 133.7' LT | 2005391.79 994454.27 | 24 | YES | 14 | - | 4 | 7 | |
| 9 | 150+50 | 69.5' LT | 2006203.94 994786.35 | 12 | YES | 8 | - | 4 | 4 | |
| 11 AND 12 * | 159+50 | 97.0' RT | 2006705.66 995490.87 | 18 | NO | 18 | - | 33 | 63 | |
| 13 | 159+52 | 132.5' LT | 2006921.25 995427.09 | 24 | YES | 14 | - | 4 | 7 | |

* SEE DRAINAGE PLAN SHEET FOR LAYOUT.



SECTION A-A

ARTICULATED BLOCK REVETMENT MAT DETAIL

NOT TO SCALE