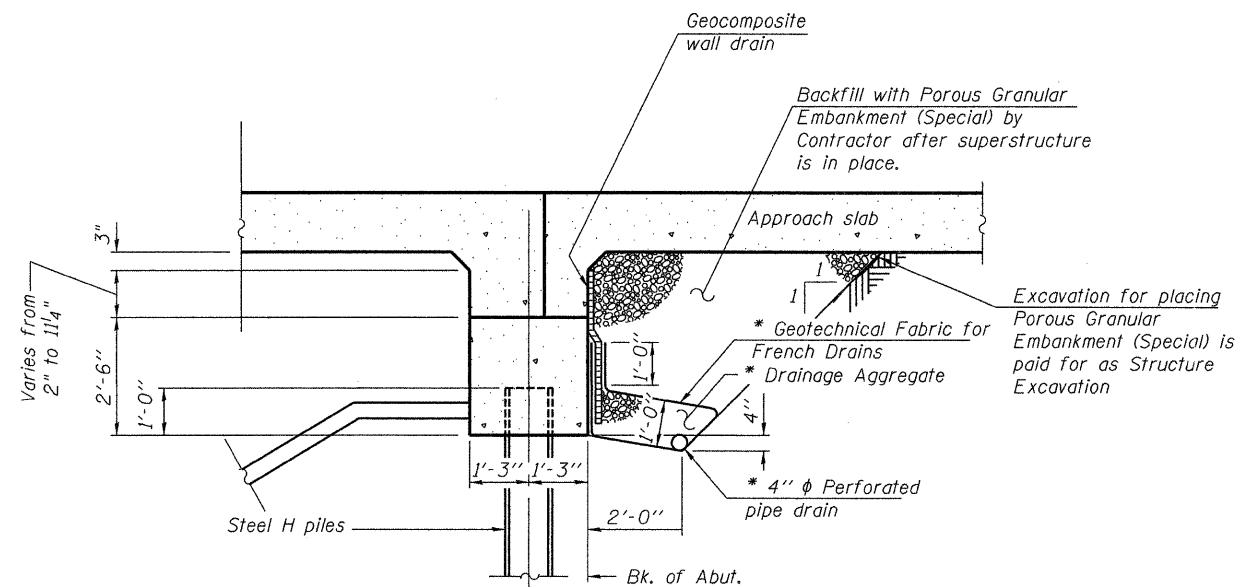


PLAN



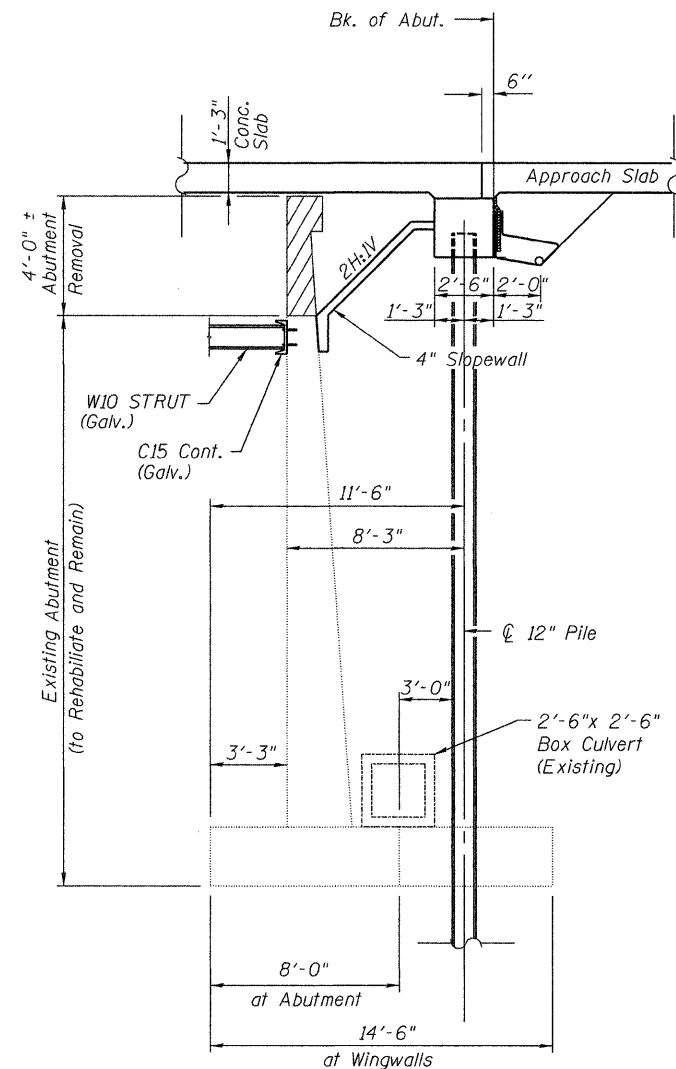
SECTION THRU INTEGRAL ABUTMENT

(Horiz. dim. @ Rt. L's)

* Included in the cost of Pipe Underdrains for Structures 4"

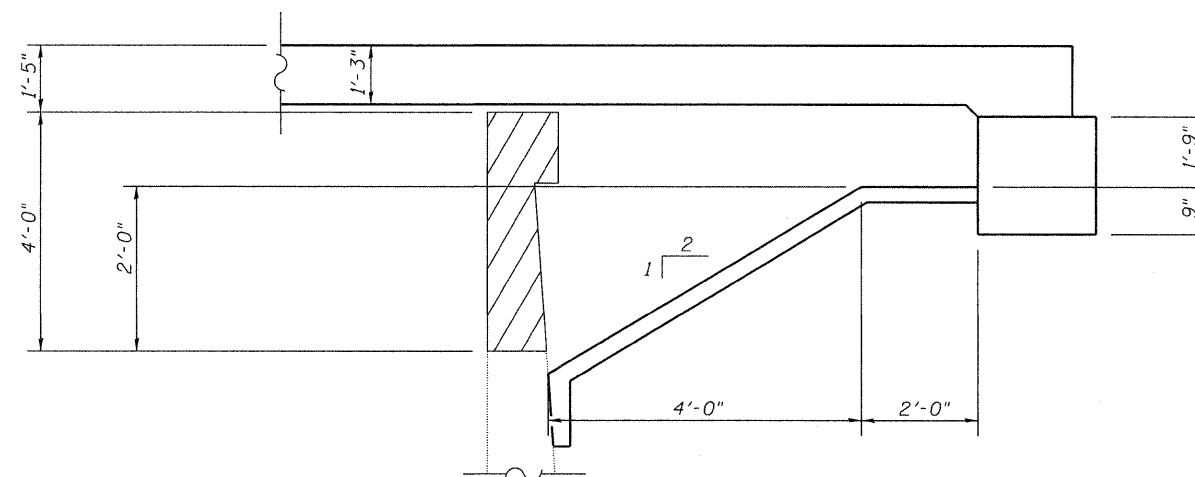
Note:

All drainage system components shall extend to 2'-0" from the end of each wingwall except an outlet pipe shall extend until intersecting with the side slopes. The pipes shall drain into concrete headwalls. (See Article 601.05 of the Standard Specifications and Highway Standard 601101).



SECTION THRU EXISTING & PROPOSED ABUTMENT

Note: Contractor may elect to core 12" Holes for piling if existing footing or box culvert is encountered.



SLOPE WALL DETAIL