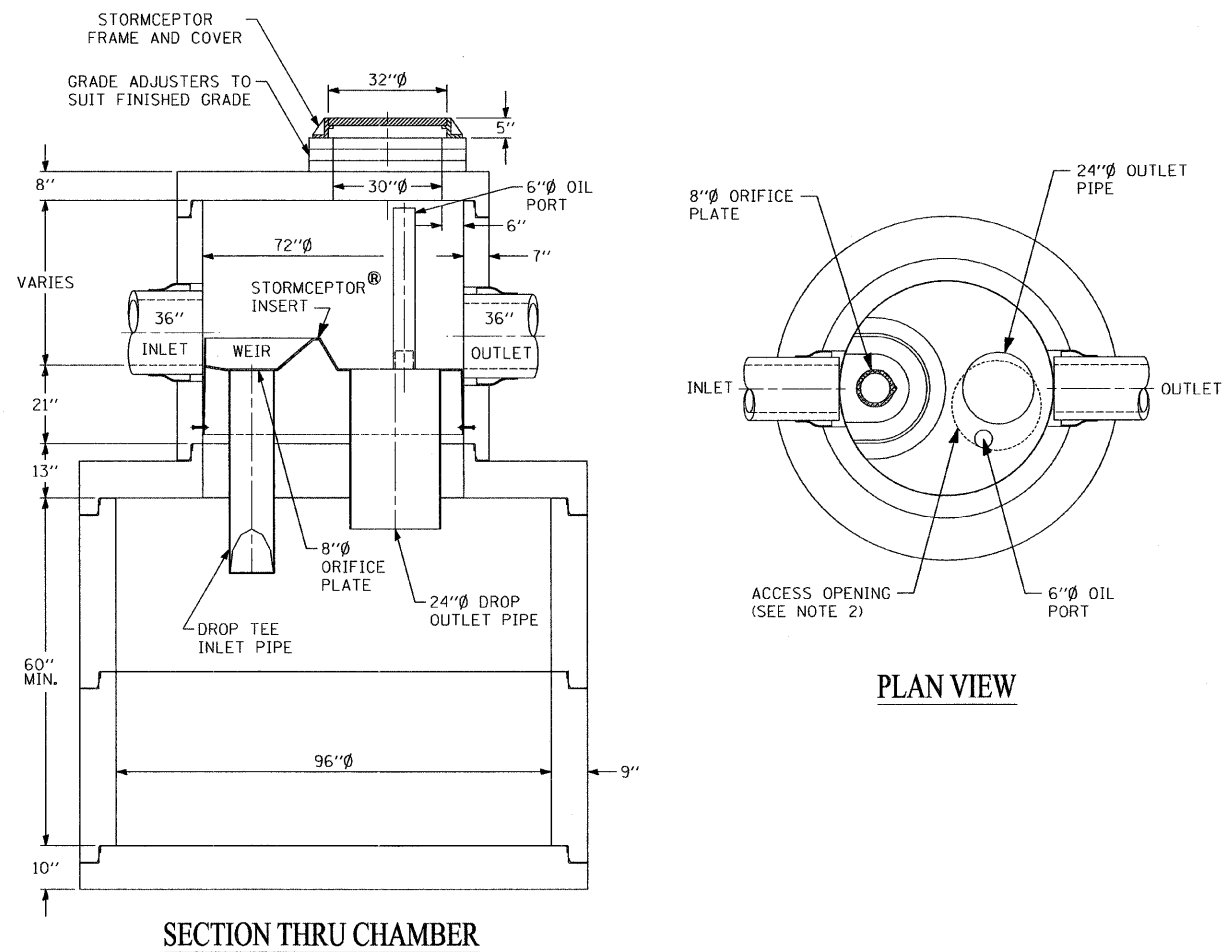


2,400 GALLON CAPACITY



Notes:

1. THE USE OF FLEXIBLE CONNECTION IS RECOMMENDED AT THE INLET AND OUTLET WHERE APPLICABLE.
2. THE COVER SHOULD BE POSITIONED OVER THE OUTLET DROP PIPE AND THE OIL PORT.
3. THE STORMCEPTOR SYSTEM IS PROTECTED BY ONE OR MORE OF THE FOLLOWING U.S. PATENTS: \*4985148, \*5498331, \*5725760, \*5753115, \*5849181, \*6068765, \*6371690.
4. CONTACT A CONCRETE PIPE DIVISION REPRESENTATIVE FOR FURTHER DETAILS NOT LISTED ON THIS DRAWING.

FILE NAME =	USER NAME = .USER.	DESIGNED - EF	REVISED -	<b>STATE OF ILLINOIS DEPARTMENT OF TRANSPORTATION</b>	<b>ASHLAND AVE. (THORNTON RD. - BROADWAY ST.) STORMWATER TREATMENT SYSTEM DETAIL</b>	F.A.U. RTE.	SECTION	COUNTY	TOTAL SHEETS	SHEET NO.	
#FILEL#		DRAWN - EF	REVISED -			2857	2011-054-1	COOK	81	67	
	PLOT SCALE = 50.0000 ' / IN.	CHECKED - RS	REVISED -			CONTRACT NO. 60P64					
	PLOT DATE = 12/28/2011	DATE - 12-28-2011	REVISED -			ILLINOIS FED. AID PROJECT					
				SCALE: 1"=50'	SHEET 1 OF 1 SHEETS	STA.	TO STA.				