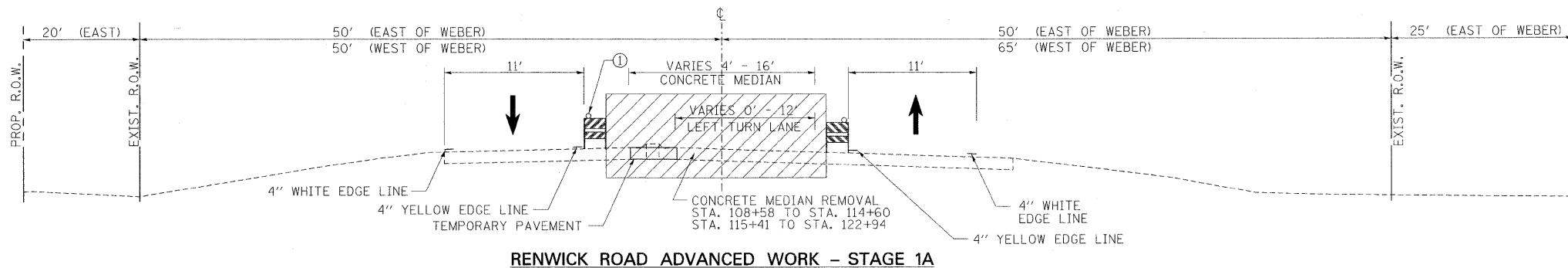


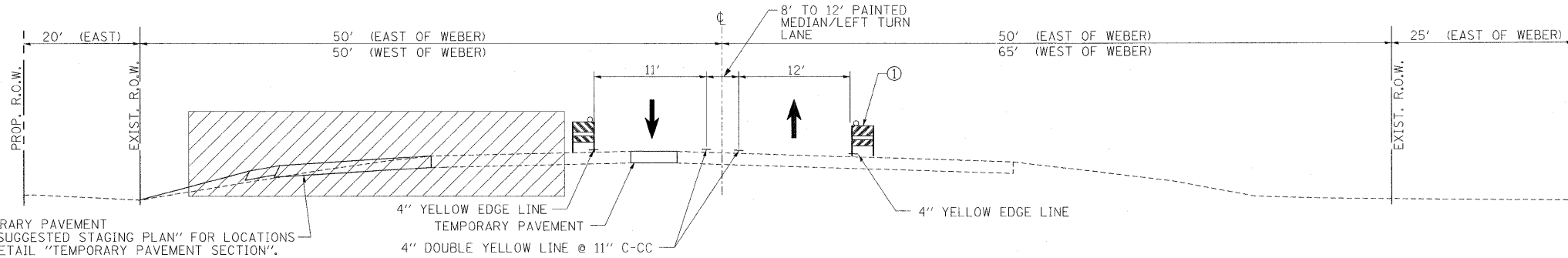
F.A.P. RTE.	SECTION	COUNTY	TOTAL SHEETS	SHEET NO.
856	01-00170-26-TL	WILL	171	33
STA.		TO STA.		
FED. ROAD DIST. NO.		ILLINOIS	FED. AID PROJECT	
CONTRACT NO: 63570				

GENERAL NOTES

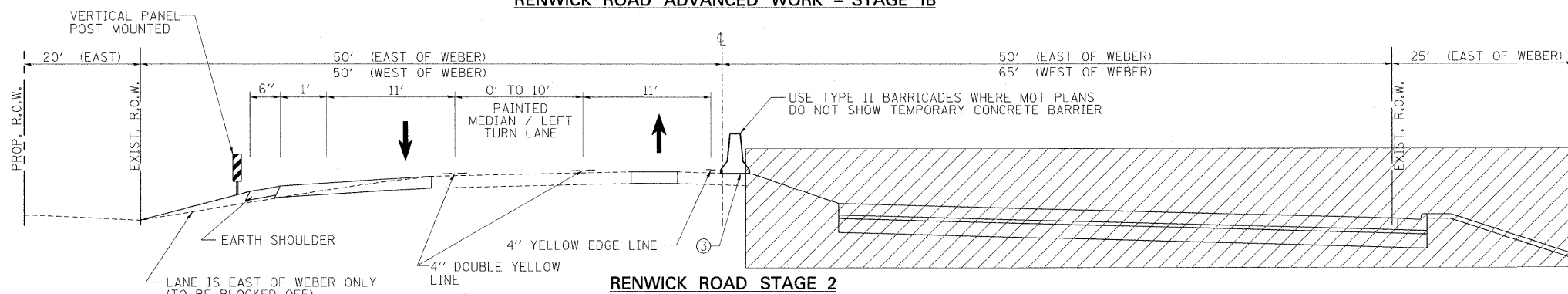
1. THE CONTRACTOR SHALL MAINTAIN ONE LANE OF TRAFFIC FLOW IN EACH DIRECTION AT ALL TIMES DURING CONSTRUCTION. ALLOWABLE HOURS FOR LANE CLOSURES ARE 9:00 AM TO 3:00 PM.
2. TEMPORARY TRAFFIC SIGNALS SHALL BE PROVIDED AS SHOWN ON THE PLANS.
3. THE CONTRACTOR SHALL USE TEMPORARY PAVEMENT MARKING FOR TEMPORARY LANE MARKINGS ON ALL PAVEMENT SURFACES.
4. 4" SOLID WHITE LINES SHALL BE USED TO DEFINE OUTSIDE LANE LINES DURING MAINTENANCE OF TRAFFIC.
5. DOUBLE 4" SOLID YELLOW LINE SHALL BE USED TO SEPARATE OPPOSING TRAFFIC UNLESS OTHERWISE INDICATED ON THE PLANS.
6. ACCESS TO ABUTTING PROPERTIES, COMMERCIAL ENTRANCES, ZACHARY DRIVE, ABERDEEN DRIVE, RANKIN DRIVE, BORIO DRIVE, RYAN DRIVE, GASKIN DRIVE, AND GRAND HAVEN CIRCLE SHALL BE PROVIDED AND MAINTAINED DURING CONSTRUCTION. TEMPORARY ACCESS SHALL BE PAID FOR PER UNIT EACH BY THE PAY ITEMS PROVIDED.
7. CONSTRUCTION SIGN PANELING AND ARROW BOARD SHALL BE INCLUDED TO THE COST OF TRAFFIC CONTROL AND PROTECTION.
8. EXISTING PAVEMENT MARKINGS WHICH CONFLICT WITH REVISED TRAFFIC PATTERNS SHALL BE OBLITERATED. PAVEMENT MARKINGS WHICH HAVE BEEN REMOVED IN TAPER AREAS OUTSIDE OF PROJECT LIMITS SHALL BE REPLACED.



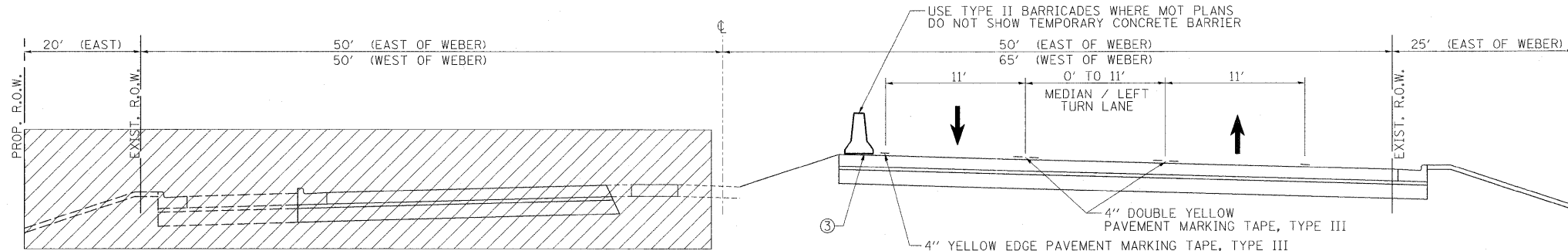
RENWICK ROAD ADVANCED WORK - STAGE 1A



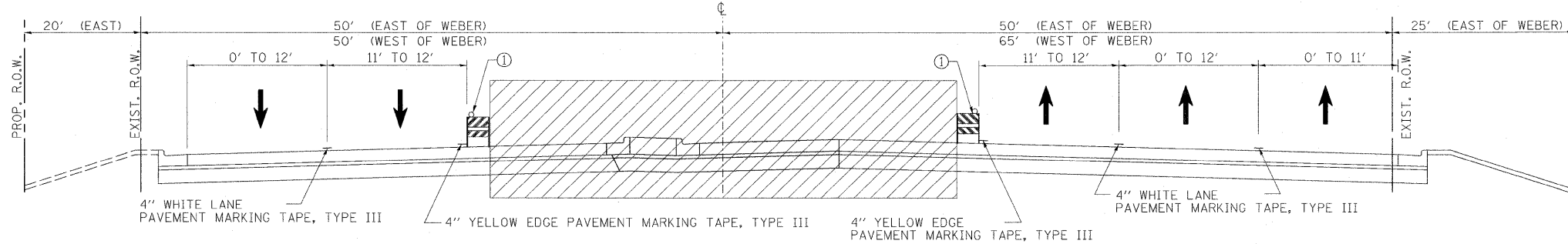
RENWICK ROAD ADVANCED WORK - STAGE 1B



RENWICK ROAD STAGE 2



RENWICK ROAD STAGE 3



RENWICK ROAD STAGE 4

TYPICAL SECTION LEGEND

- WORK ZONE
- ① TYPE II BARRICADES SPACED PER IDOT HIGHWAY STANDARDS WITH STEADY BURNING LIGHTS. THE CONTRACTOR SHALL PROVIDE AND INSTALL 2 WEIGHTED SANDBAGS ON EACH TYPE II BARRICADE USED (ONE WEIGHTED SANDBAG ACROSS EACH BOTTOM RAIL).
- ② INSTALL TEMPORARY CONCRETE BARRIER WHERE DROP-OFF HEIGHT BETWEEN TRAVEL LANES & CONSTRUCTION ZONE IS GREATER THAN 12 INCHES. SEE MOT PLANS FOR LOCATION.
- ③ TEMPORARY CONCRETE BARRIER

REVISIONS	
NAME	DATE

ILLINOIS DEPARTMENT OF TRANSPORTATION

RENWICK ROAD
SUGGESTED MAINTENANCE OF TRAFFIC
TYPICAL SECTIONS

SCALE: N.T.S. DRAWN BY CJO
DATE APRIL, 2011 CHECKED BY MFB

8/22/2011 P:\79766\cadd\drawings\032M01T\spsec.dgn