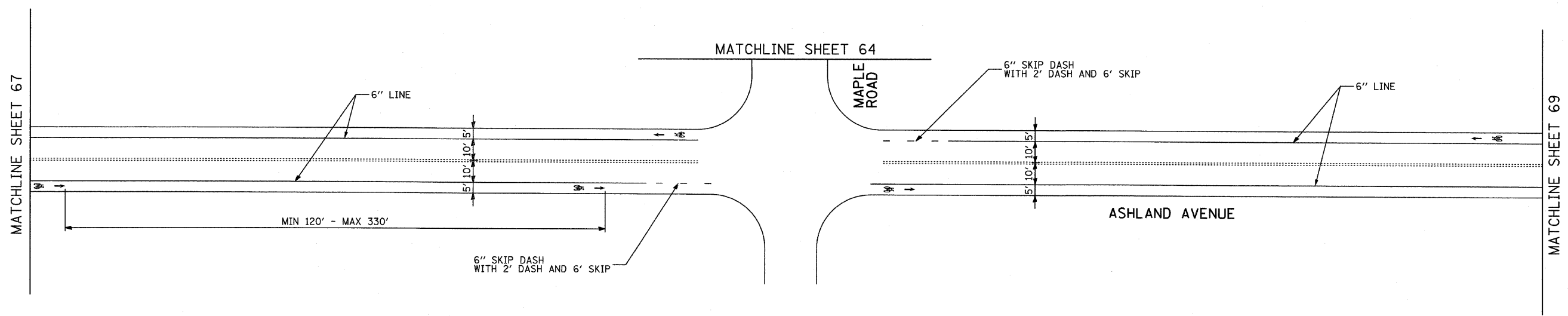
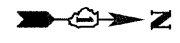


ASHLAND AVENUE EXISTING/REMOVAL PLAN

PAVEMENT MARKING LEGEND

	PAVEMENT MARKING REMOVAL
	EXISTING PAVEMENT MARKINGS
	PROPOSED PAVEMENT MARKINGS



ASHLAND AVENUE PROPOSED IMPROVEMENT PLAN

TYLIN INTERNATIONAL	USER NAME = *USER*	DESIGNED - MBR	REVISED -	VILLAGE OF HOMEWOOD	HOMWOOD ON-STREET BICYCLE NETWORK PAVEMENT MARKING PLAN				F.A. RTE.	SECTION	COUNTY	TOTAL SHEETS	SHEET NO.
	PLOT SCALE = *SCALE*	DRAWN - MBR	REVISED -						08-00125-00-SG	COOK	76	68	
	PLOT DATE = 12/16/2011	CHECKED - DBD	REVISED -		SCALE: N.T.S.	SHEET NO.	OF SHEETS	STA.	TO STA.	CONTRACT NO. 63634			
		DATE - 12/19/2011	REVISED -										