

P:\602606_Homewood_PHI\Road\pavmk_sht34.dgn 11/5/2011 11:52:38 AM



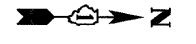
MATCHLINE SHEET 68

ASHLAND AVENUE

MATCHLINE SHEET 70

ASHLAND AVENUE EXISTING/REMOVAL PLAN

- PAVEMENT MARKING LEGEND**
- PAVEMENT MARKING REMOVAL
 - EXISTING PAVEMENT MARKINGS
 - PROPOSED PAVEMENT MARKINGS

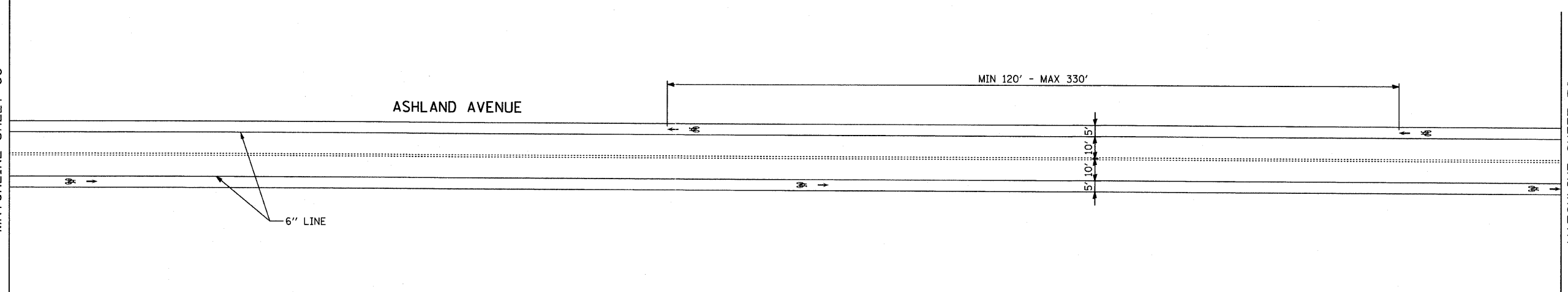


MATCHLINE SHEET 68

ASHLAND AVENUE

MATCHLINE SHEET 70

ASHLAND AVENUE PROPOSED IMPROVEMENT PLAN



TYLIN INTERNATIONAL	USER NAME = #USER#	DESIGNED - MBR	REVISED -	VILLAGE OF HOMEWOOD	HOMWOOD ON-STREET BICYCLE NETWORK PAVEMENT MARKING PLAN			F.A. RTE.	SECTION	COUNTY	TOTAL SHEETS	SHEET NO.
	PLOT SCALE = #SCALE#	DRAWN - MBR	REVISED -		08-00125-00-SG	COOK	76	69				
	PLOT DATE = 12/16/2011	CHECKED - DBD	REVISED -		SCALE: N.T.S. SHEET NO. OF SHEETS STA. TO STA.			CONTRACT NO. 63634				
		DATE - 12/19/2011	REVISED -									