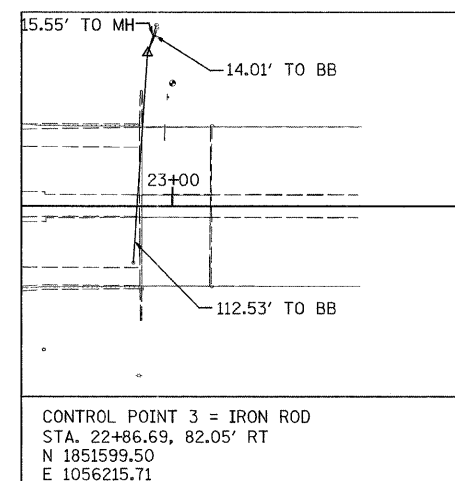
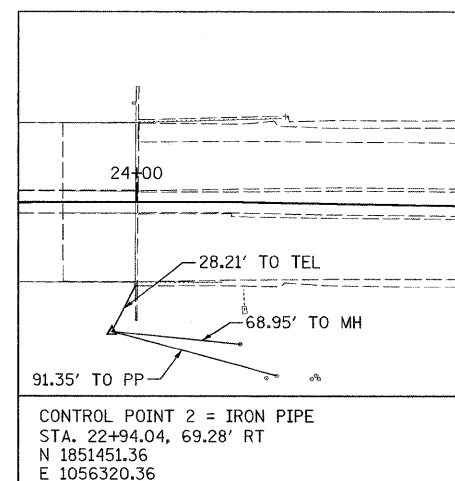
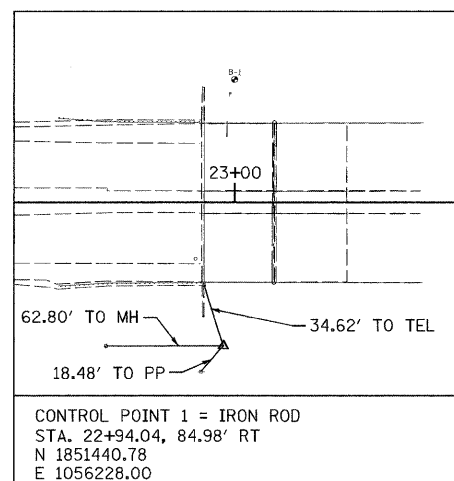
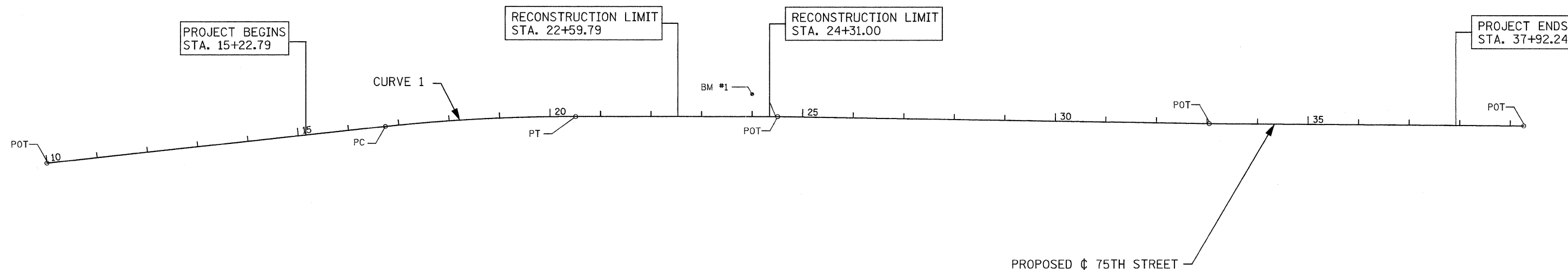


COORDINATE TABLE - PROP. 75TH STREET		
ALIGNMENT POINT	N	E
POT 10+00.00	1851384.93	1054939.71
PC 16+73.59	1851478.16	1055606.81
PI 18+62.40	1851504.30	1055793.80
PT 20+50.84	1851510.17	1055982.52
POT 24+50.53	1851522.58	1056382.02
POT 33+04.68	1851534.98	1057236.08
POT 39+26.63	1851550.46	1057857.83



PROP. CURVE1
 PI STA. = 18+62.40
 DELTA = 6° 10' 33" (RT)
 D = 1° 38' 13"
 R = 3,500.00'
 T = 188.81'
 L = 377.26'
 E = 5.09'
 P.C. STA = 16+73.59
 P.T. STA = 20+50.84



BENCHMARK

BM1: A BRONZE DISK MONUMENT IN THE NE CORNER OF CONCRETE HEADWALL OF EAST BRANCH DUPAGE RIVER STAMPED DUPAGE COUNTY MAPS AND PLATS. (DuPage County Benchmark LI26001)

ELEVATION - 658.20 (NAVD 88)
 STA. 24+00, 44' LT
 N 1851565
 E 1056330

USER NAME = dsuptenllisle	DESIGNED - JAC	REVISED -	PATRICK ENGINEERING INC. 4970 VARSITY DRIVE LISLE, IL 60532 patrickengineering.com	DUPAGE COUNTY DIVISION OF TRANSPORTATION	ALIGNMENT, TIES, & BENCHMARKS 75TH STREET OVER EAST BRANCH DUPAGE RIVER		FAP RTE.	SECTION	COUNTY	TOTAL SHEETS	SHEET NO.
PLOT CONFIG = PDF(Dwg, Large, Plot)	DRAWN - JAC	REVISED -			0369	08-00162-03-BR	DUPAGE	58	6		
PLOT SCALE = 1:100	CHECKED - DES	REVISED -			CONTRACT NO. 63662						
PLOT DATE = 1/19/2012	DATE - 12-19-2011	REVISED -			FED. ROAD DIST. NO. ILLINOIS FED. AID PROJECT						

G:\DPCDOT\21156.007\Drawings\RDW\Yahrs\A1\15_ATB.dgn