

REINFORCED CONCRETE WEARING SURFACE PROFILE
(Proposed)

Notes:
After beams have been erected, holes for dowel rods shall be drilled into the Abuts. & Piers and dowel rods placed. Dowel holes shall be filled with non-shrink grout to the top of beam and allowed to cure a minimum of 24 hrs. prior to grouting the shear keys.

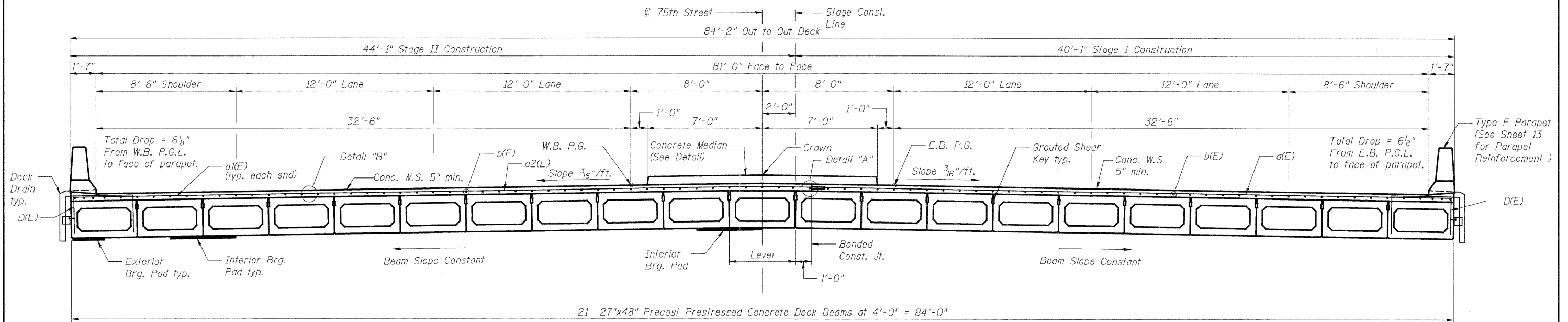
Dowel rods drilled in cap are included in the cost of Precast Prestressed Concrete Deck Beams (27" Depth)

Concrete wearing surface to be poured after grouting the shear keys.

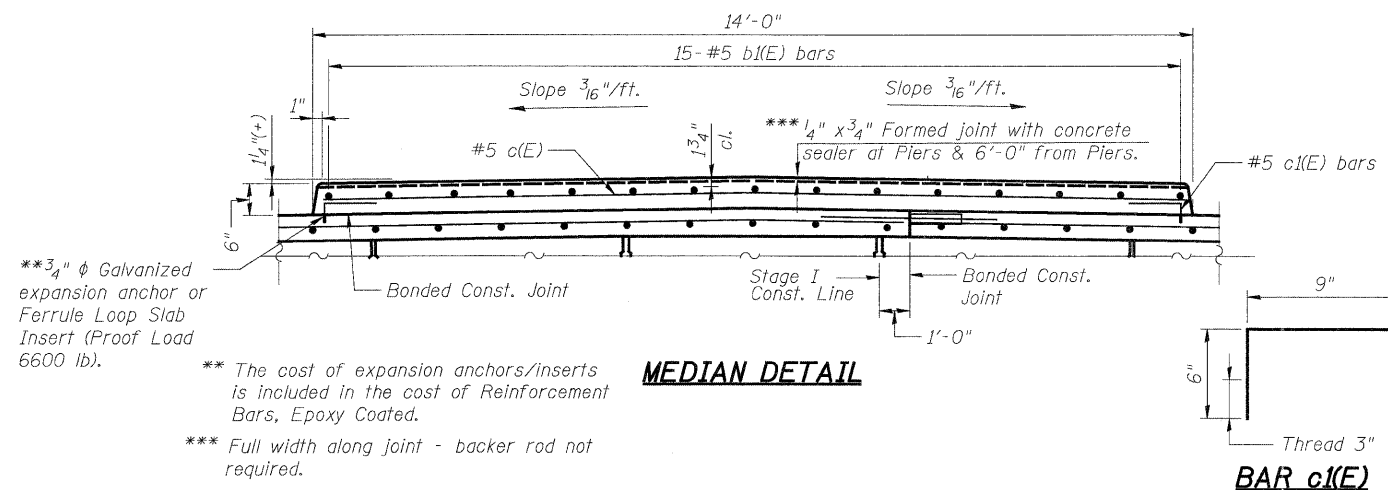
All concrete wearing surfaces shall be placed prior to casting a backwall and/or approach slab.

See Sheet S15 of S24 for fabric bearing pad details.

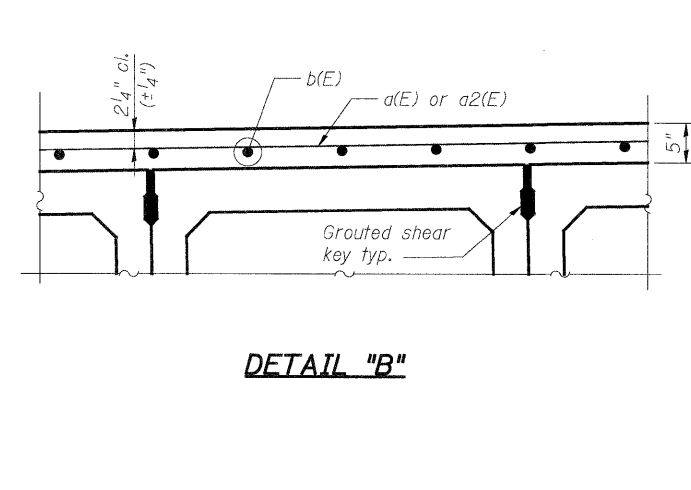
See Sheet S13 of S24 for Bill of Material.



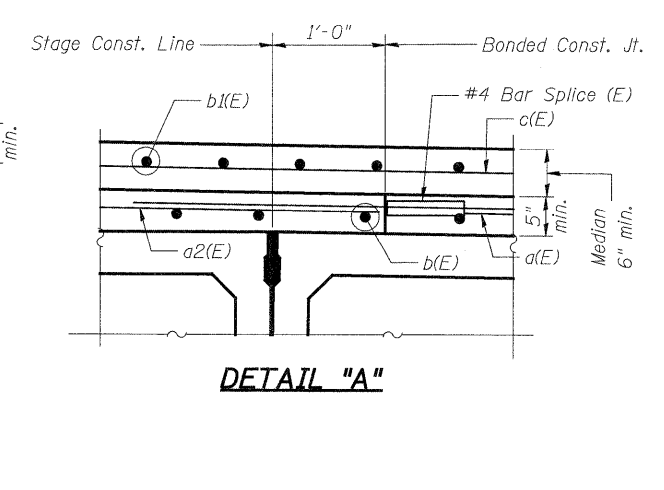
CROSS SECTION
(Looking East)



MEDIAN DETAIL



DETAIL "B"



DETAIL "A"

** 3/4" φ Galvanized expansion anchor or Ferrule Loop Slab Insert (Proof Load 6600 lb).
** The cost of expansion anchors/inserts is included in the cost of Reinforcement Bars, Epoxy Coated.
*** Full width along joint - backer rod not required.

BAR c(E)

PATRICK ENGINEERING INC.
4970 VARSITY DRIVE
LISLE, IL 60532
patrickengineering.com

USER NAME =	DESIGNED - RDW	REVISED -
PLDT CONFIG =	CHECKED - RLD	REVISED -
PLDT SCALE =	DRAWN - APD	REVISED -
PLDT DATE =	CHECKED - RLD	REVISED -

DUPAGE COUNTY
DIVISION OF TRANSPORTATION

SUPERSTRUCTURE CROSS SECTIONS
75TH STREET OVER EAST BRANCH DUPAGE RIVER

SHEET NO. S10 OF S24 SHEETS

FAP RTE.	SECTION	COUNTY	TOTAL SHEETS	SHEET NO.
0369	08-00162-03-BR	DUPAGE	58	33
CONTRACT NO. 63662			ILLINOIS FED. AID PROJECT	