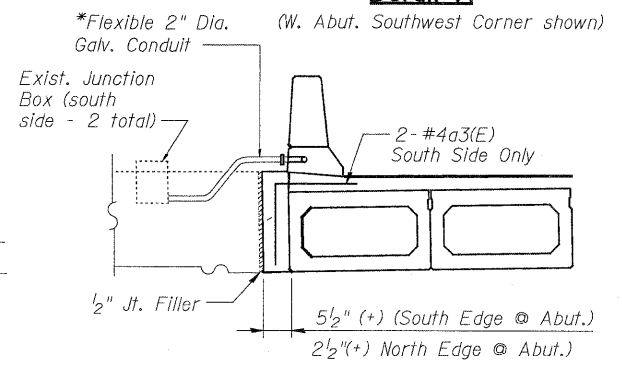
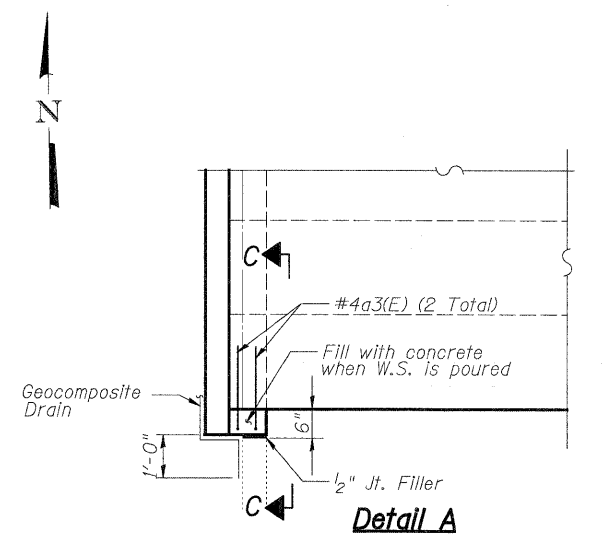
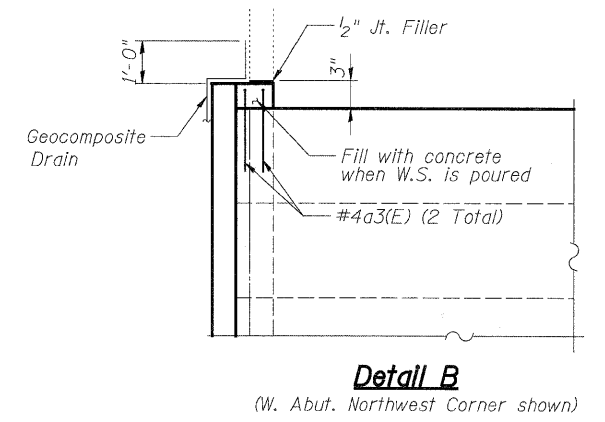


PLAN
(Showing Concrete Deck Beams)



*Cost of flexible conduit included with "Conduit Embedded in Structure, 2" Dia., Galvanized Steel"



Notes:
See Sheet S11 of S24 for Sections A-A and B-B.
Anchor rod dowel locations not shown.
Contractor shall field verify Deck Beam lengths prior to ordering any materials.

PATRICK ENGINEERING INC.
4970 VARSITY DRIVE
LISLE, IL 60532
patrickengineering.com

USER NAME =	DESIGNED - RDW	REVISED -
PLOT CONFIG	CHECKED - RLD	REVISED -
PLOT SCALE =	DRAWN - APD	REVISED -
PLOT DATE =	CHECKED - RLD	REVISED -

DUPAGE COUNTY
DIVISION OF TRANSPORTATION

SUPERSTRUCTURE FRAMING PLAN
75TH STREET OVER EAST BRANCH DUPAGE RIVER

SHEET NO. S12 OF S24 SHEETS

FAP RTE.	SECTION	COUNTY	TOTAL SHEETS	SHEET NO.
0369	08-00162-03-BR	DUPAGE	58	35
CONTRACT NO. 63662				
ILLINOIS FED. AID PROJECT				