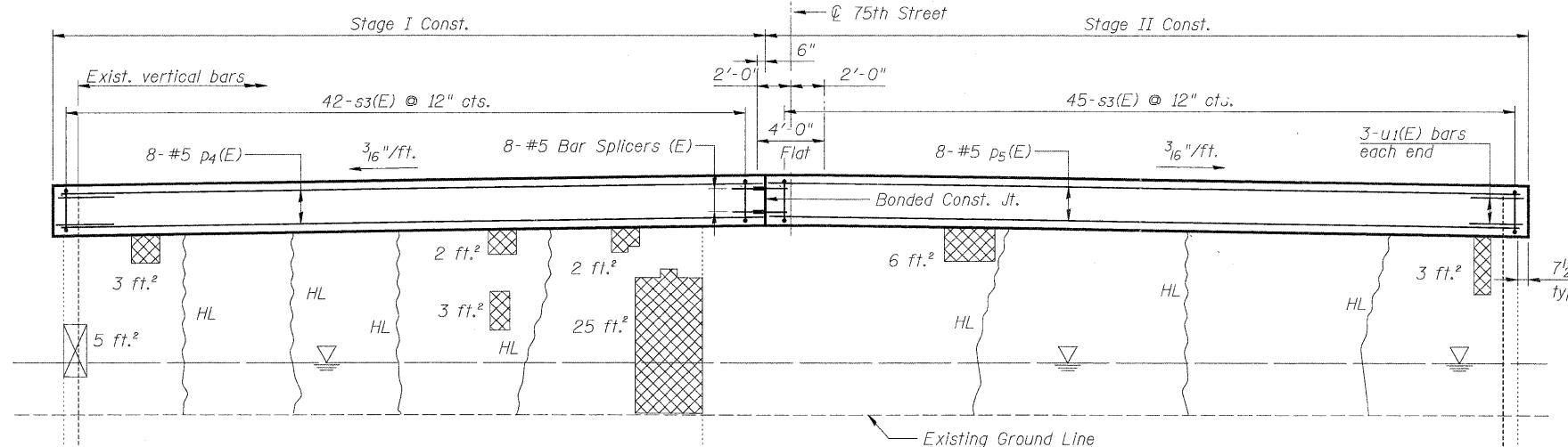


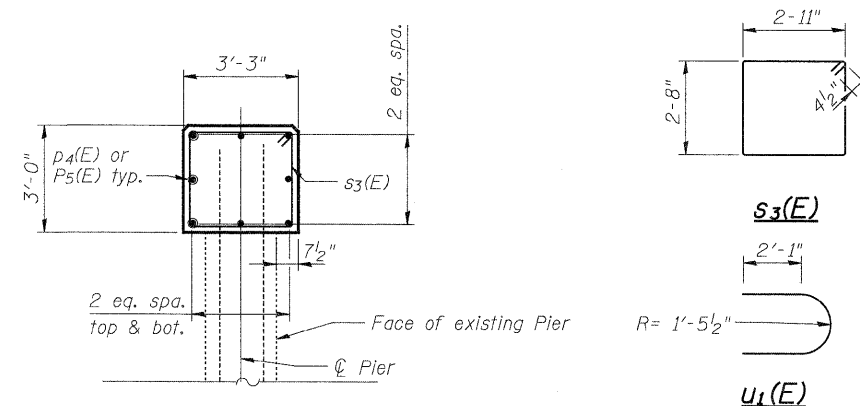
PIER 1 PLAN

**PIER 1
BILL OF MATERIAL**

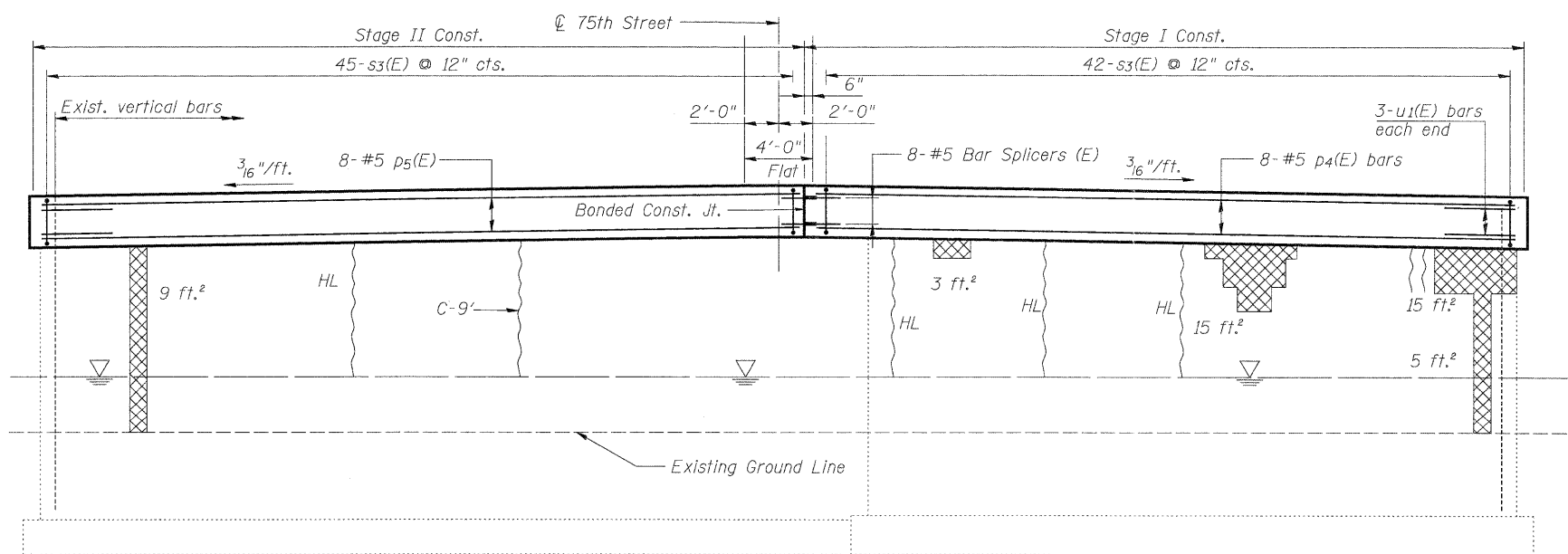
Bar	No.	Size	Length	Shape
p4(E)	8	#5	40'-7"	
p5(E)	8	#5	43'-7"	
s3(E)	87	#4	11'-11"	□
u1(E)	6	#4	8'-9"	⌋
Concrete Structures			Cu. Yd.	31.7
Reinforcement Bars, Epoxy Coated			Pound	1430
Structural Repair of Concrete (Depth Equal to or Less Than 5")			Sq. Ft.	91
Structural Repair of Concrete (Depth Greater Than 5")			Sq. Ft.	5
Bar Splicers			Each	8
Epoxy Crack Injection			Foot	9



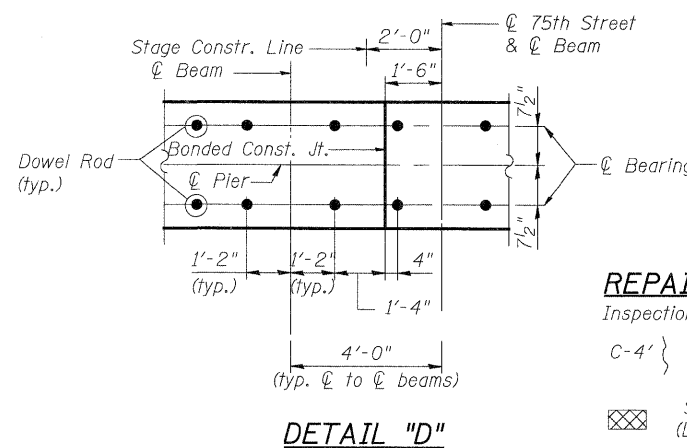
**PIER 1 ELEVATION
(Looking West)**



SECTION THRU PIER



**PIER 1 ELEVATION
(Looking East)**



DETAIL "D"

REPAIR LEGEND

- Inspection Date 12-2009:
- C-4' } Epoxy Crack Injection (Crack Length)
- ▨ } Structural Repair of Concrete (Depth Equal to or Less than 5")
- ▩ } Structural Repair of Concrete (Depth Greater than 5")
- HL } Hairline Crack, For Information Only

Notes:
Structural Repair of Concrete and Epoxy Crack Injection locations and dimensions are estimated from inspection work. Actual locations and dimensions shall be shown by the Engineer on the as-built plans.