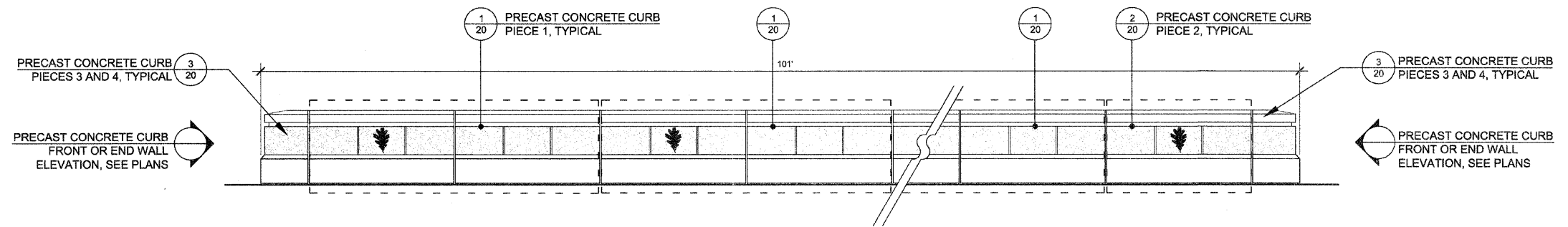


1 PRECAST CONCRETE CURB - SIDE ELEVATION A
SCALE: 3/4" = 1'-0"

LOCATION:
STA. 2110+22.46 TO STA. 2111+47.46

D-ELEV-WALL-SIDE A



2 PRECAST CONCRETE CURB - SIDE ELEVATION B
SCALE: 3/4" = 1'-0"

LOCATIONS:
STA. 2116+89.93 TO STA. 2117+90.93
STA. 2123+28.37 TO STA. 2124+29.37
STA. 2125+92.27 TO STA. 2126+93.27
STA. 2135+27.20 TO STA. 2136+28.20

D-ELEV-WALL-SIDE B

J:\PROJECTS\7005\0745-VILLAGE OF OAK BROOK\008-22ND STREET TIEP ENHANCEMENTS\H GRAPHICS\05-DD-CD\17-20-CONSTRUCTION DETAIL.S.DWG 18
 Plotted: 12/15/2011 5:09 PM By: TIKING
 Copyright © 2011, By: Hitchcock Design Group



DESIGNED - MEU	REVISED -
DRAWN - BLG	REVISED -
CHECKED - TCK	REVISED -
DATE - 12-19-11	REVISED -

STATE OF ILLINOIS
DEPARTMENT OF TRANSPORTATION

CONSTRUCTION DETAILS

SCALE: AS SHOWN PROJECT - 03-0745-008

F.A.U. RTE.	SECTION	COUNTY	TOTAL SHEETS	SHEET NO.
1453	11-00043-00-LS	DUPAGE	20	18
CONTRACT 63663				
FED. ROAD DIST. NO. 1 ILLINOIS FED. AID PROJECT TE-001 (872)				