

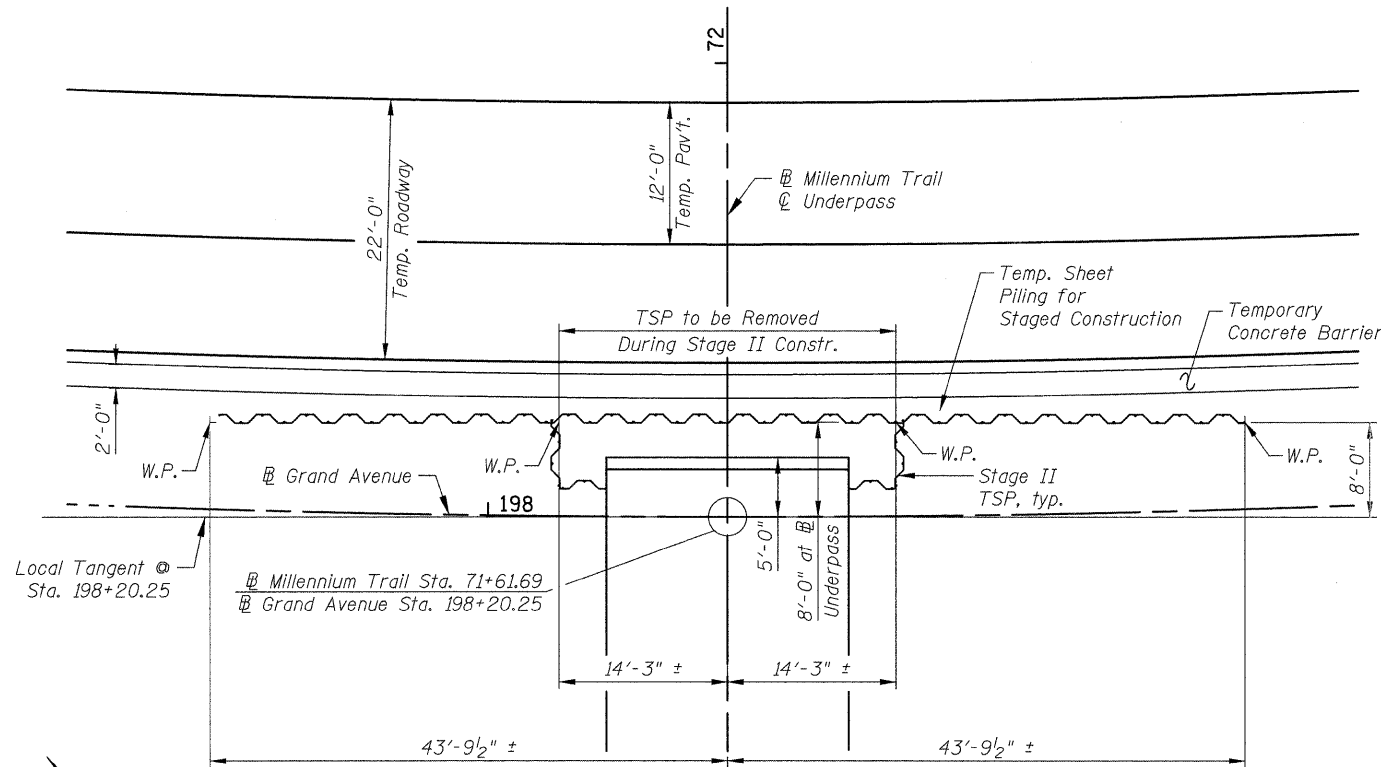
GENERAL NOTES

1. Reinforcement bars designated (E) shall be epoxy coated.

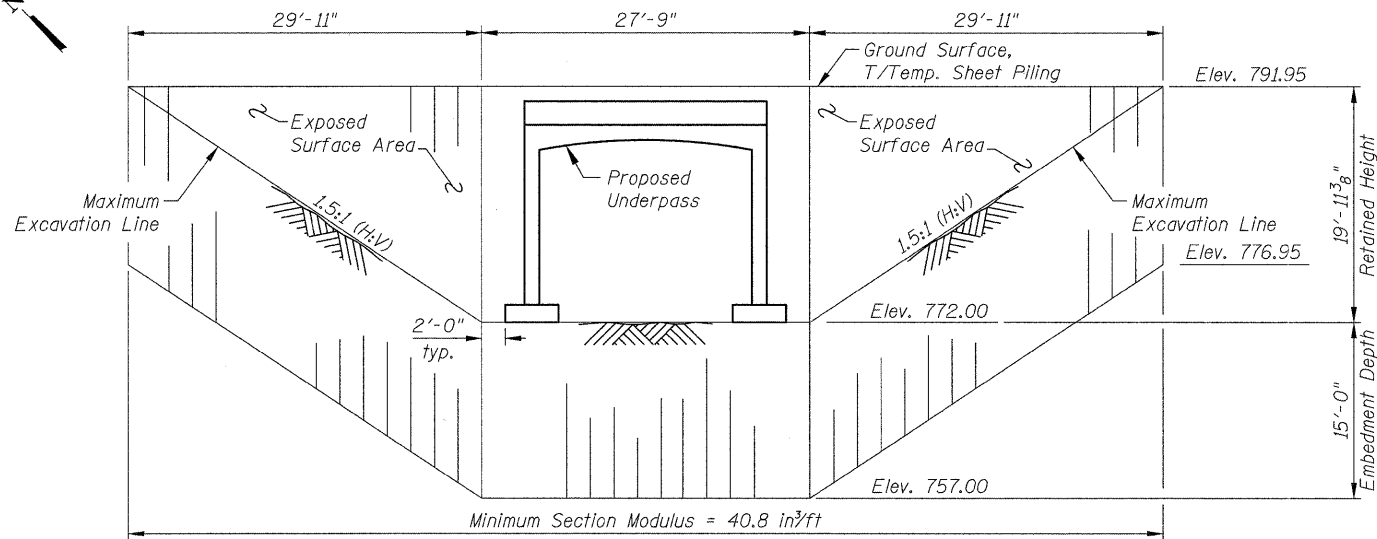
TSP = Temporary Sheet Piling
W.P. = Work Point

TOTAL BILL OF MATERIAL

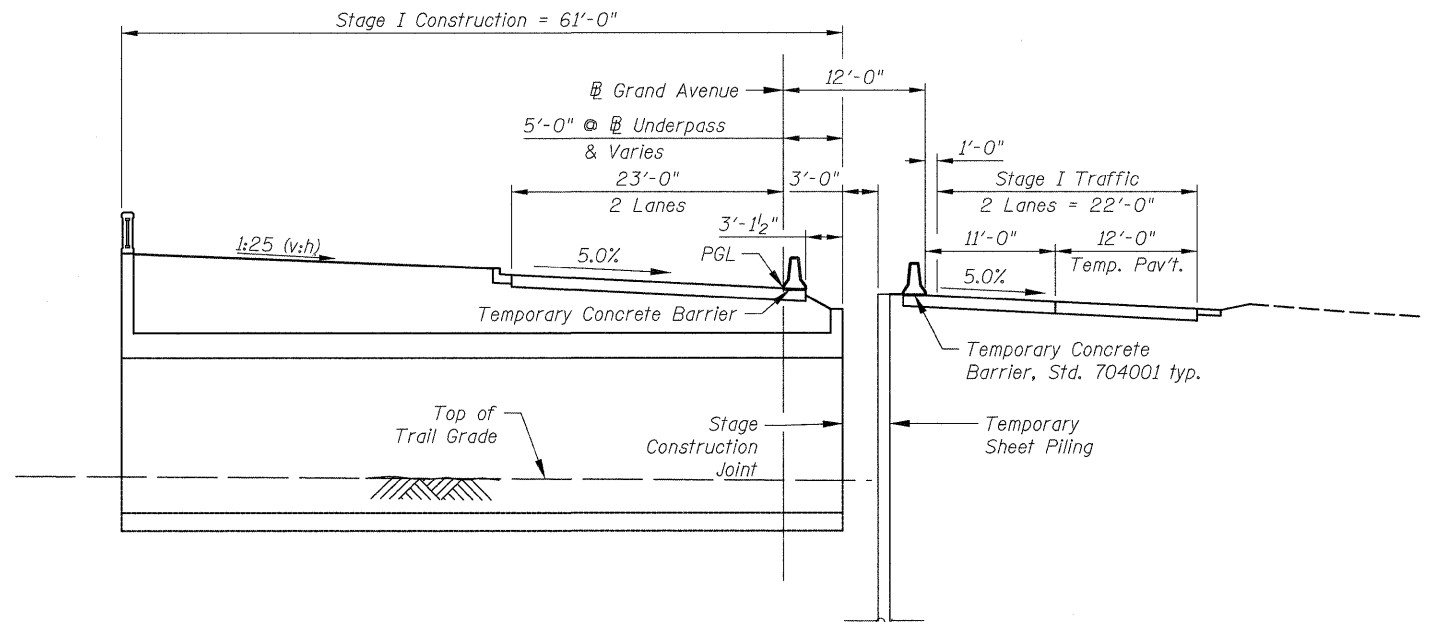
Item	Unit	Total
Porous Granular Embankment	Cu. Yd.	1,008
Structure Excavation	Cu. Yd.	4,200
Concrete Structures	Cu. Yd.	666.5
Rubbed Finish	Sq. Ft.	4,653
Reinforcement Bars, Epoxy Coated	Pound	82,680
Bar Splicers	Each	120
Name Plates	Each	1
Membrane Waterproofing	Sq. Ft.	2,543
Geocomposite Wall Drain	Sq. Yd.	567
Temporary Sheet Piling	Sq. Ft.	3,164
Pipe Underdrains for Structures, 4"	Foot	419
Ornamental Railing	Foot	158
Staining Concrete Structures	Sq. Yd.	308
Form Liner Textured Surface, Special	Sq. Ft.	2,764



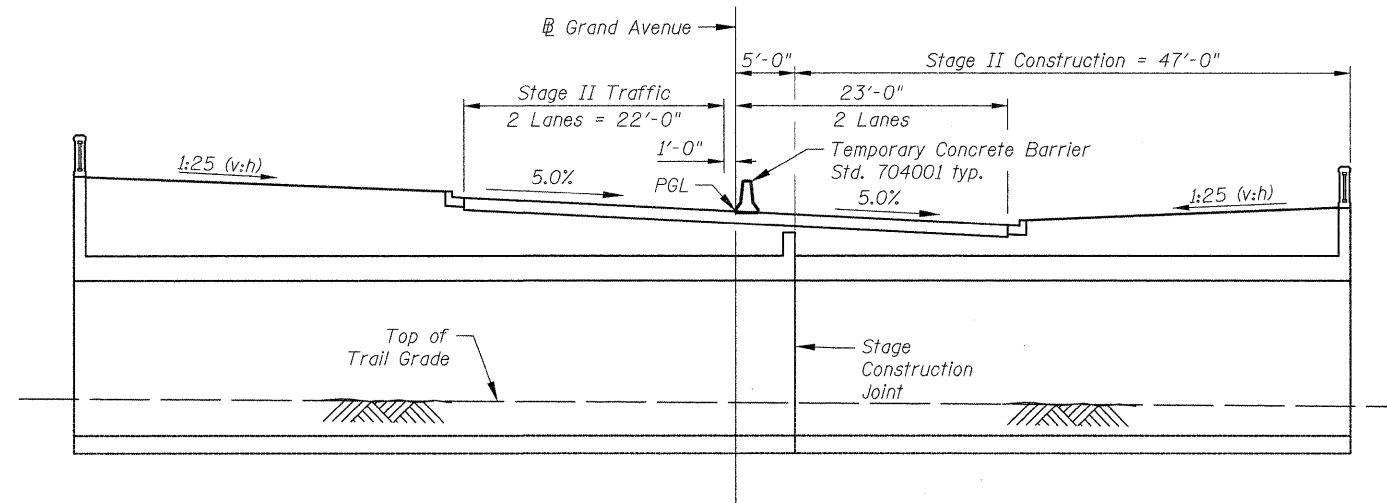
TEMPORARY SHEET PILING - PLAN



TEMPORARY SHEET PILING - ELEVATION



STAGE I CONSTRUCTION



STAGE II CONSTRUCTION

9/17 7/26/2012 3:59:47 PM J:\2322\cod\struct\undrpass\02_generalnotes_rev.dgn