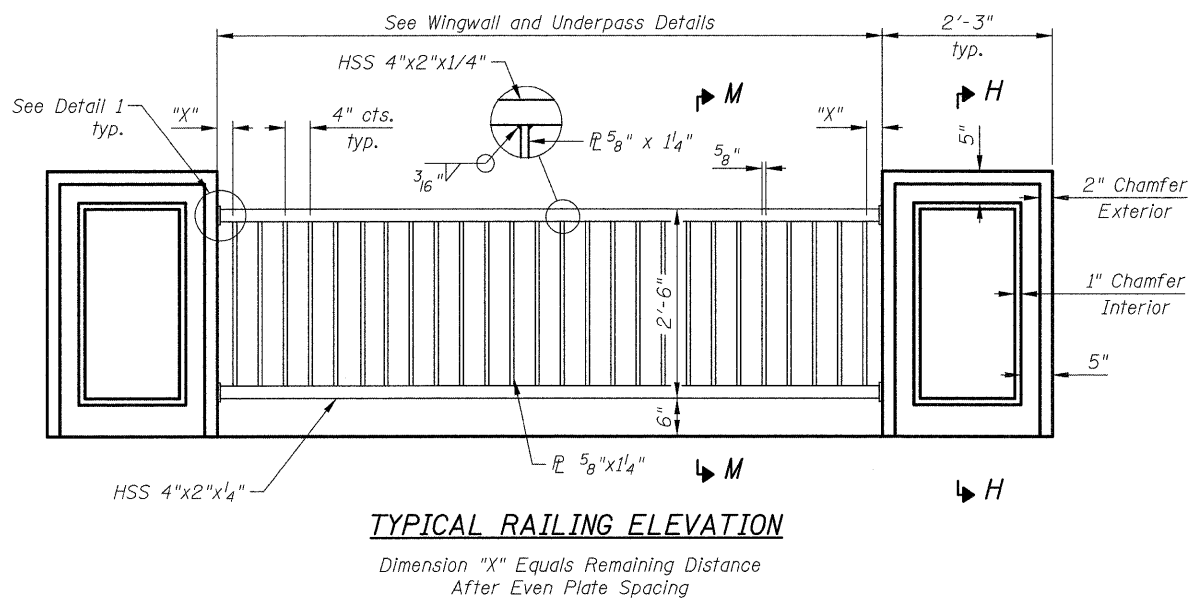


DETAIL 1

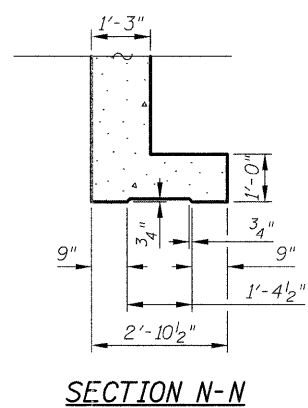
DETAIL 2
Railing Expansion Joint Detail

TYPICAL END VIEW

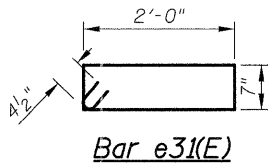


TYPICAL RAILING ELEVATION

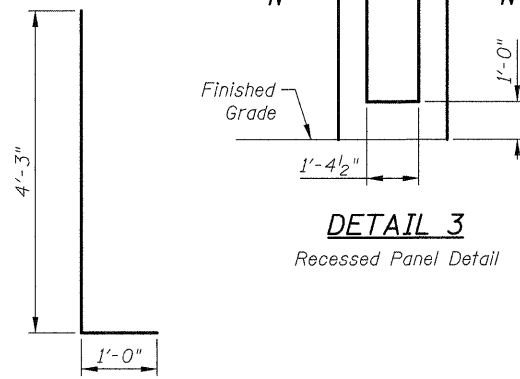
Dimension "X" Equals Remaining Distance After Even Plate Spacing



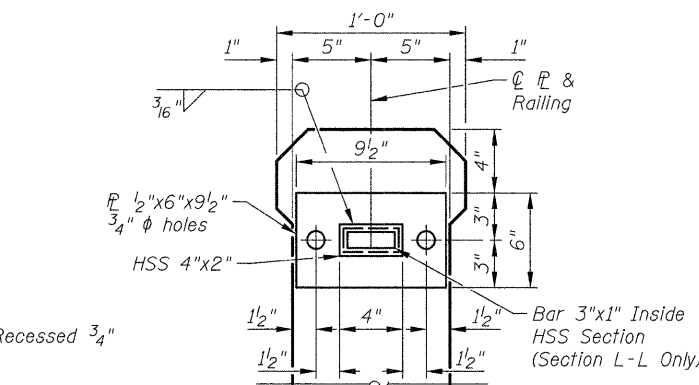
SECTION N-N



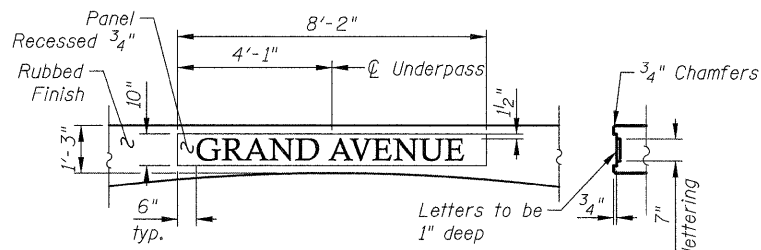
Bar e31(E)



DETAIL 3
Recessed Panel Detail



SECTION I-I
SECTION L-L



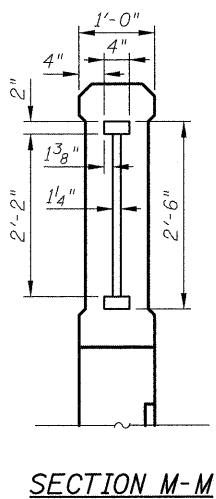
TEXT DETAIL

Font Style to be Calisto MT

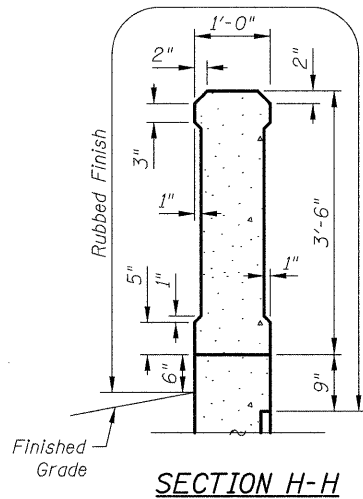
Letters are to be cast-in-place with a one piece form liner securely attached to the forms and according to Article 503.06(a). Individual letters are not permitted. Cost included with Concrete Structures.

BILL OF MATERIAL
(For Pilasters)

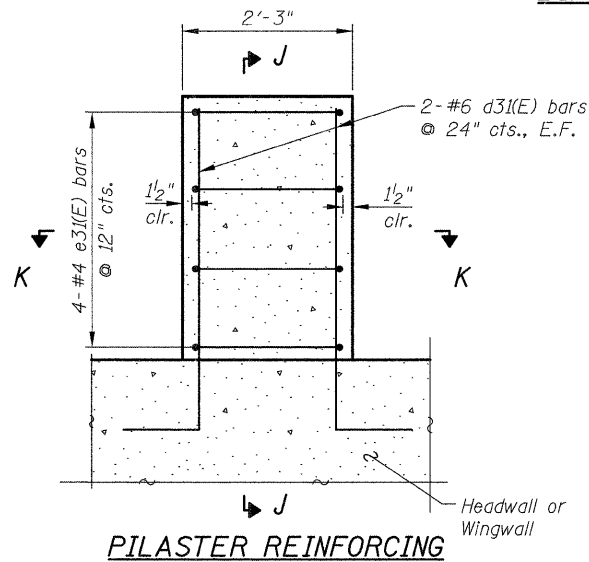
Bar	No.	Size	Length	Shape
d31(E)	72	#6	5'-3"	—
e31(E)	72	#4	5'-11"	—
Item	Unit	Quantity		
Concrete Structures	Cu. Yd.	5.3		
Rubbed Finish	Sq. Ft	450		
Reinforcement Bars, Epoxy Coated	Pound	860		
Ornamental Railing	Foot	158		



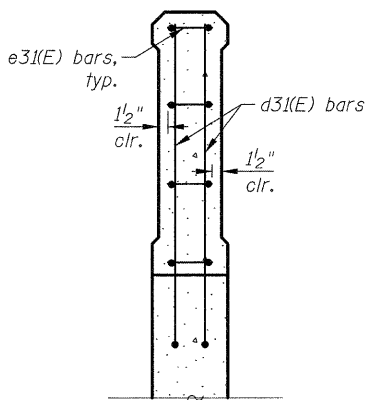
SECTION M-M



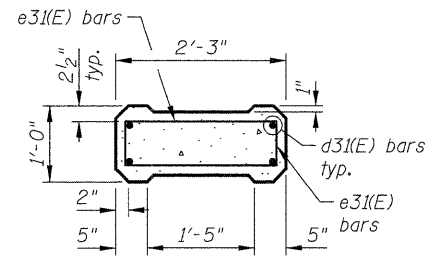
SECTION H-H



PILASTER REINFORCING



SECTION J-J



SECTION K-K

STATE OF ILLINOIS
DEPARTMENT OF TRANSPORTATION

ARCHITECTURAL DETAILS
GRAND AVENUE OVER MILLENNIUM TRAIL
STRUCTURE NO. 049-9003
SHEET NO. S8 OF S11 SHEETS

F.A.P. RTE.	SECTION	COUNTY	TOTAL SHEETS	SHEET NO.
0541	10-F3000-00-BT	LAKE	91	33
				CONTRACT NO.

ILLINOIS FED. AID PROJECT

9/16 1/26/2012 4:00:45 PM J:\2322\cod\struct\undpass\08_arch_dftis_rev.dgn



450 E Devon Ave, Suite 300
Itasca, Illinois 60143
Tel: 630.773.3900 Fax: 630.773.3975
www.civiltechinc.com

DRAWN	- K. BOCHNOWSKI	REVISED	-
DESIGNED	- M. LANGE	REVISED	-
CHECKED	- G. HATLESTAD	REVISED	-
DATE	- JANUARY 27, 2012	REVISED	-