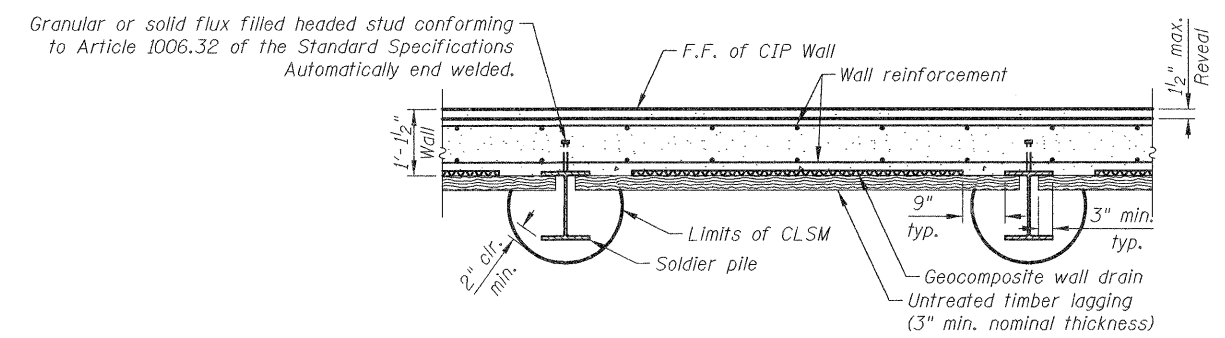
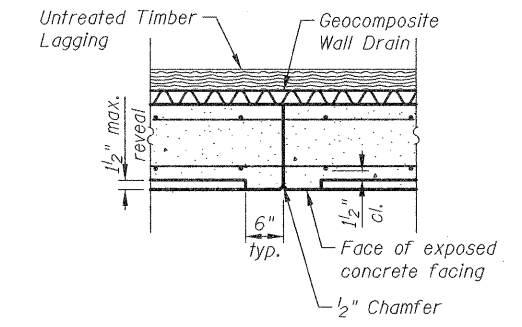


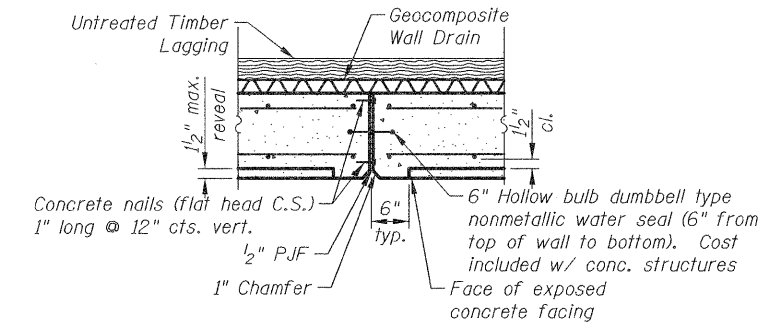
ELEVATION WALL SEGMENT D



SECTION THRU DRILLED SOLDIER PILE WALL



CONSTRUCTION JOINT

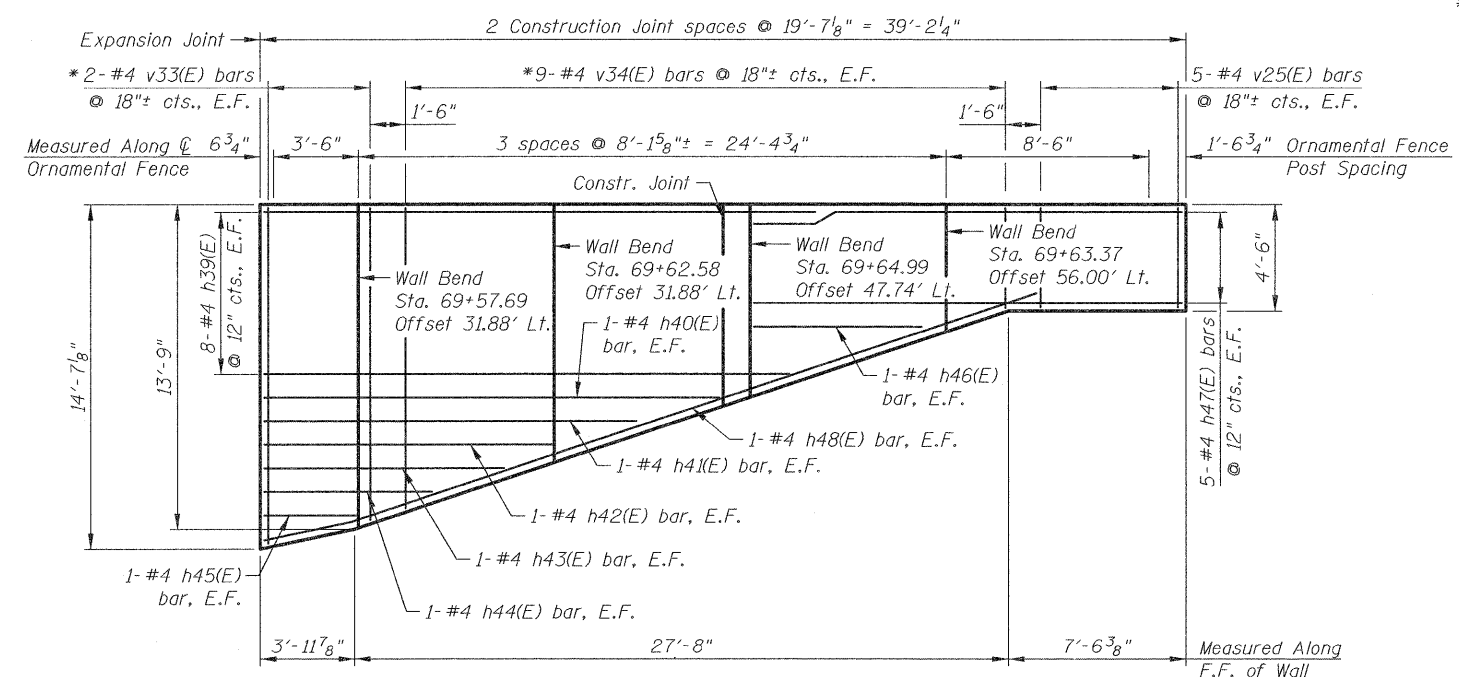


EXPANSION JOINT

MINIMUM BAR LAP

#4 bar = 2'-7"

\*Field cut to fit.



ELEVATION WALL SEGMENT E

Notes:  
 See sheet WA1 for location of wall segments.  
 See sheet WS1 & WA4 for Ornamental Fence details.  
 Stations and offsets are given to the front face of wall.

12/15/2011 11:44:04 AM J:\2322\Cad\Struct\Wall\A.03.WA.Elev.ILDgn

**CIVILTECH**  
 450 E Devon Ave, Suite 300  
 Itasca, Illinois 60143  
 Tel: 630.773.3900 Fax: 630.773.3975  
 www.civiltechinc.com

DRAWN	- D. ATKINS	REVISED	-
DESIGNED	- M. LANGE	REVISED	-
CHECKED	- G. HATLESTAD	REVISED	-
DATE	- DECEMBER 19, 2011	REVISED	-

**STATE OF ILLINOIS**  
**DEPARTMENT OF TRANSPORTATION**

**WALL A ELEVATIONS II**  
**WALL A; MILLENNIUM TRAIL**

SHEET NO. WA3 OF WA5 SHEETS

F.A.P. RTE.	SECTION	COUNTY	TOTAL SHEETS	SHEET NO.
0541	10-F3000-00-BT	LAKE	91	39
				CONTRACT NO.
ILLINOIS FED. AID PROJECT				