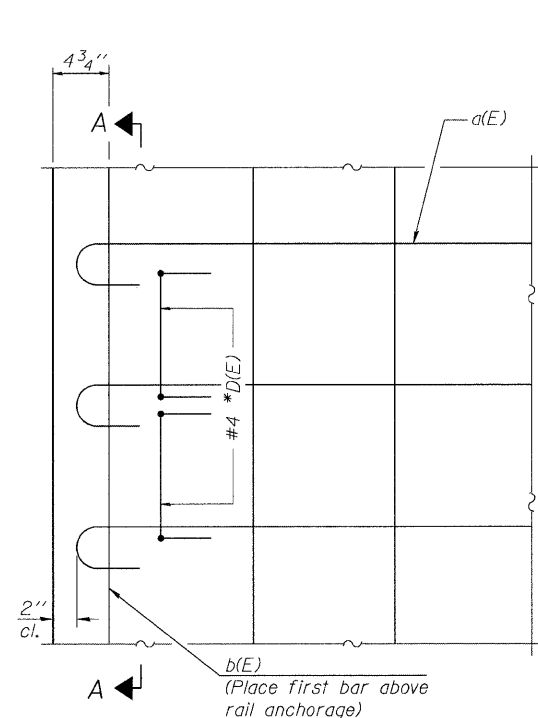
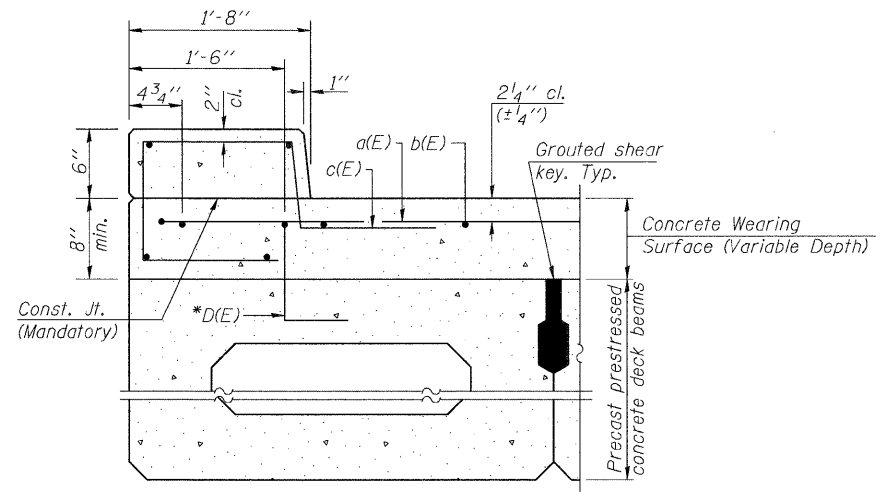


**CURB JOINT DETAILS**

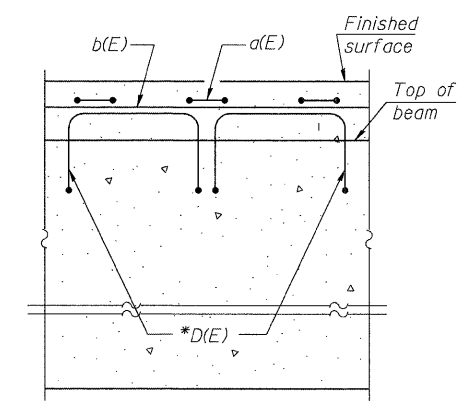


**PLAN At Curb**

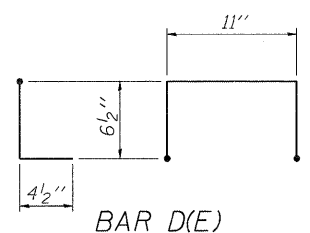
**Notes:**  
Formwork necessary for the wearing surface may be secured utilizing the bottom rail anchorage inserts and/or additional inserts cast into the beam.



**SECTION THRU FASCIA BEAM**  
Rail Post anchorage not shown for clarity

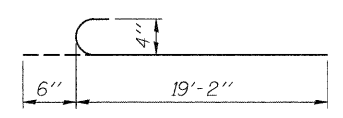


**SECTION A-A**

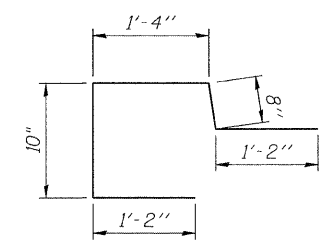


**BAR D(E)**

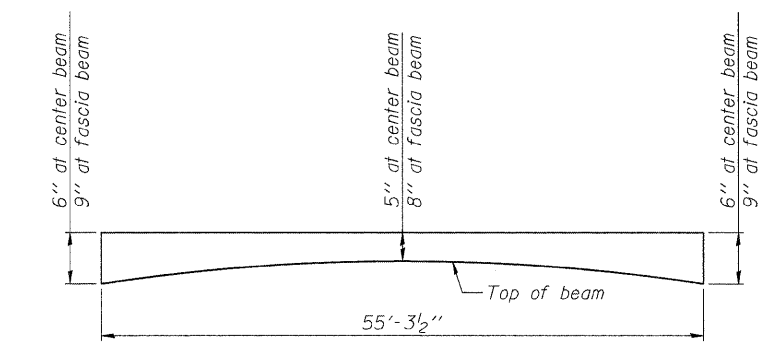
\* Place 2-#4 D(E) bars in beam at each post location as shown. D(E) bar included in cost of beam.



**BAR a(E)**



**BAR c(E)**



**ANTICIPATED CONCRETE WEARING SURFACE PROFILE**  
(For information only)

Estimated Final Beam Camber = 1"

**SUPERSTRUCTURE BILL OF MATERIAL**

Bar	No.	Size	Length	Shape
a(E)	224	#4	19'-8"	C
b(E)	160	#4	29'-9"	—
b <sub>1</sub> (E)	16	#5	29'-4"	—
c(E)	280	#5	5'-2"	L
Reinforcement Bars, Epoxy Coated			Pound	8,120
Concrete Wearing Surface, (Variable Depth)			Cu. Yd.	83
Concrete Superstructure			Cu. Yd.	7
Bridge Deck Grooving			Sq. Yd.	378
Protective Coat			Sq. Yd.	455

Bars indicated thus 20 x 2 -#4 etc. indicates 20 line of bars with 2 lengths per line.

**MINIMUM BAR LAP**  
#4 bar = 2'-7"  
#5 bar = 3'-3"

FILE NAME = s:\pa\6800-6899\6842\07\micro\cadd sheets\structure\056-3192-63666-005-SUPDET.dgn