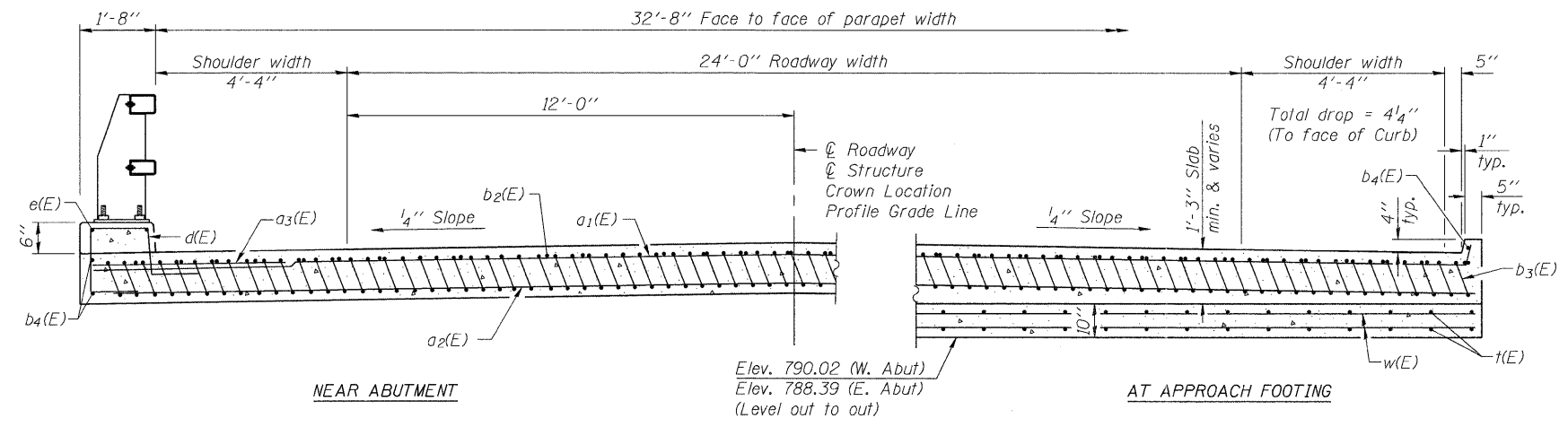
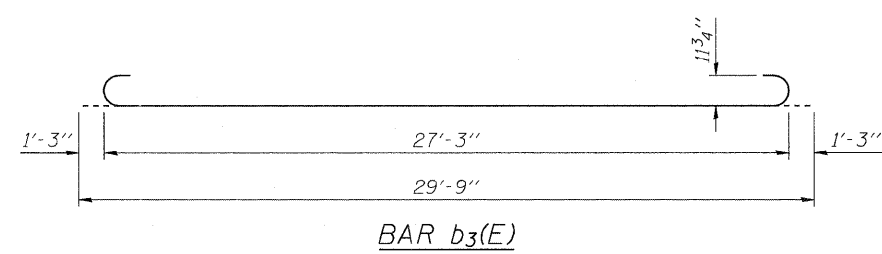
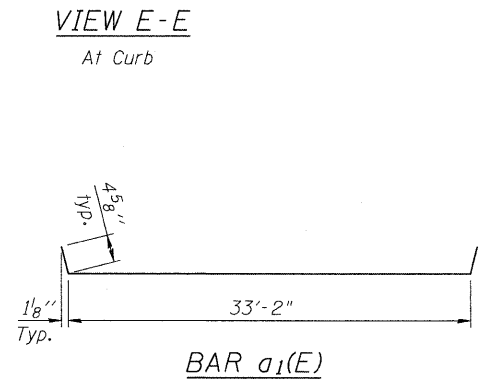
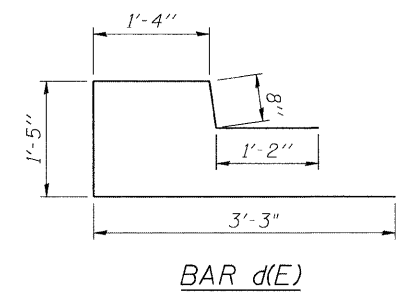
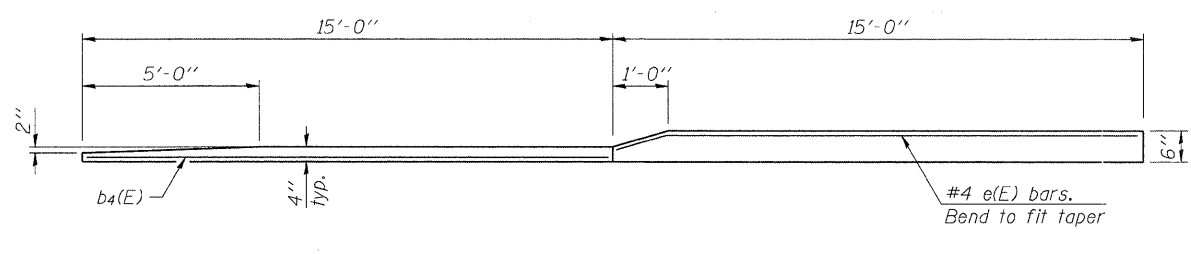


Notes:
 See sheet 6 of 18 for Detail A and View B-B.
 Approach slab and parapet concrete shall be paid for as Concrete Superstructure.
 Approach footing concrete shall be paid for as Concrete Structures.
 Reinforcement shall be paid for as Reinforcement Bars, Epoxy Coated.
 For v₁(E) bar details, see sheet 12 of 18.
 The approach footing maximum applied service bearing pressure (Q_{max}) = 2.0 ksf.
 Cost of excavation for approach footing included with Concrete Structures.
 For Porous Granular Embankment (Special) and drainage treatment details, see sheet 2 of 18.
 For additional parapet details, see sheet 8 and 9 of 18.



* Tilt #9 b₁(E) bars as required to maintain clearance.
 ** Cost included with Concrete Superstructure.



**TWO APPROACHES
 BILL OF MATERIAL**

| Bar | No. | Size | Length | Shape |
|----------------------------------|-----|---------|--------|-------|
| a ₁ (E) | 50 | #4 | 34'-0" | — |
| a ₂ (E) | 92 | #5 | 33'-4" | — |
| a ₃ (E) | 48 | #6 | 6'-6" | — |
| b ₂ (E) | 54 | #4 | 29'-8" | — |
| b ₃ (E) | 162 | #9 | 29'-9" | — |
| b ₄ (E) | 12 | #4 | 14'-8" | — |
| d(E) | 84 | #5 | 7'-10" | └ |
| e(E) | 8 | #4 | 14'-8" | — |
| t(E) | 136 | #4 | 9'-8" | — |
| w(E) | 80 | #5 | 33'-4" | — |
| Concrete Superstructure | | Cu. Yd. | 100 | |
| Concrete Structures | | Cu. Yd. | 21 | |
| Reinforcement Bars, Epoxy Coated | | Pound | 23,040 | *** |
| Reinforcement Bars, Epoxy Coated | | Pound | 3,660 | **** |
| Bridge Deck Grooving | | Sq. Yd. | 205 | |
| Protective Coat | | Sq. Yd. | 228 | |

*** Included in Superstructure
 **** Included in Substructure

FILE NAME = s:\proj\6800-6899\6842\007\microra\cadd\sheet\str-structure\056-3192-63666-006-BAP.dgn