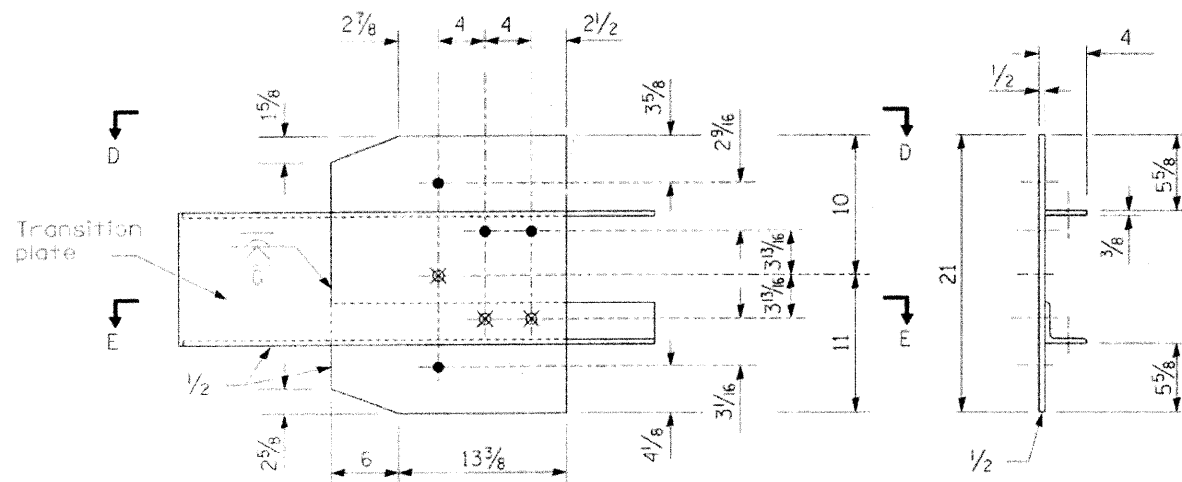


MCHENRY COUNTY
DIVISION OF TRANSPORTATION

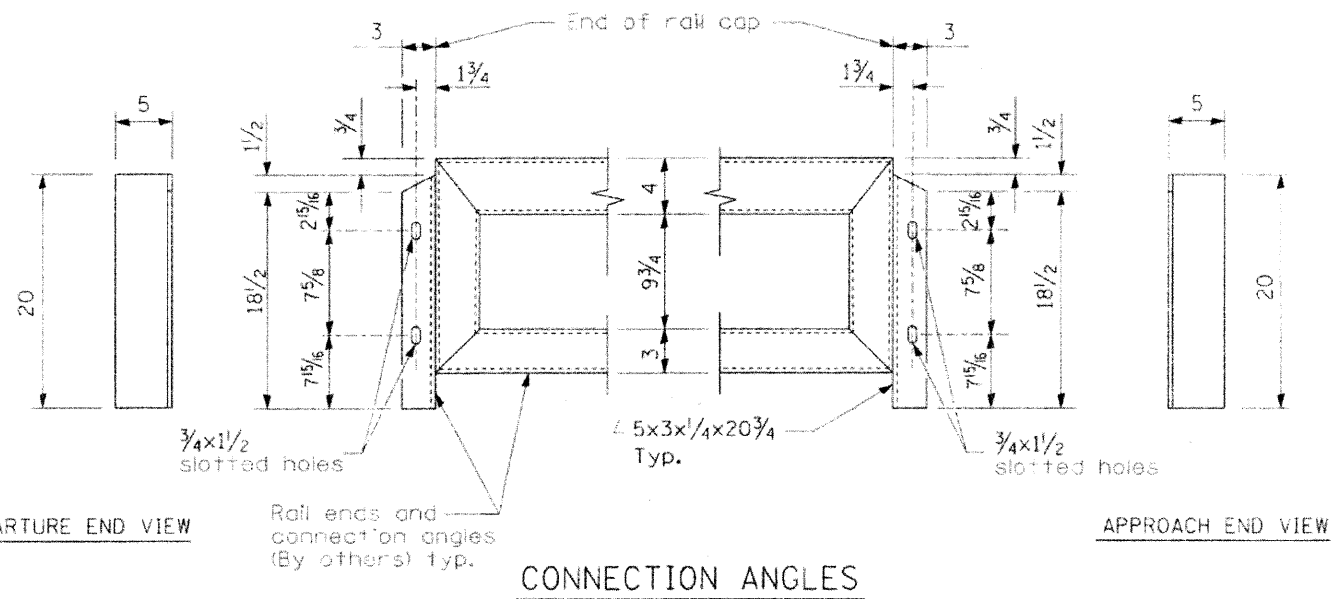
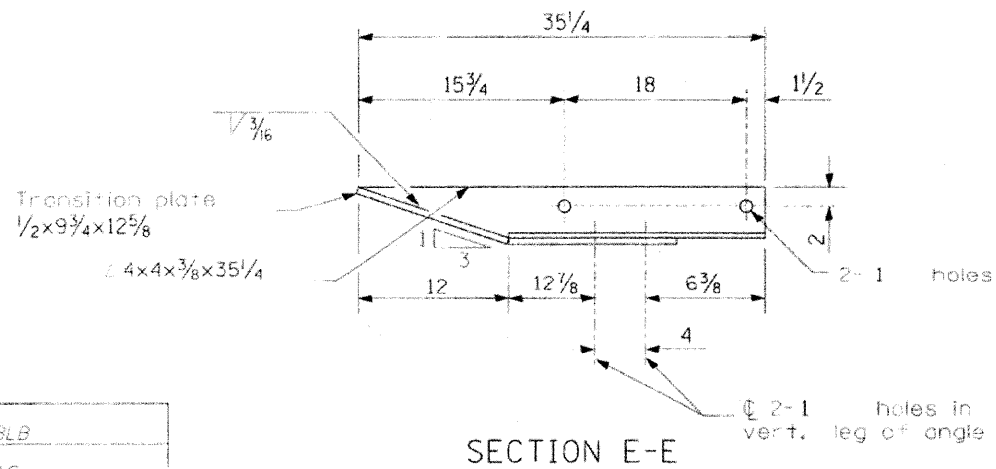
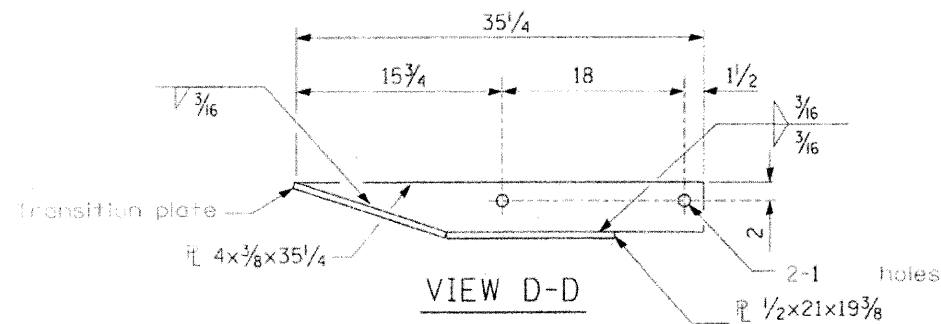


- ϕ 4-1 holes for 7/8 H.S. bolts and nuts
- ⊗ Drill and tap 3 holes for 7/8 H.S. bolts.

LEGEND

GUARDRAIL CONNECTION PLATE ASSEMBLY DETAILS

(Mirror for opposite end)



DESIGNED	BLB
CHECKED	AS
DRAWN	BCD
CHECKED	BLB

TRAFFIC BARRIER TERMINAL
TYPE 6A (SPECIAL)
STRUCTURE NO. 056-3192

SHEET NO. 3 3 SHEETS	TR	SECTION	COUNTY	TOTAL SHEETS	SHEET NO.
	21	08-00356-00-BR	MCHENRY	67	54
CONTRACT NO. 63666					
FED. ROAD DIST. NO. 1 ILLINOIS			FED. AID PROJECT BRS-00D(1683)		