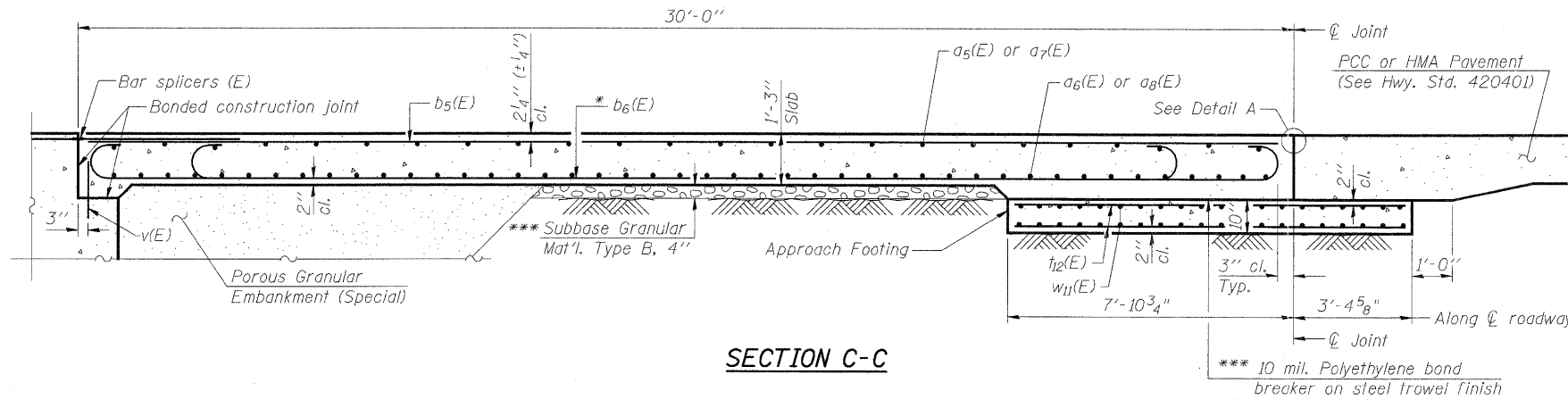


STATE OF ILLINOIS
DEPARTMENT OF TRANSPORTATION

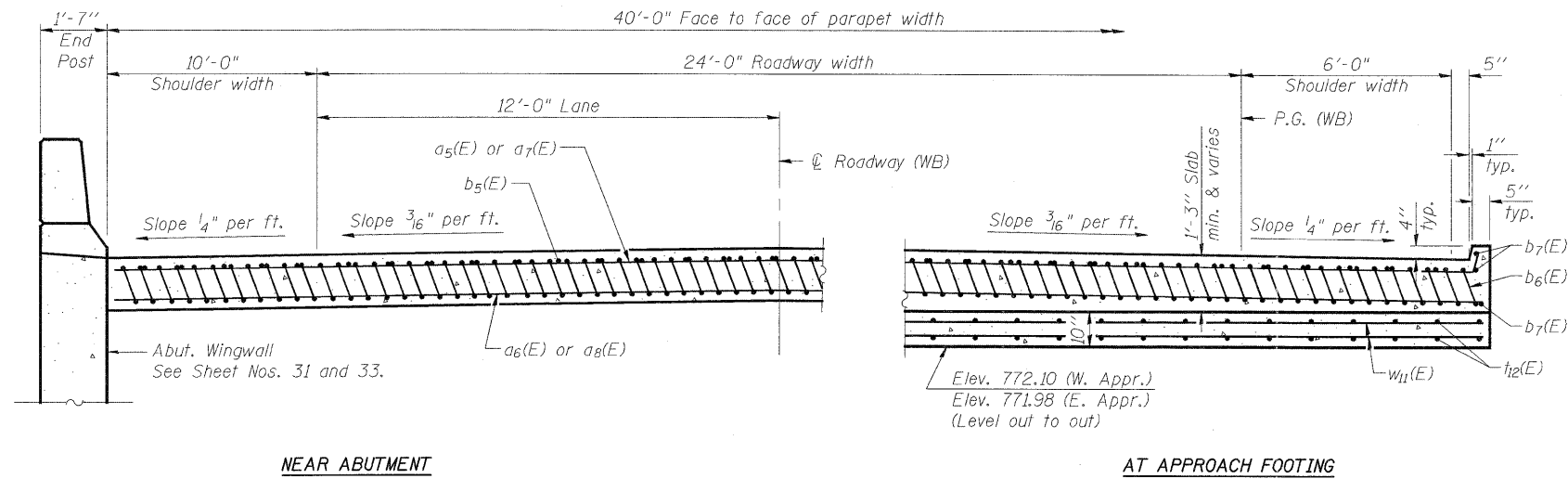
ROUTE NO.	SECTION	COUNTY	TOTAL SHEETS	SHEET NO.	SHEET NO. 17 47 SHEETS
FAP 301	177-2	STEPHENSON	211	99	
FED. ROAD DIST. NO. 7	ILLINOIS	FED. AID PROJECT			

Contract No.



Notes:

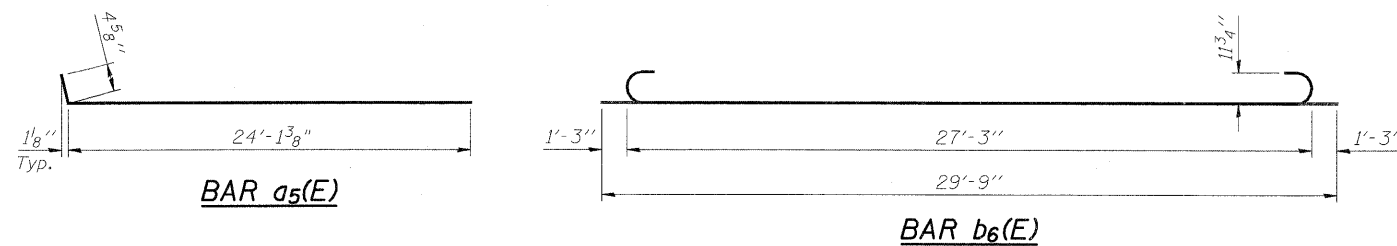
- See Sheet No. *16 for Detail A and View B-B.
 - Approach slab and parapet concrete shall be paid for as Concrete Superstructure.
 - Approach footing concrete shall be paid for as Concrete Structures.
 - Reinforcement shall be paid for as Reinforcement Bars, Epoxy Coated.
 - For v(E) bar details, see Sheet Nos. *31 and *33.
 - The approach footing maximum applied service bearing pressure (Q_{max}) = 2.0 ksf.
 - For bar splicer details, see Sheet No. *40.
 - Cost of excavation for approach footing included with Concrete Structures.
 - For Porous Granular Embankment (Special) and drainage treatment details, see Sheet No. *2.
 - For additional parapet details, see Sheet Nos. *31 and *33.
- * Sheet No. 15 in reference to Contract 64799



- * Tilt #9 b₁(E) bars as required to maintain clearance.
- *** Cost included with Concrete Superstructure.

TWO APPROACHES
BILL OF MATERIAL

Bar	No.	Size	Length	Shape
a ₅ (E)	52	#4	24'-6"	—
a ₆ (E)	48	#5	46'-9"	—
a ₇ (E)	48	#4	23'-3"	—
a ₈ (E)	44	#5	44'-9"	—
b ₅ (E)	64	#4	29'-8"	—
b ₆ (E)	192	#9	29'-9"	—
b ₇ (E)	12	#4	15'-9"	—
t ₁₂ (E)	172	#4	10'-11"	—
w ₁₁ (E)	80	#5	46'-9"	—
Bridge Deck Grooving		Sq. Yd.	257	
Protective Coat		Sq. Yd.	276	
Concrete Superstructure		Cu. Yd.	125.6	
Concrete Structures		Cu. Yd.	29.1	
Reinforcement Bars, Epoxy Coated		Pound	32730	



DESIGNED	H.ALKHATIB
CHECKED	S.CHELBIAN
DRAWN	H.ALKHATIB
CHECKED	J.GRAINAWI

PARSONS
BRINCKERHOFF

280 West Monroe St.
Suite 900
Chicago, IL 60606
(312) 782-8160

BRIDGE APPROACH SLAB
DETAILS II
F.A.P. ROUTE 301 SECTION 177-2B-1
STEPHENSON COUNTY
STATION 540+65.71
STRUCTURE NO. 089-0082
CONTRACT 64860