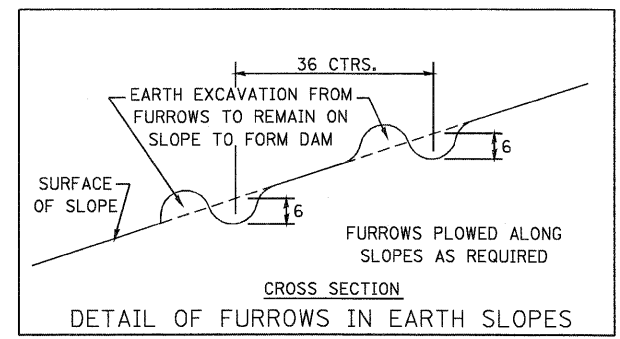
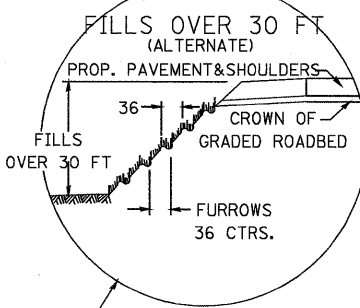
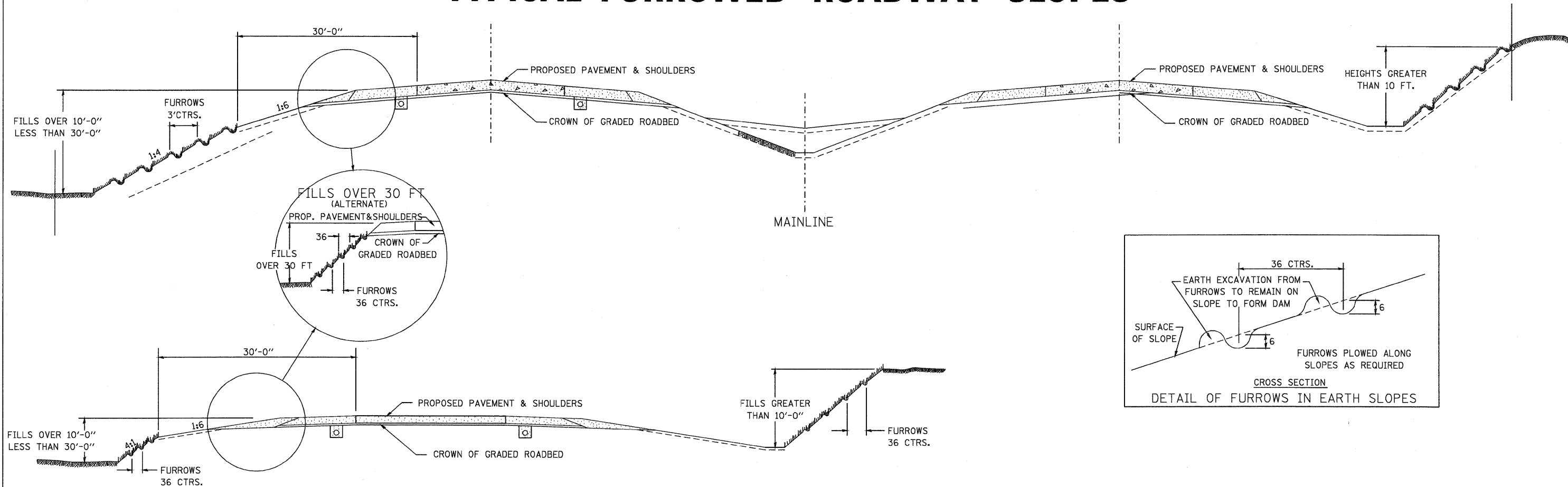
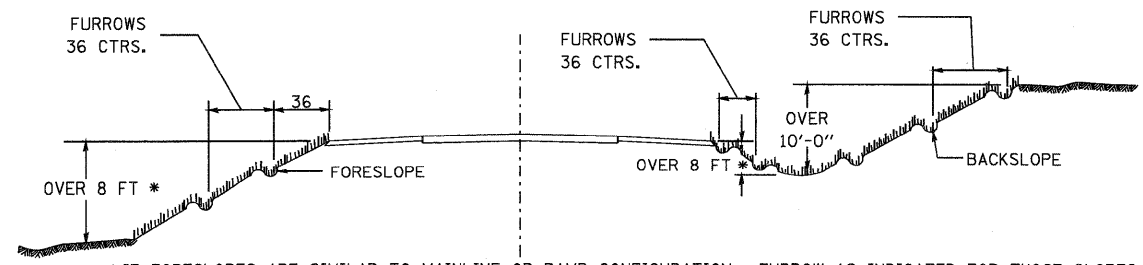
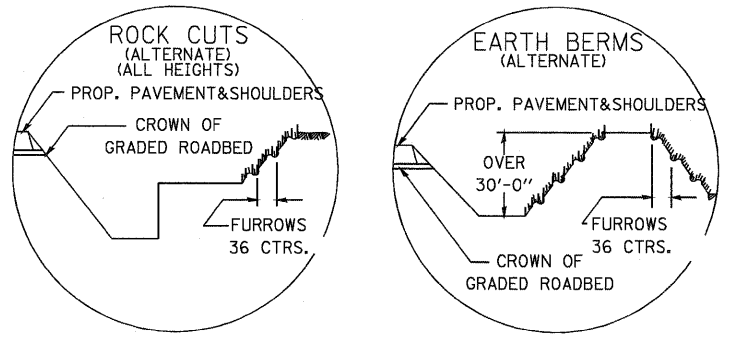


TYPICAL FURROWED ROADWAY SLOPES



RAMPS



* IF FORESLOPES ARE SIMILAR TO MAINLINE OR RAMP CONFIGURATION, FURROW AS INDICATED FOR THOSE SLOPES.

CROSSROAD GRADE SEPERATIONS

GENERAL NOTES

- IN GENERAL, THE ENTIRE EARTH SURFACE WITHIN THE RIGHT-OF-WAY SHALL BE SEEDED AND MULCHED.
- NO AGRICULTURAL GROUND LIMESTONE SHALL BE APPLIED TO THE GRADED ROADBED.
- FORESLOPES AND/OR BACKSLOPES 10 FT. OR LESS IN HEIGHT WILL NOT REQUIRE FURROWING UNLESS OTHERWISE NOTED IN THE PLANS OR AS DIRECTED BY THE ENGINEER.
- FORESLOPES AND/OR BACKSLOPES OVER 10 FT. IN HEIGHT SHALL BE FURROWED. THE OPERATION SHALL INCLUDE FINISHING THE SLOPES TO FINAL LINE AND GRADE, AS SHOWN ON THE CROSS SECTIONS BEFORE FURROWING IS DONE. FURROWS SHALL BE PLOWED ALONG A LEVEL LINE CONFORMING TO THE CONTOURS OF THE SLOPE. THE COST OF FURROWING SHALL BE CONSIDERED INCLUDED IN THE PROJECT COST AND NO ADDITIONAL COMPENSATION WILL BE ALLOWED.

SEQUENCE AND OPERATION FOR SEEDING, MULCHING AND FURROWING OF ROADWAY SLOPES:

1. SPREAD FERTILIZER.
2. PERFORM THE OPERATION OF GROUND PREPARATION.
3. PLOW FURROWS.
4. PERFORM THE OPERATION OF SEEDING. THE SEED SHALL BE SOWN ON THE SURFACE OF THE PREPARED GROUND AFTER FURROWING.
5. THE OPERATION OF COVERING THE SEED, BY HARROWING OR OTHER MEANS, SHALL BE PERFORMED ONLY IF SO DIRECTED BY THE ENGINEER AND SHALL BE INCLUDED TO THE ITEM OF SEEDING.
6. SECTION 250 AND 251 OF THE STANDARD SPECIFICATIONS SHALL GOVERN THIS WORK EXCEPT AS NOTED HEREIN.

ALL DIMENSIONS ARE IN INCHES UNLESS OTHERWISE NOTED.

| | | | | | | | | | | | | | |
|--|-----------------|------------|--------------------|---|---------------------------------------|-----------|------|---------|---|------------|--------|--------------|-----------|
| FILE NAME = T:\16814A\Civil\PAV.Plans\20PAV-D2-Det.dgn | USER NAME = MMS | DESIGNED - | REVISED - 10-17-11 | STATE OF ILLINOIS DEPARTMENT OF TRANSPORTATION | REGION 2 / DISTRICT 2 STANDARD | | | | F.A. RTE. | SECTION | COUNTY | TOTAL SHEETS | SHEET NO. |
| PLOT SCALE = 50.00' / IN. | CHECKED - | REVISED - | 301 | | | | | | 177-2-1 | STEPHENSON | 211 | 114 | |
| PLOT DATE = 9/28/11 | DATE - | REVISED - | CONTRACT NO. 64860 | | | | | | FED. ROAD DIST. NO. ILLINOIS FED. AID PROJECT | | | | |
| | | | | SCALE: | SHEET NO. | OF SHEETS | STA. | TO STA. | | | | | |