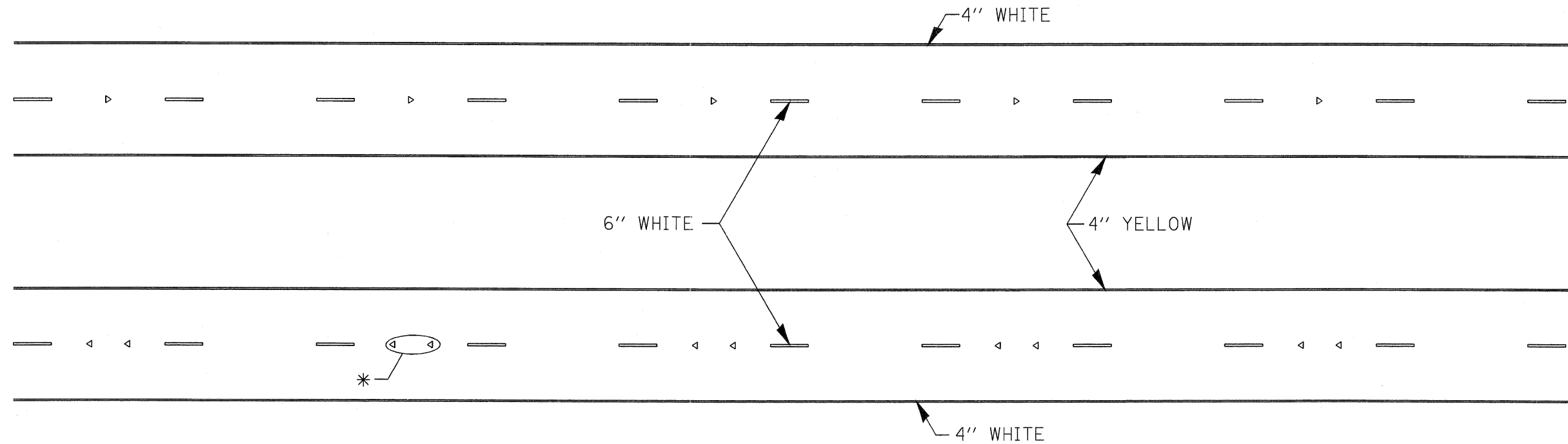
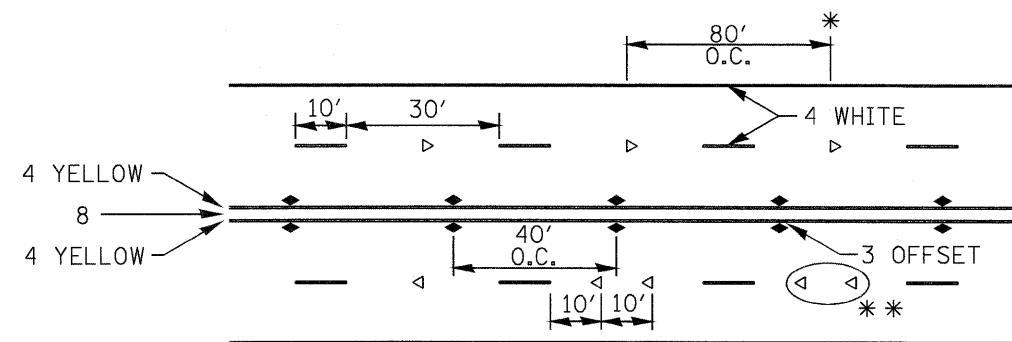


# TYPICAL PAVEMENT MARKINGS



\* SEE HIGHWAY STANDARD 781001 FOR SPACING DETAILS.  
USE DOUBLE MARKERS WHEN ADT  $\geq$  25,000.

## MULTI-LANE / DIVIDED

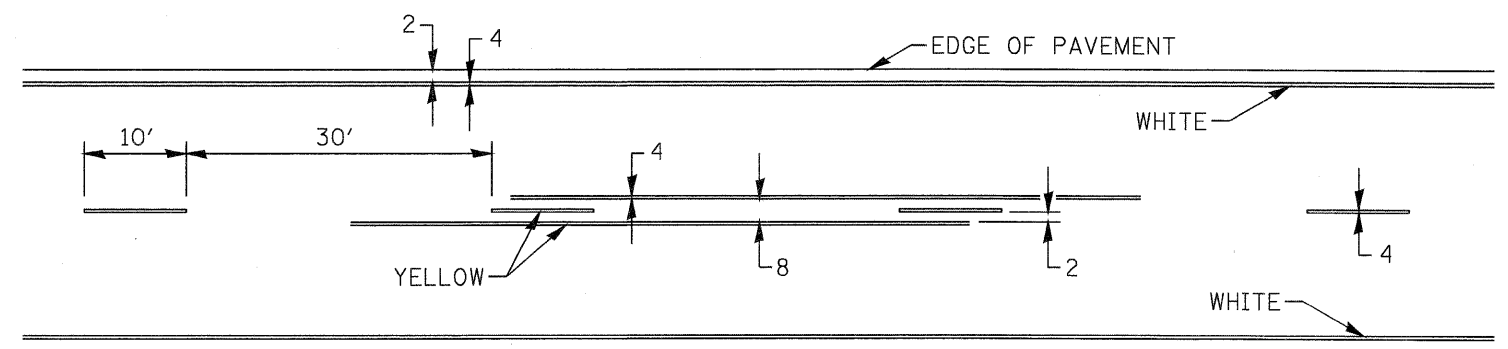


\* REDUCE TO 40' O.C. ON CURVES WHERE ADVISORY SPEEDS ARE 10 MPH LOWER THAN POSTED SPEEDS.  
\*\* USE DOUBLE MARKERS WHEN ADT  $\geq$  25,000

## MULTI-LANE / UNDIVIDED

(FOR MULTI-LANE UNDIVIDED HIGHWAYS USE THIS  
DETAIL NOT HIGHWAY STANDARD 781001)

## TYPICAL PAVEMENT MARKING FOR TWO LANE SECTION - NO PASSING ZONES



### SYMBOLS

FILE NAME = T:\16814A\Civil\PAV.Plans\20PAV-D2-Det.dgn	USER NAME = MMS	DESIGNED -	REVISED - 10-18-11	<b>STATE OF ILLINOIS DEPARTMENT OF TRANSPORTATION</b>	<b>REGION 2 / DISTRICT 2 STANDARD</b>			F.A. RTE. 301	SECTION 177-2-1	COUNTY STEPHENSON	TOTAL SHEETS 211	SHEET NO. 121
PLOT SCALE = 50.00' / IN.	CHECKED -	REVISED -	SCALE:					SHEET NO.	OF SHEETS	STA.	TO STA.	FED. ROAD DIST. NO.
PLOT DATE = 9/28/11	DATE -	REVISED -	<b>TYPICAL PAVEMENT MARKINGS SHEET 3 OF 3</b>									
<b>41.1</b>												