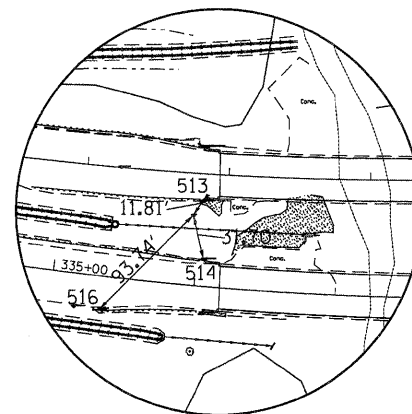
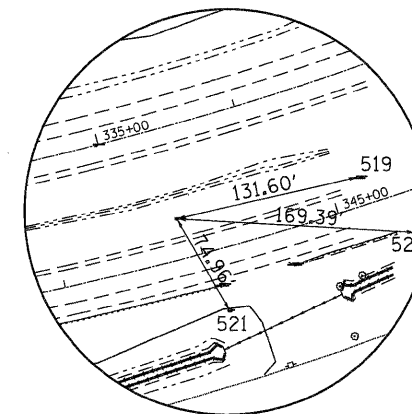


SURVEY WORK POINTS							
POINT	NORTH	EAST	ELEVATION	CHAIN	STATION	OFFSET	DESCRIPTION
103	2111262.1510	2202286.4200	840.2167	WBUS20	413+55.87	20.9037' RT	PIN, SET PIN FOR CONTROL
104	2111135.8610	2202406.2420	822.7190	EBUS20	423+18.43	33.9832' LT	PIN, SET PIN FOR CONTROL
105	2111575.6850	2202347.4370	824.7098	WBUS20	414+18.63	292.2876' LT	PIN, SET PIN FOR CONTROL
106	2111021.5780	2193844.8310	676.3138	WBUS20	327+76.39	29.7671' RT	DISK, CONCRETE
107	2111066.0347	2194619.9700	668.3920	EBUS20	343+88.60	28.3629' LT	CONCRETE, SET PIN FOR CONTROL

REFERENCE TIES				
POINT	CHAIN	STATION	OFFSET	DESCRIPTION
513	WBUS20	327+82.37	19.6226' RT	CROSS CUT, HUB GUARD
514	EBUS20	336+05.17	19.3063' LT	CROSS CUT, HUB GUARD
515	EBUS20	336+06.48	19.0048' RT	CROSS CUT, HUB GUARD
516	EBUS20	335+35.51	23.2403' RT	END, GUARDRAIL STEEL PLATE BEAM
517	EBUS20	344+07.14	24.7043' RT	END, GUARDRAIL STEEL PLATE BEAM
518	EBUS20	344+60.13	24.6922' RT	END, GUARDRAIL STEEL PLATE BEAM
519	EBUS20	345+21.28	20.3907' LT	END, GUARDRAIL STEEL PLATE BEAM
520	EBUS20	345+47.61	29.6277' RT	SHINER, SIGN POLE
521	EBUS20	344+07.92	43.9372' RT	SHINER, TREE DECIDUOUS
522	EBUS20	423+35.07	40.8212' LT	SHINER, SIGN POLE



HORIZONTAL CONTROL POINT NO. 106



HORIZONTAL CONTROL POINT NO. 107

NOTE: SURVEY DATA PROVIDED BY THE ILLINOIS DEPARTMENT OF TRANSPORTATION.