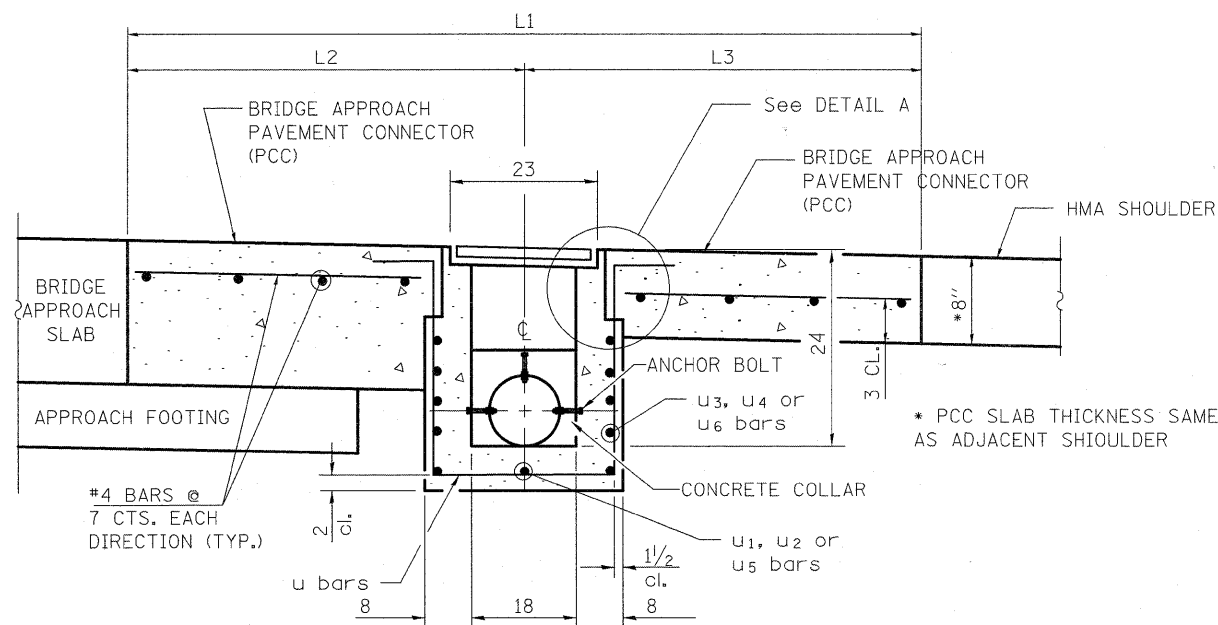
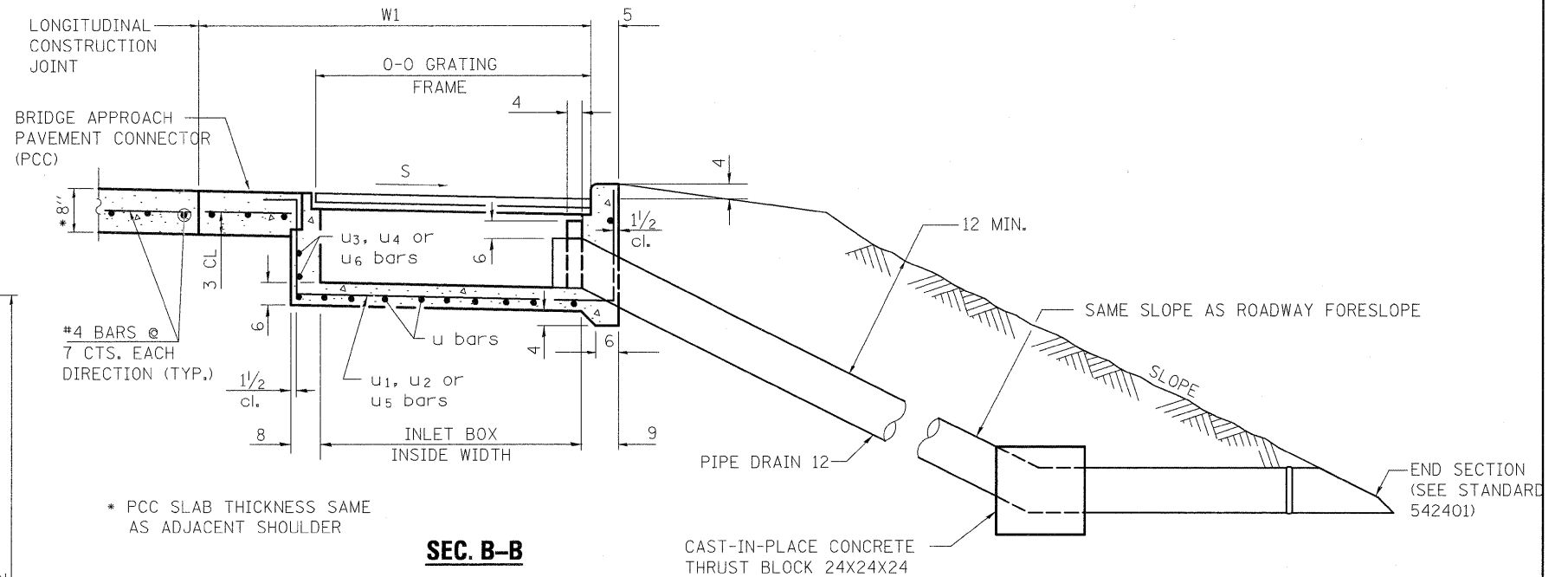


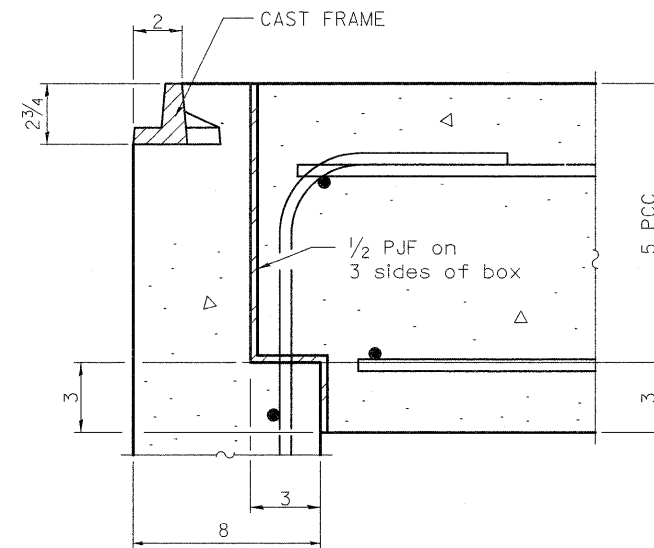
PLAN



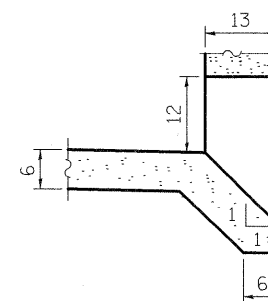
SECTION A-A



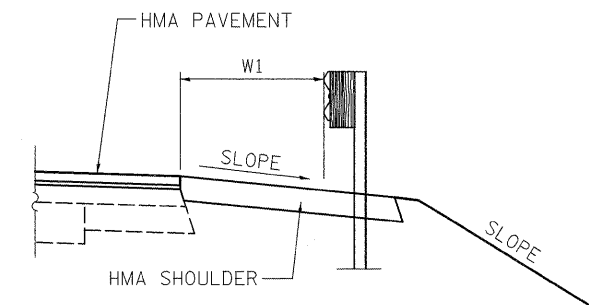
SEC. B-B



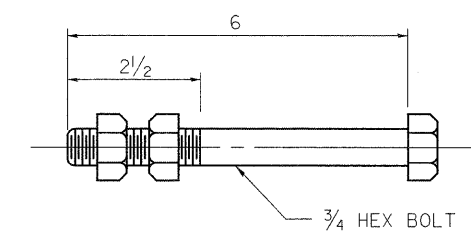
DETAIL A



BOX OUTLET WHEN PRECAST



SECTION C-C



ANCHOR BOLT

(USED TO TIE PIPE TO CONCRETE COLLAR)

GENERAL NOTES

ALL EXPOSED EDGES OF THE INLET, EXCEPT THE UPPER PERIMETER, SHALL BE BEVELED 3/4.

ALL DIMENSION ARE IN INCHES UNLESS OTHERWISE SHOWN.

USER NAME = #OPERATOR#	DESIGNED -	REVISED -		1701 ROUTE 35 NORTH EAST DUBUQUE, IL 61025 (815) 747-8833 DESIGN FIRM #184001036
FILE NAME = #FILES#	CHECKED -	REVISED -		
PLOT DATE = Thu Dec 08 10:37:35	DRAWN -	REVISED -		
PLOT TIME = #TIME#	CHECKED -	REVISED -		

STATE OF ILLINOIS
DEPARTMENT OF TRANSPORTATION

US 20 INLET BOX DETAILS,
STANDARD 609006 (SPECIAL)

SCALE: N.T.S. SHEET NO. 1 OF 2 SHEETS STA. TO STA.

F.A.P. RTE.	SECTION	COUNTY	TOTAL SHEETS	SHEET NO.
301	(43B,44B,44HB,45B)D	JO DAVIESS	309	83
CONTRACT NO. 64C94			ILLINOIS FED. AID PROJECT	