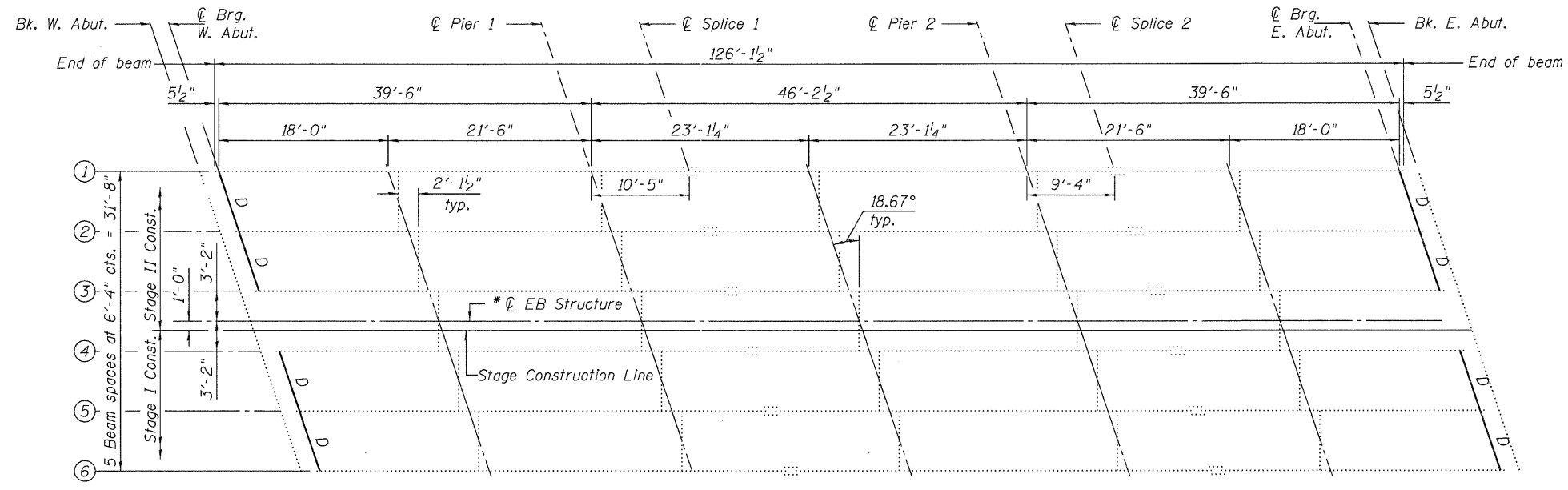
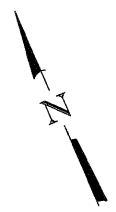


WB FRAMING PLAN



EB FRAMING PLAN

Notes:
 All existing beams are 24WF100.
 * See sheet 2 of 28 for location of EB and WB Structures relative to their Local Tangents.

USER NAME = dheberling	DESIGNED - R.JN/BRD	REVISED -		7018 KINGSMILL CT., SPRINGFIELD, IL (217) 483-9457 DESIGN FIRM #184001036	STATE OF ILLINOIS DEPARTMENT OF TRANSPORTATION	FRAMING PLAN STRUCTURE NO. 043-0002 & 043-0003	F.A.P. RTE. 301	SECTION (43B, 44B, 44HB, 45B)D	COUNTY JO DAVIESS	TOTAL SHEETS 309	SHEET NO. 103				
FILE NAME = 043000283-64C94.dgn	CHECKED - SBC	REVISED -					CONTRACT NO. 64C94				ILLINOIS FED. AID PROJECT				
PLOT DATE = 12/6/2011	DRAWN - DLH	REVISED -													
PLOT TIME = 10:02:58 AM	CHECKED - SBC	REVISED -													