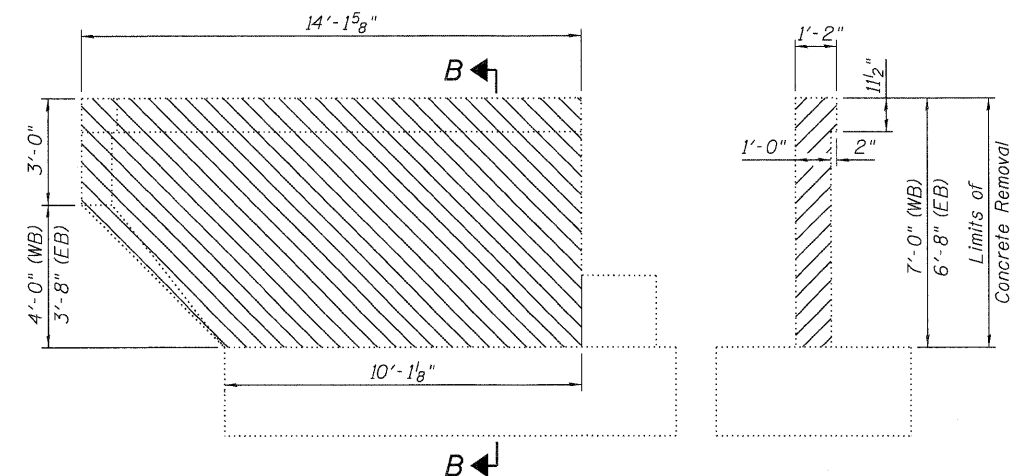
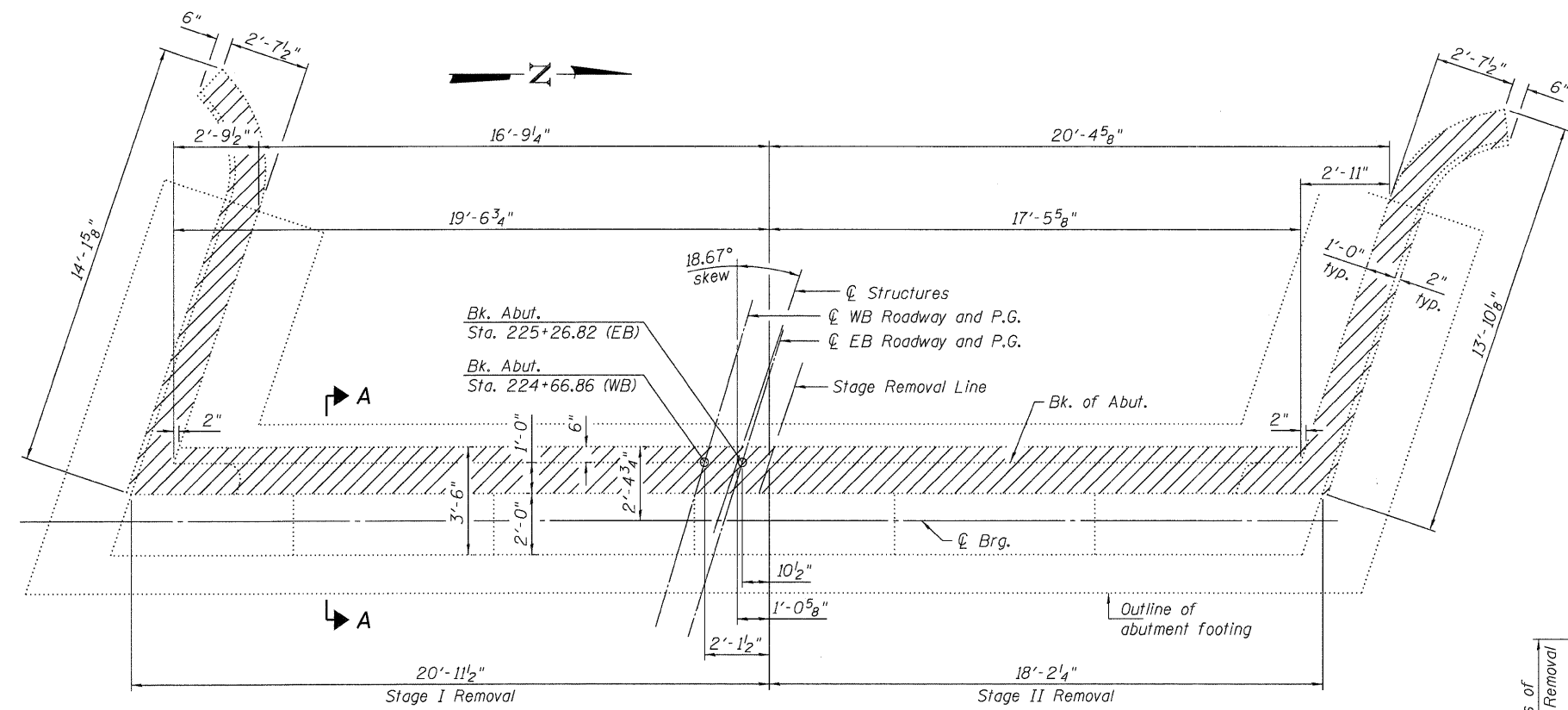


**ELEVATION**

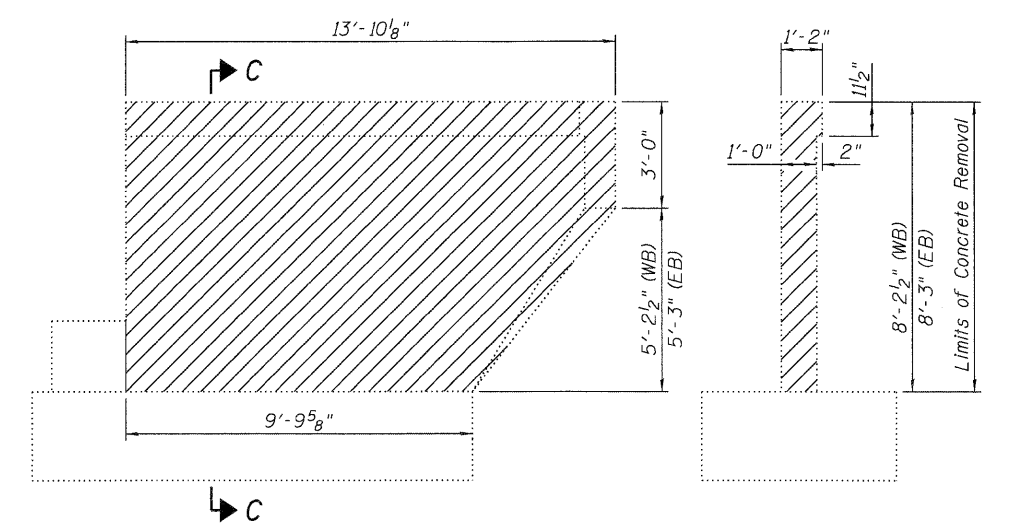


**SOUTH WINGWALL ELEVATION**

**SECTION B-B**

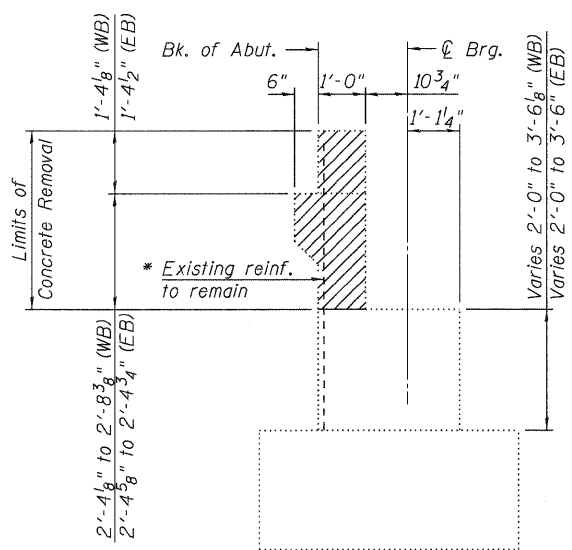


**PLAN**



**NORTH WINGWALL ELEVATION**

**SECTION C-C**



**SECTION A-A**  
(Showing limits of concrete removal)

\* Existing reinforcement shall be cleaned and incorporated into the new construction. Cost included with Concrete Removal.

**TWO ABUTMENTS  
BILL OF MATERIALS**

| Item             | Unit    | Total |
|------------------|---------|-------|
| Concrete Removal | Cu. Yd. | 27.4  |

Note:  
Hatched areas indicate Concrete Removal.