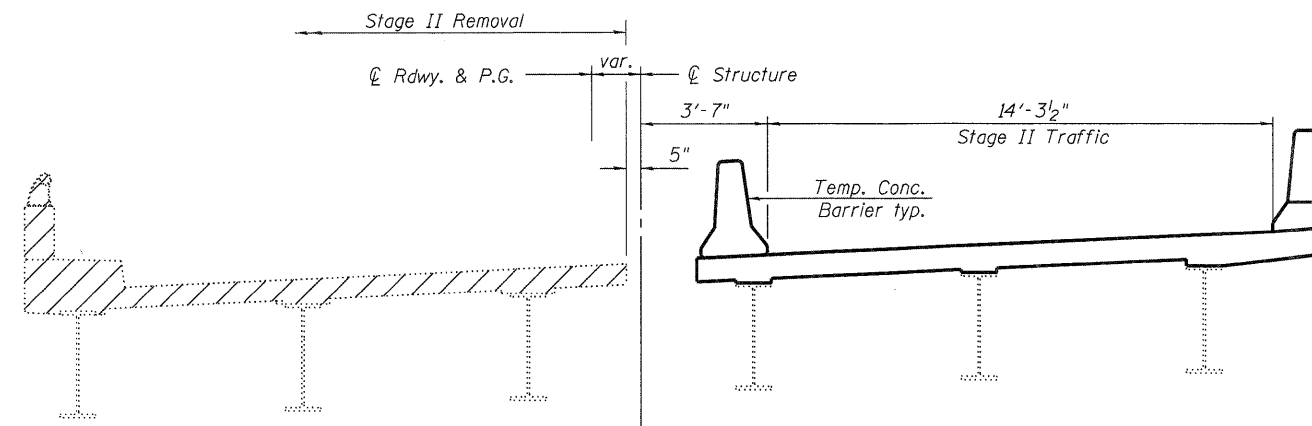
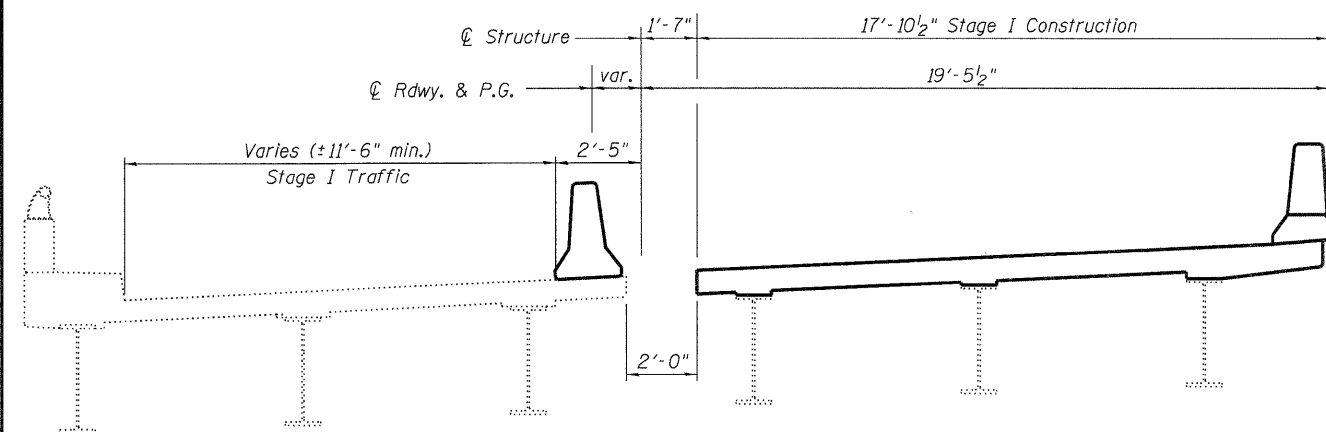


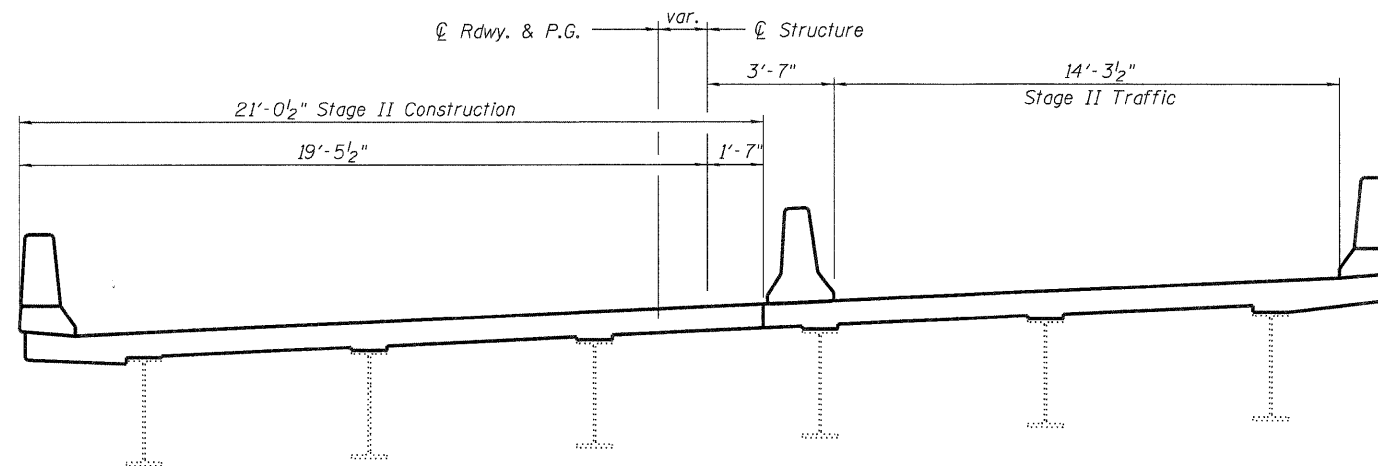
STAGE I REMOVAL



STAGE II REMOVAL



STAGE I CONSTRUCTION



STAGE II CONSTRUCTION

Notes:

Hatched area indicates Removal of Concrete Deck No. 2.
 For details of Temporary Concrete Barrier, see sheet 5 of 27.
 Temporary Concrete Barrier quantity included with Roadway Plans.
 All sections are looking East.

USER NAME = dheber1ing	DESIGNED - BRD	REVISED -
FILE NAME = 043000485-64C94.dgn	CHECKED - SDS	REVISED -
PLOT DATE = 12/6/2011	DRAWN - DLH	REVISED -
PLOT TIME = 10:06:38 AM	CHECKED - BRD/SDS	REVISED -

WHKS & CO.
 ENGINEERING
 7018 KINGSMILL CT.,
 SPRINGFIELD, IL
 (217) 483-9457
 DESIGN FIRM #184001036

STATE OF ILLINOIS
DEPARTMENT OF TRANSPORTATION

STAGE CONSTRUCTION DETAILS
STRUCTURE NO. 043-0004 & 043-0005

SHEET NO. 3 OF 27 SHEETS

F.A.P. RTE.	SECTION	COUNTY	TOTAL SHEETS	SHEET NO.
301	(43B, 44B, 44HB, 45BID)	JO DAVIESS	309	116
				CONTRACT NO. 64C94
ILLINOIS FED. AID PROJECT				