

INSIDE FACE OF NORTH PARAPET

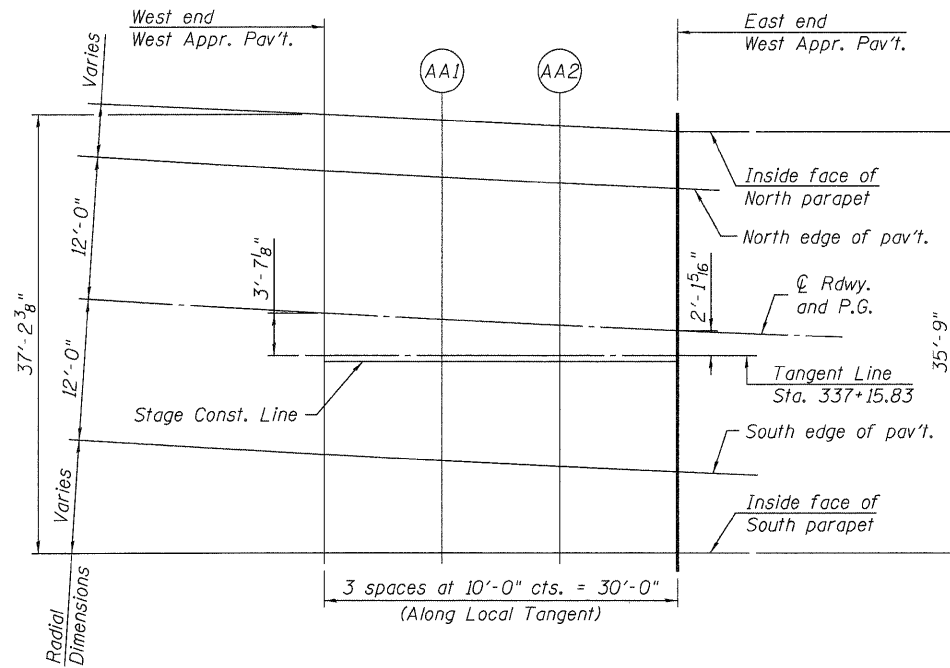
Location	Station	Offset	Theoretical Grade Elevations
W. end of W. Appr. Pav't.	335+86.58	-16.79	676.53
AA1	335+96.66	-16.85	676.16
AA2	336+06.75	-16.87	675.80
E. end of W. Appr. Pav't.	336+16.83	-16.84	675.45
W. end of E. Appr. Pav't.	338+14.35	-16.86	669.93
AA3	338+24.44	-16.90	669.72
AA4	338+34.52	-16.88	669.51
E. end of E. Appr. Pav't.	338+44.61	-16.82	669.31

NORTH EDGE OF PAVEMENT

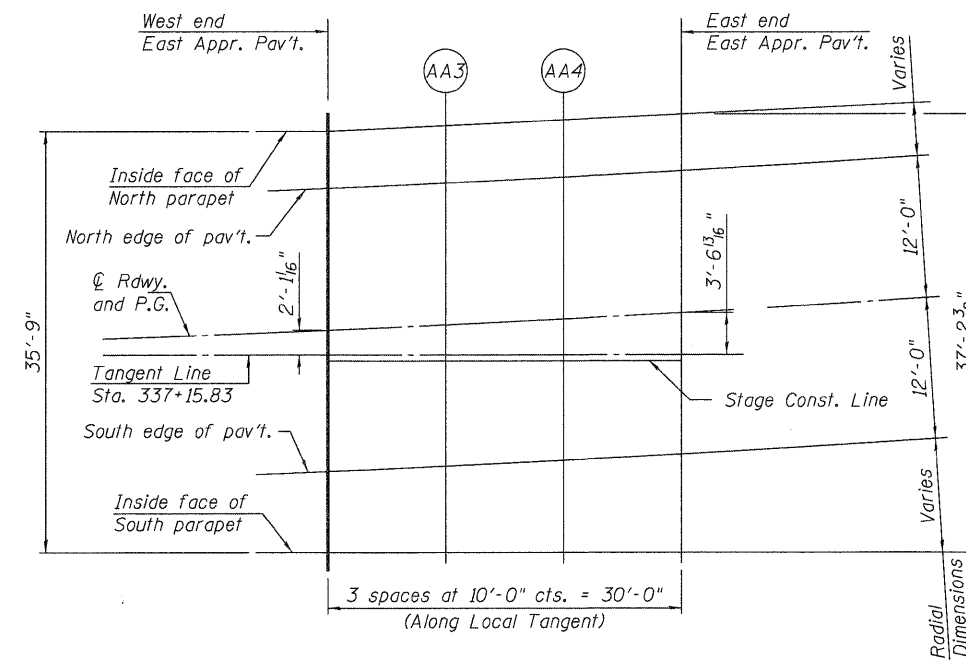
Location	Station	Offset	Theoretical Grade Elevations
W. end of W. Appr. Pav't.	335+86.85	-12.00	676.74
AA1	335+96.92	-12.00	676.37
AA2	336+06.99	-12.00	676.01
E. end of W. Appr. Pav't.	336+17.05	-12.00	675.66
W. end of E. Appr. Pav't.	338+14.14	-12.00	670.15
AA3	338+24.20	-12.00	669.94
AA4	338+34.27	-12.00	669.73
E. end of E. Appr. Pav't.	338+44.34	-12.00	669.53

☉ OF ROADWAY & P.G.

Location	Station	Offset	Theoretical Grade Elevations
W. end of W. Appr. Pav't.	335+87.53	0.00	677.25
AA1	335+97.54	0.00	676.89
AA2	336+07.55	0.00	676.53
E. end of W. Appr. Pav't.	336+17.56	0.00	676.18
W. end of E. Appr. Pav't.	338+13.63	0.00	670.70
AA3	338+23.64	0.00	670.50
AA4	338+33.65	0.00	670.29
E. end of E. Appr. Pav't.	338+43.66	0.00	670.08



PLAN



PLAN

STAGE CONSTRUCTION LINE

Location	Station	Offset	Theoretical Grade Elevations
W. end of W. Appr. Pav't.	335+87.76	4.08	677.43
AA1	335+97.72	3.54	677.04
AA2	336+07.70	3.05	676.66
E. end of W. Appr. Pav't.	336+17.68	2.60	676.29
W. end of E. Appr. Pav't.	338+13.49	2.58	670.82
AA3	338+23.49	3.03	670.63
AA4	338+33.47	3.52	670.45
E. end of E. Appr. Pav't.	338+43.43	4.05	670.27

SOUTH EDGE OF PAVEMENT

Location	Station	Offset	Theoretical Grade Elevations
W. end of W. Appr. Pav't.	335+88.20	12.00	677.77
AA1	335+98.16	12.00	677.41
AA2	336+08.12	12.00	677.05
E. end of W. Appr. Pav't.	336+18.08	12.00	676.70
W. end of E. Appr. Pav't.	338+13.12	12.00	671.25
AA3	338+23.07	12.00	671.05
AA4	338+33.03	12.00	670.84
E. end of E. Appr. Pav't.	338+43.03	12.00	670.64

INSIDE FACE OF SOUTH PARAPET

Location	Station	Offset	Theoretical Grade Elevations
W. end of W. Appr. Pav't.	335+88.66	20.35	678.13
AA1	335+98.56	19.81	677.74
AA2	336+08.46	19.32	677.37
E. end of W. Appr. Pav't.	336+18.37	18.88	677.00
W. end of E. Appr. Pav't.	338+12.82	18.85	671.57
AA3	338+22.74	19.30	671.38
AA4	338+32.64	19.79	671.20
E. end of E. Appr. Pav't.	338+42.54	20.32	671.02