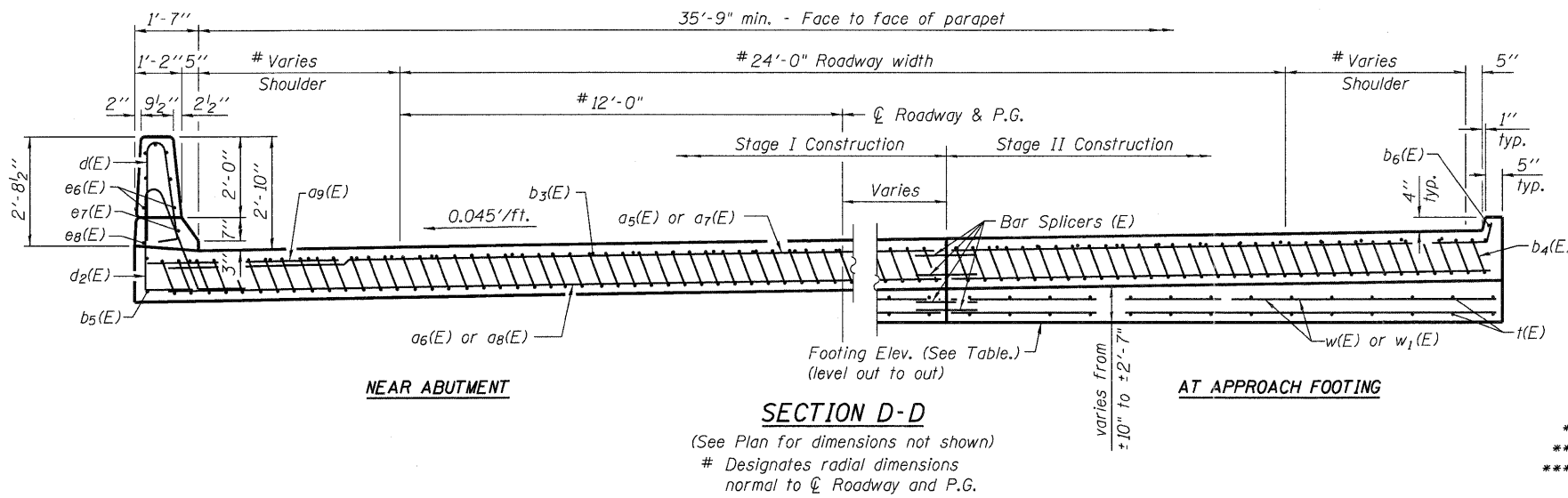
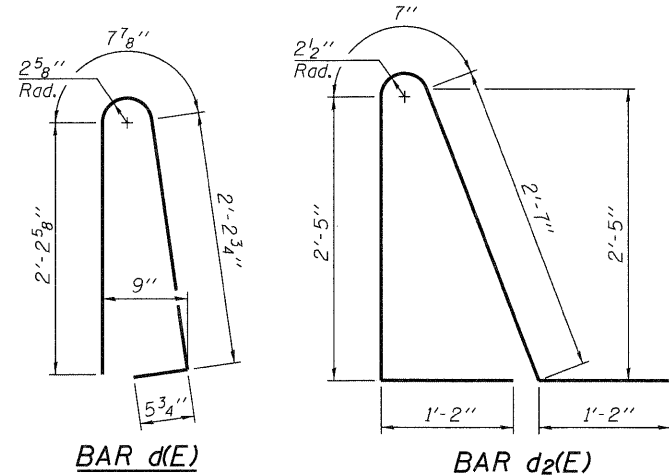


Notes:
 See sheet 16 of 27 for Detail A and View B-B.
 Approach slab and parapet concrete shall be paid for as Concrete Superstructure.
 Approach footing concrete shall be paid for as Concrete Structures.
 Reinforcement shall be paid for as Reinforcement Bars, Epoxy Coated.
 For v(E) bar details, see sheet 15 of 27.
 The approach footing maximum applied service bearing pressure (Qmax) = 2.0 ksf.
 For bar splicer details, see sheet 27 of 27.
 Cost of excavation for approach footing included with Concrete Structures.
 For Porous Granular Embankment (Special) and drainage treatment details, see sheet 2 of 27.
 For additional parapet details, see sheet 15 of 27.

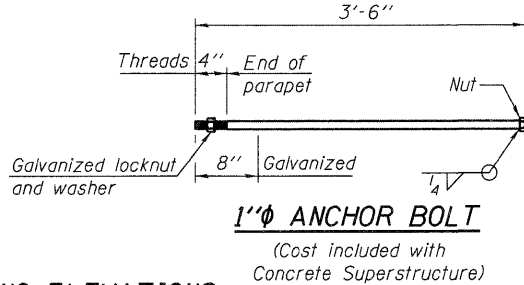


* Tilt #9 b4(E) bars as required to maintain clearance.
 ** Space between a5(E) and a7(E) bars, typ. ea. parapet.
 *** Cost included with Concrete Superstructure.
 **** See sheet 2 of 27 for location of centerline structure relative to local Tangent

**FOUR APPROACHES
 BILL OF MATERIAL**

Bar	No.	Size	Length	Shape
a5(E)	100	#4	17'-0"	—
a6(E)	184	#5	16'-11"	—
a7(E)	100	#4	21'-8"	—
a8(E)	184	#5	21'-7"	—
a9(E)	96	#6	6'-6"	—
b3(E)	124	#4	29'-9"	—
b4(E)	356	#9	29'-9"	—
b5(E)	8	#4	14'-8"	—
b6(E)	8	#4	14'-9"	—
d(E)	136	#5	5'-7"	—
d2(E)	136	#5	7'-11"	—
e6(E)	64	#4	14'-8"	—
e7(E)	8	#8	14'-8"	—
t(E)	328	#4	9'-9"	—
w(E)	160	#5	15'-11"	—
w1(E)	160	#5	22'-10"	—
Concrete Superstructure		Cu. Yd.	234.8	
Bar Splicers		Each	444	
Reinforcement Bars, Epoxy Coated		Pound	61,000	
Concrete Structures		Cu. Yd.	48.4	

Bars indicated thus 1 x 2-#8 etc. indicates 1 line of bars with 2 lengths per line.



FOOTING ELEVATIONS

Location	Elevation
West Bound West Appr.	675.01
West Bound West Appr.	667.91
West Bound West Appr.	674.36
West Bound West Appr.	667.20

