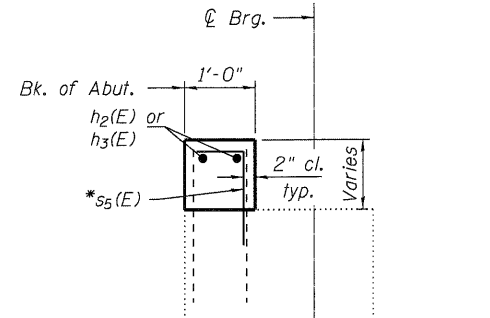
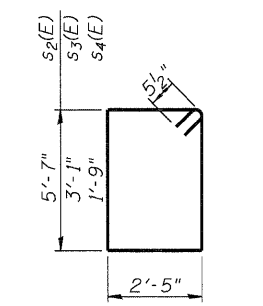


**EAST ABUTMENT
BILL OF MATERIAL**

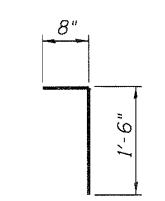
Bar	No.	Size	Length	Shape
h ₂ (E)	2	#5	17'-7"	—
h ₃ (E)	2	#5	20'-9"	—
h ₆ (E)	12	#5	8'-4"	—
h ₇ (E)	28	#5	10'-0"	—
h ₈ (E)	12	#5	7'-7"	—
h ₉ (E)	24	#5	8'-10"	—
s ₂ (E)	2	#5	16'-11"	┘
s ₃ (E)	1	#5	11'-11"	┘
s ₄ (E)	1	#5	9'-3"	┘
s ₅ (E)	41	#5	2'-2"	┘
u ₁ (E)	7	#6	4'-9"	┘
u ₂ (E)	3	#6	3'-2"	┘
v ₇ (E)	9	#5	16'-3"	—
v ₈ (E)	8	#5	18'-3"	—
Structure Excavation			Cu. Yd.	101
Concrete Structures			Cu. Yd.	7.2
Reinforcement Bars, Epoxy Coated			Pound	1,370



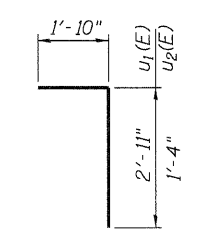
SECTION A-A



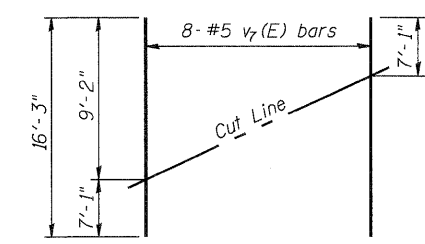
BAR s₂(E), s₃(E) & s₄(E)



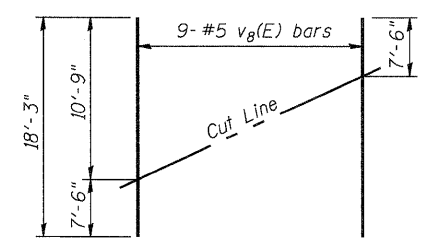
BAR s₅(E)



BAR u₁(E) & u₂(E)



FIELD CUTTING DIAGRAM
Order v₇(E) full length. Cut as shown and use remainder of bars in opposite face.



FIELD CUTTING DIAGRAM
Order v₈(E) full length. Cut as shown and use remainder of bars in opposite face.

Note:
* Drill and grout bars according to Article 584 of The Standard Specifications, 9" min. embedment and 4" min. clear cover on grouted bars except where noted.

USER NAME = dheber-Ing	DESIGNED - BRD	REVISED -
FILE NAME = 043000485-64C94.dwg	CHECKED - SDS	REVISED -
PLOT DATE = 12/6/2011	DRAWN - DLH	REVISED -
PLOT TIME = 10:07:48 AM	CHECKED - BRD/SDS	REVISED -

WHKS & CO.
ENGINEERING
7018 KINGSMILL CT.,
SPRINGFIELD, IL
(217) 483-9457
DESIGN FIRM #184001036

**STATE OF ILLINOIS
DEPARTMENT OF TRANSPORTATION**

**EAST ABUTMENT
STRUCTURE NO. 043-0004**
SHEET NO. 26 OF 27 SHEETS

F.A.P. RTE. 301	SECTION (43B, 44B, 44HB, 45BD)	COUNTY JO DAVIESS	TOTAL SHEETS 309	SHEET NO. 139
CONTRACT NO. 64C94			ILLINOIS FED. AID PROJECT	