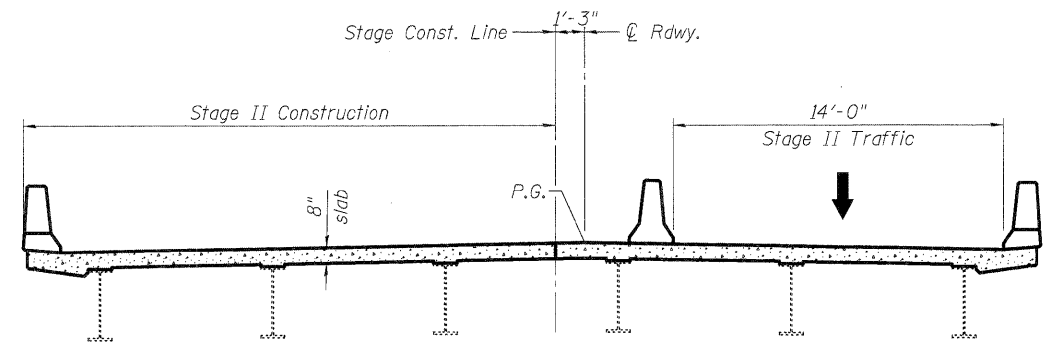
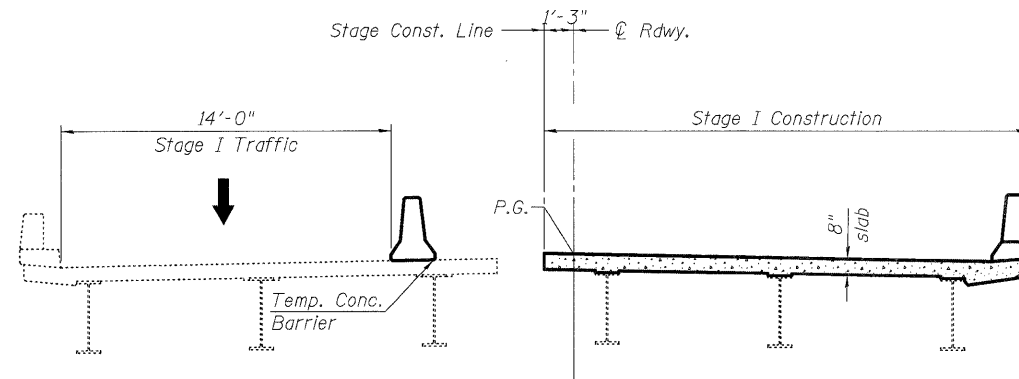


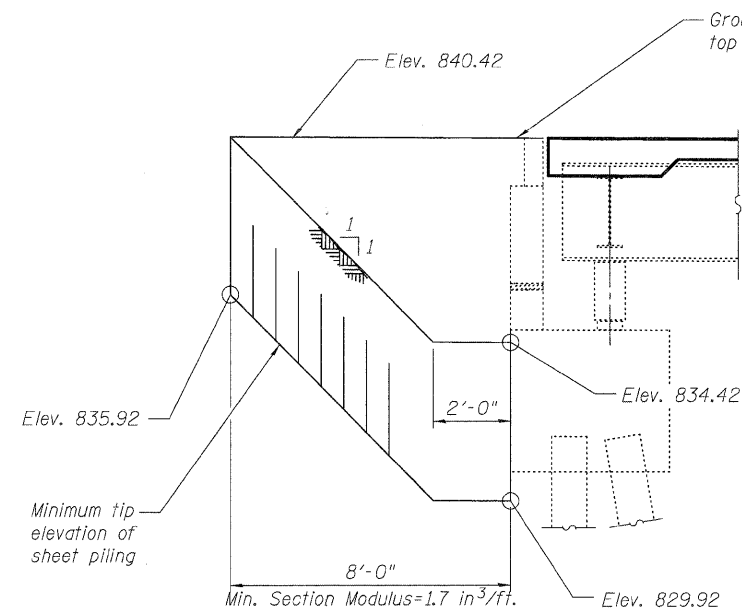
STAGE I REMOVAL
(Looking East)



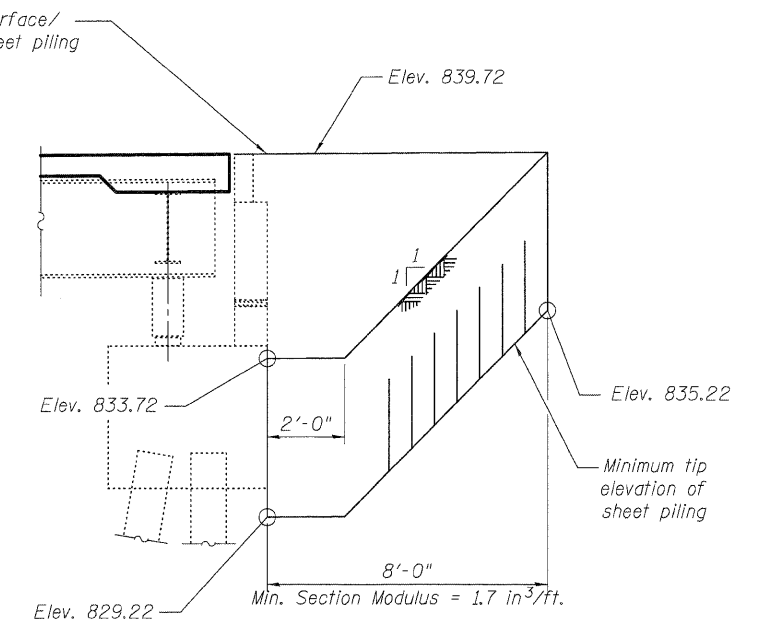
STAGE II CONSTRUCTION
(Looking East)



STAGE I CONSTRUCTION
(Looking East)



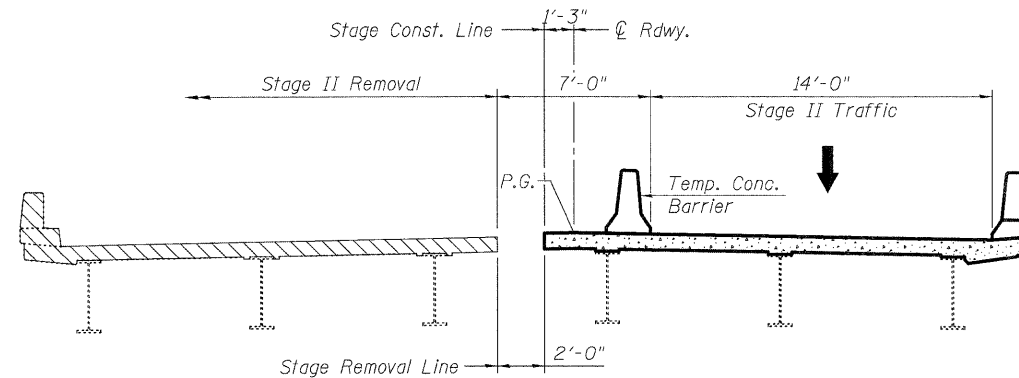
WEST ABUTMENT



EAST ABUTMENT

TEMPORARY SHEET PILING

Note:
If the Contractor chooses to alter the temporary cantilevered sheet piling design requirements shown on the plans, a design submittal including plan details and calculations will be required for review and acceptance by the Engineer.



STAGE II REMOVAL
(Looking East)

BILL OF MATERIAL

Item	Unit	Total
Temporary Sheet Piling	Sq. Ft.	132