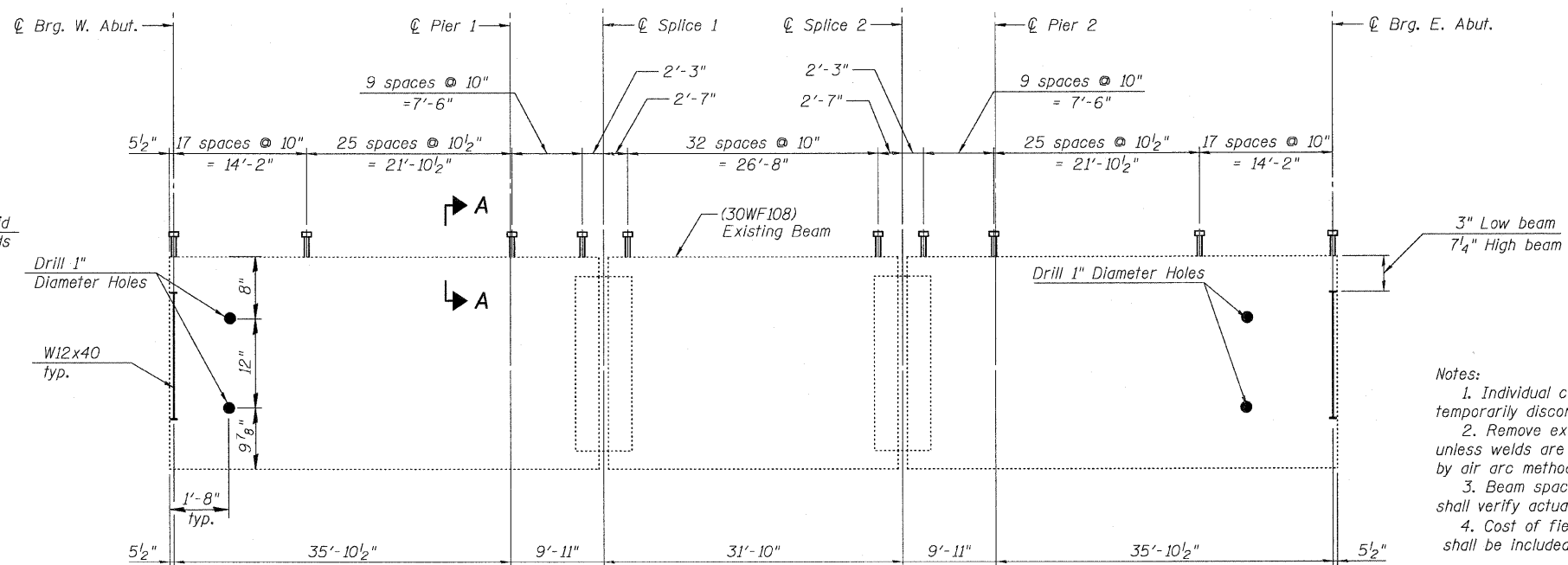
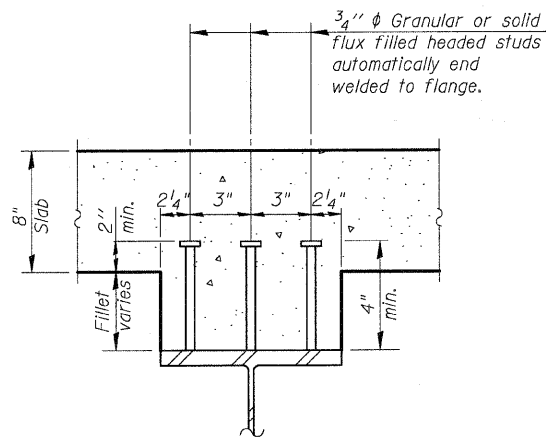


BEAM LAYOUT PLAN



BEAM ELEVATION



SECTION A-A

- Notes:
- Individual cross frames or diaphragms at supports may be temporarily disconnected to install bearing anchor rods.
 - Remove existing end diaphragms and angles by cold methods unless welds are encountered. If welding was used, remove weld by air arc method and grind web of stringers smooth.
 - Beam spacing is as shown on design drawings. Contractor shall verify actual spacing before fabricating end diaphragms.
 - Cost of field drilling of holes in the end diaphragm shall be included in Furnishing and Erecting Structural Steel.

BILL OF MATERIAL

Item	Unit	Total
Stud Shear Connectors	Each	2466

TERRA ENGINEERING LTD.
 225 W. OHIO ST., FOURTH FL.
 CHICAGO, IL 60654
 (312) 487-8123 F (312) 487-8222
 WWW.TERRAENGINEERING.COM

USER NAME = TERRA
 FILE NAME = 0430806-015-steel_details.dgn
 PLOT SCALE =
 PLOT DATE = 1/31/2012

DESIGNED - EA
 CHECKED - OY
 DRAWN - CM
 CHECKED - JB

REVISED -
 REVISED -
 REVISED -
 REVISED -

**STATE OF ILLINOIS
 DEPARTMENT OF TRANSPORTATION**

**STEEL DETAILS
 STRUCTURE NO. 043 - 0006**

SHEET NO. S15 OF S21 SHEETS

F.A.P. RTE.	SECTION	COUNTY	TOTAL SHEETS	SHEET NO.
301	(43B, 44B, 44HB, 45BD)	JO DAVIESS	309	155
CONTRACT NO. 64C94				
ILLINOIS FED. AID PROJECT				