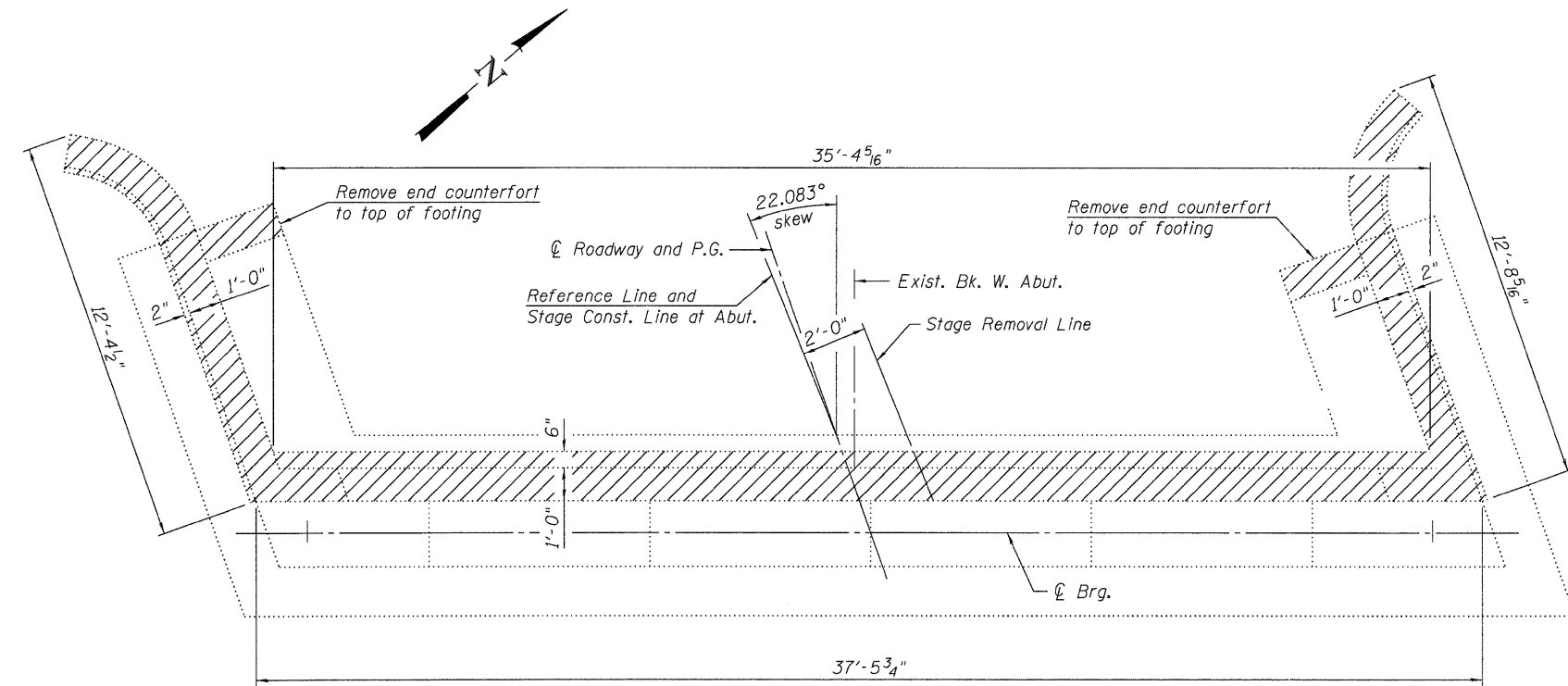
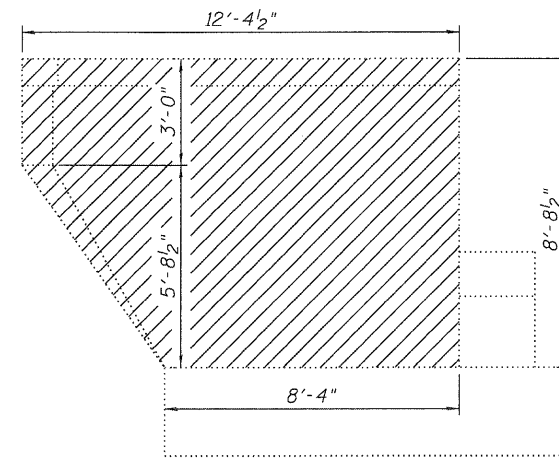


ELEVATION
(Looking West)

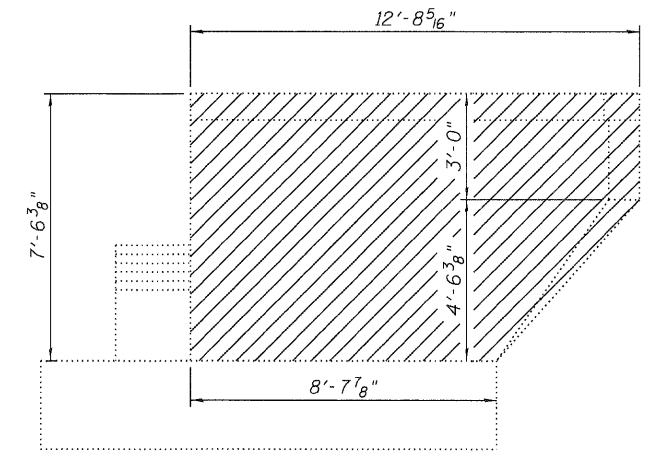


PLAN

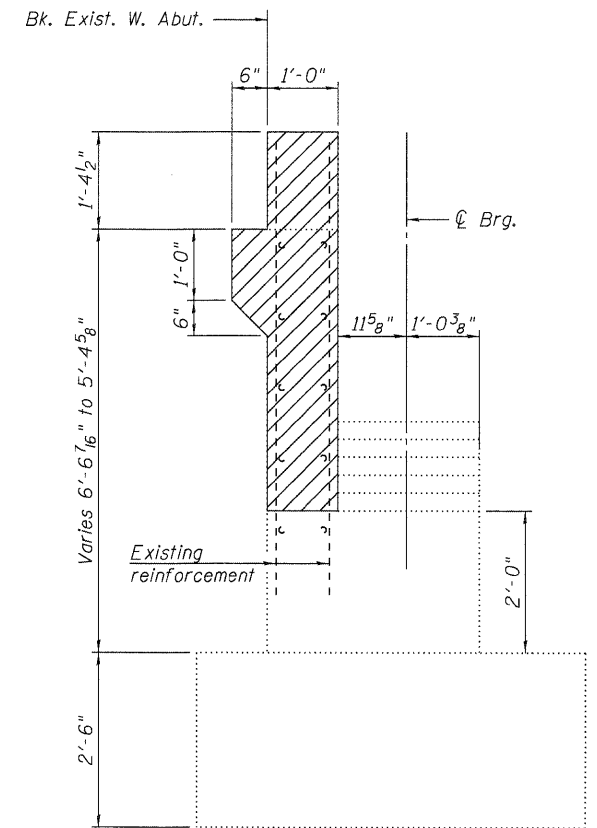
Note:
Hatched areas indicate Concrete Removal. Existing reinforcement extending into removed area shall be cleaned, straightened, and incorporated into new construction. Cost included with Concrete Removal.



SW WINGWALL ELEVATION



NW WINGWALL ELEVATION



SECTION A-A

(Horiz. dimensions are at Rt. L's)

WEST ABUTMENT BILL OF MATERIALS

| Item | Unit | Total |
|------------------|---------|-------|
| Concrete Removal | Cu. Yd. | 14.7 |

| | | | | |
|-------------------------------|-------------------|-----------|--|--|
| USER NAME = dheber.ling | DESIGNED - BRD | REVISED - | | 7018 KINGSMILL CT., SPRINGFIELD, IL (217) 483-9457 DESIGN FIRM #184001038 |
| FILE NAME = 0430007-64C94.dgn | CHECKED - CWC/SDS | REVISED - | | |
| PLOT DATE = 12/6/2011 | DRAWN - DLH | REVISED - | | |
| PLOT TIME = 10:10:56 AM | CHECKED - BRD | REVISED - | | |

STATE OF ILLINOIS
DEPARTMENT OF TRANSPORTATION

WEST ABUTMENT CONCRETE REMOVAL
STRUCTURE NO. 043-0007

SHEET NO. 21 OF 27 SHEETS

| | | | | |
|--------------------|--------------------------------|-------------------|------------------|---------------------------|
| F.A.P. RTE. 301 | SECTION (43B, 44B, 44HB, 45BD) | COUNTY JO DAVIESS | TOTAL SHEETS 309 | SHEET NO. 182 |
| CONTRACT NO. 64C94 | | | | ILLINOIS FED. AID PROJECT |