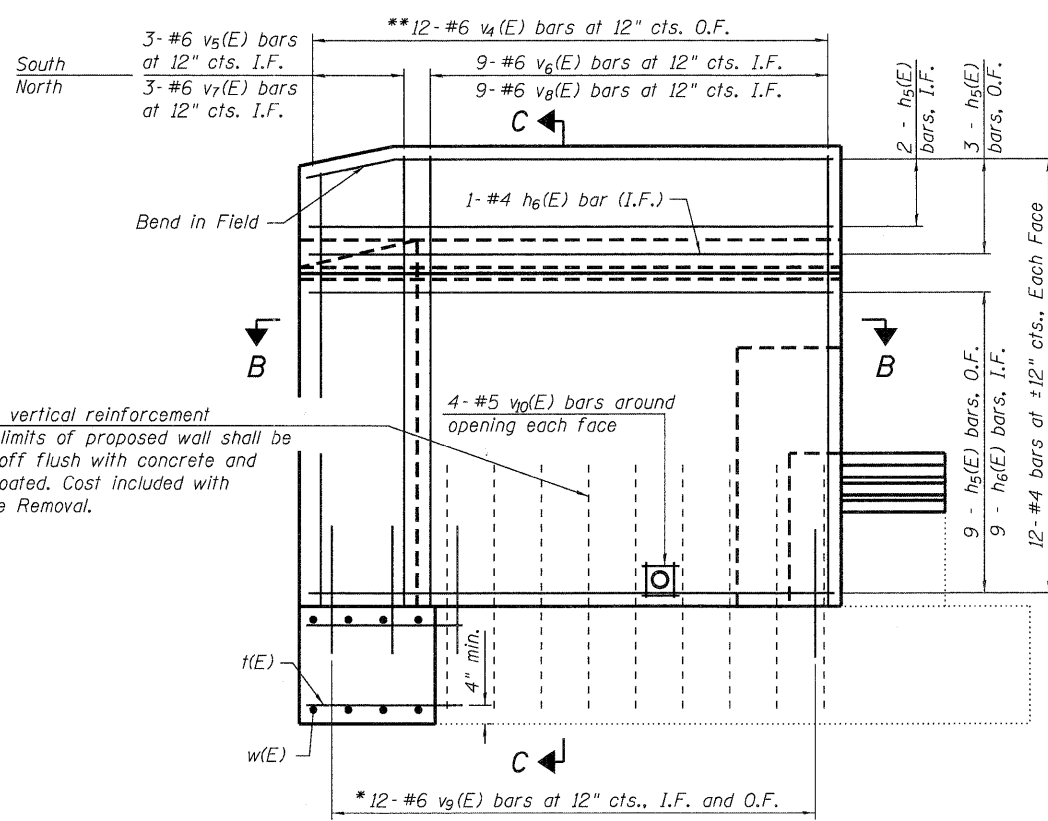
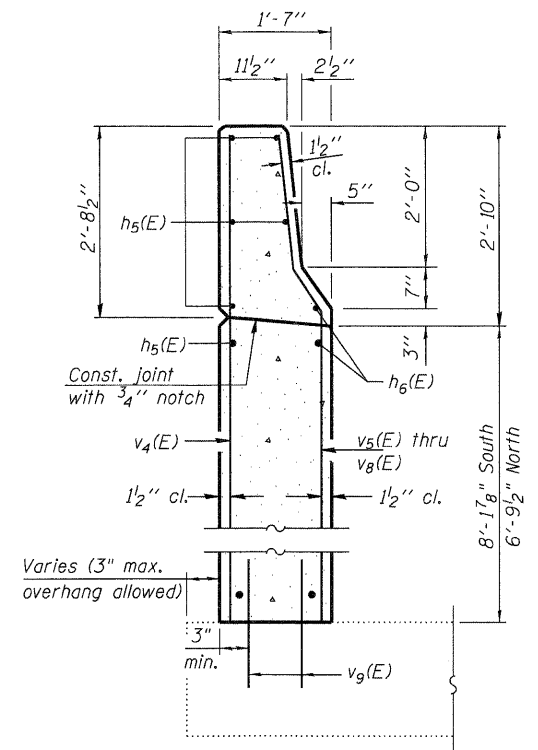


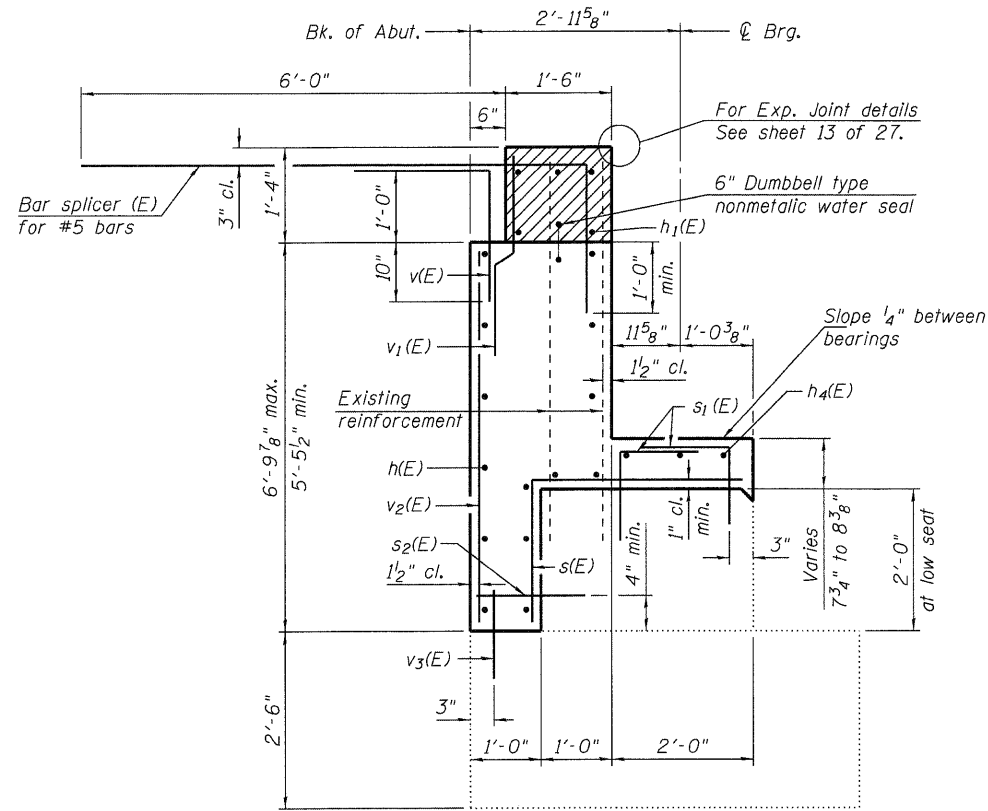
**WINGWALL ELEVATION**  
(Showing Dimensions)



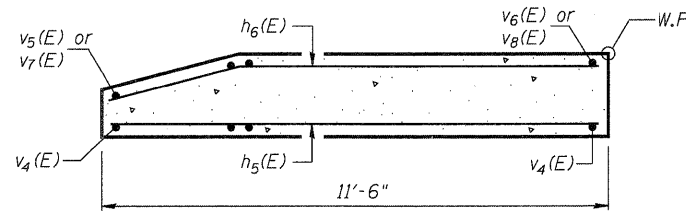
**WINGWALL ELEVATION**  
(Showing Reinforcement)



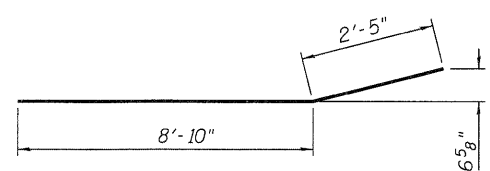
**SECTION C-C**



**SECTION THRU ABUTMENT**  
(Horiz. dim. at Rt. L's)

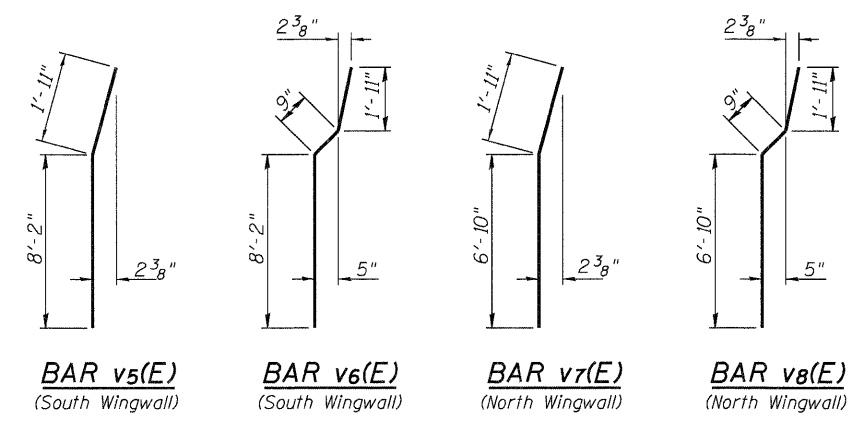


**SECTION B-B**



**BAR h<sub>6</sub>(E)**

Notes:  
Quantity of concrete in end post included with Concrete Superstructure on sheet 2 of 27.  
Hatched area to be poured after superstructure false work has been removed. Quantity of concrete included with Concrete Superstructure.  
\* Drill and grout bars according to Article 584 of The Standard Specifications, 9" min. embedment.  
\*\* Order v<sub>4</sub>(E) bars full length, cut to fit and use remainder for opposite wingwall.



**BAR v<sub>5</sub>(E)** (South Wingwall) **BAR v<sub>6</sub>(E)** (South Wingwall) **BAR v<sub>7</sub>(E)** (North Wingwall) **BAR v<sub>8</sub>(E)** (North Wingwall)

USER NAME = dheberling	DESIGNED - BRD	REVISED -		7018 KINGSMILL CT., SPRINGFIELD, IL (217) 483-9457 DESIGN FIRM #184001038	<b>STATE OF ILLINOIS</b> <b>DEPARTMENT OF TRANSPORTATION</b>	<b>WEST ABUTMENT DETAILS</b> <b>STRUCTURE NO. 043-0007</b>	F.A.P. RTE. 301	SECTION (43B, 44B, 44HB, 45B/D)	COUNTY JO DAVIESS	TOTAL SHEETS 309	SHEET NO. 184
FILE NAME = 0430007-64C94.dgn	CHECKED - CWC/SDS	REVISED -					CONTRACT NO. 64C94				
PLOT DATE = 12/6/2011	DRAWN - DLH	REVISED -					ILLINOIS FED. AID PROJECT				
PLOT TIME = 10:11:02 AM	CHECKED - BRD	REVISED -									