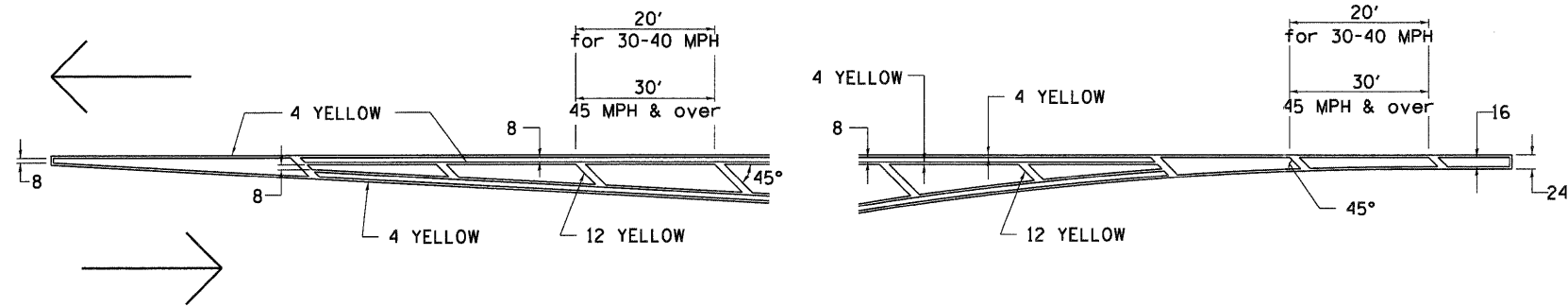
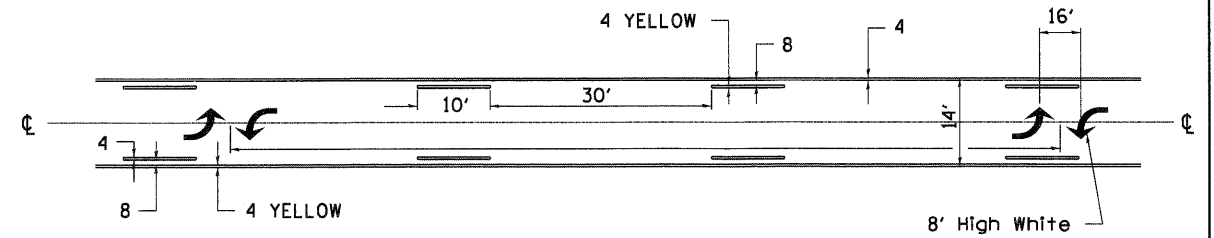


TYPICAL PAVEMENT MARKINGS

TYPICAL PAVEMENT MARKING FOR FLUSH MEDIAN AT LEFT TURN LANE

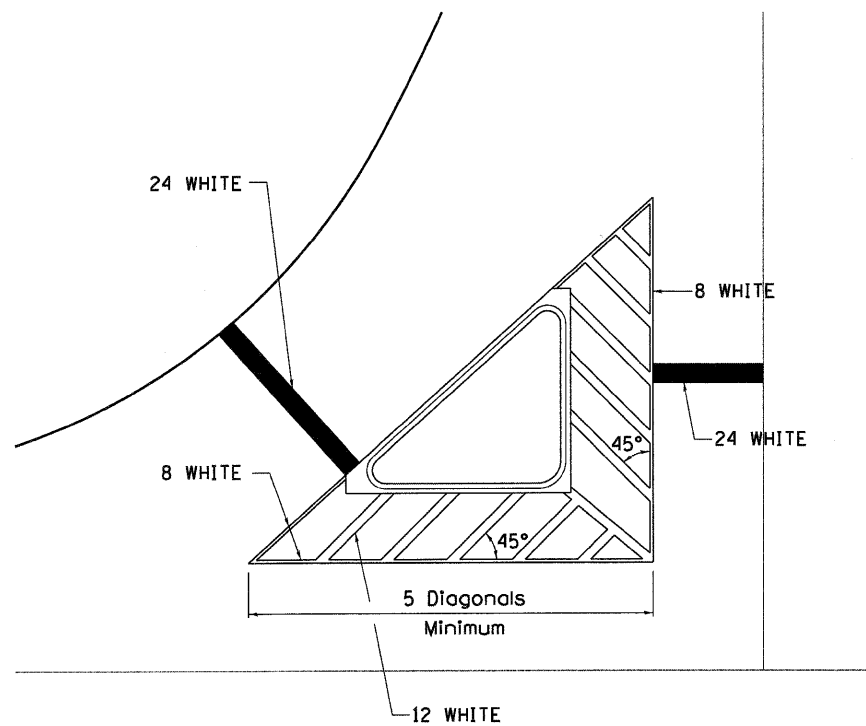


MEDIAN PAVEMENT MARKING

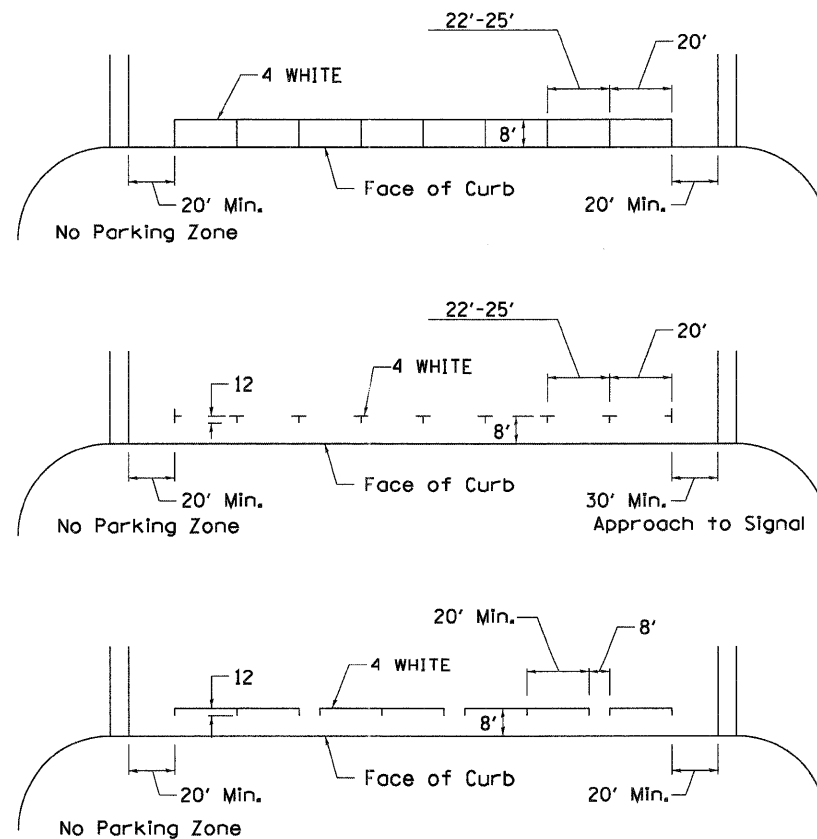


•• ALL DIMENSIONS ARE IN INCHES UNLESS OTHERWISE NOTED.

TYPICAL ISLAND OFFSET SHOULDER WIDTH

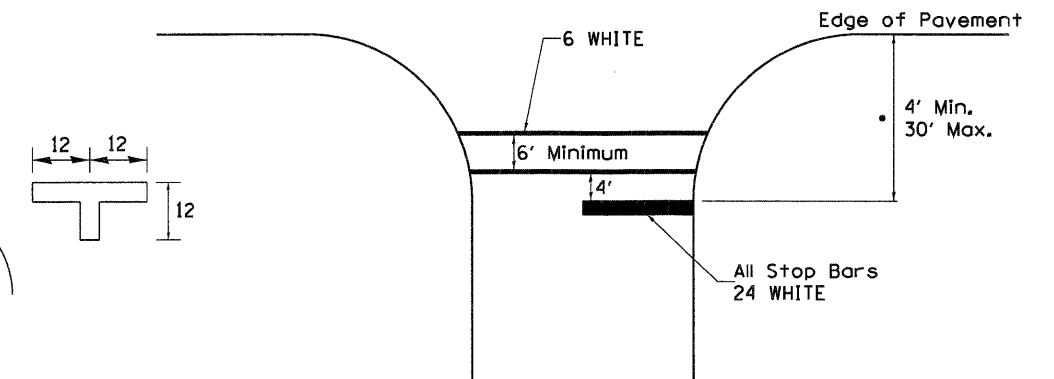


TYPICAL PARKING SPACING



STANDARD CROSSWALK MARKING

See Schedules for Locations



• Distance to the nearest edge of the intersecting roadway in the absence of a marked crosswalk.

FILE NAME =	USER NAME = gjemason	DESIGNED -	REVISED - 10-18-11	STATE OF ILLINOIS DEPARTMENT OF TRANSPORTATION	REGION 2 / DISTRICT 2 STANDARD		F.A.P. RTE.	SECTION	COUNTY	TOTAL SHEETS	SHEET NO.
1:\jobs\11dot.d-2\7387 us 28 ph 11\oad\oad sheets\03287dis.2.stds.dgn	DRAWN -	REVISED -	301				(43B,44B,44HB,45B)D	JO DAVIESS	309	299	
PLOT SCALE = 5/16" = 1' IN.	CHECKED -	REVISED -	CONTRACT NO. 64C94								
PLOT DATE = 12/6/2011	DATE -	REVISED -	FED. ROAD DIST. NO. ILLINOIS FED. AID PROJECT								