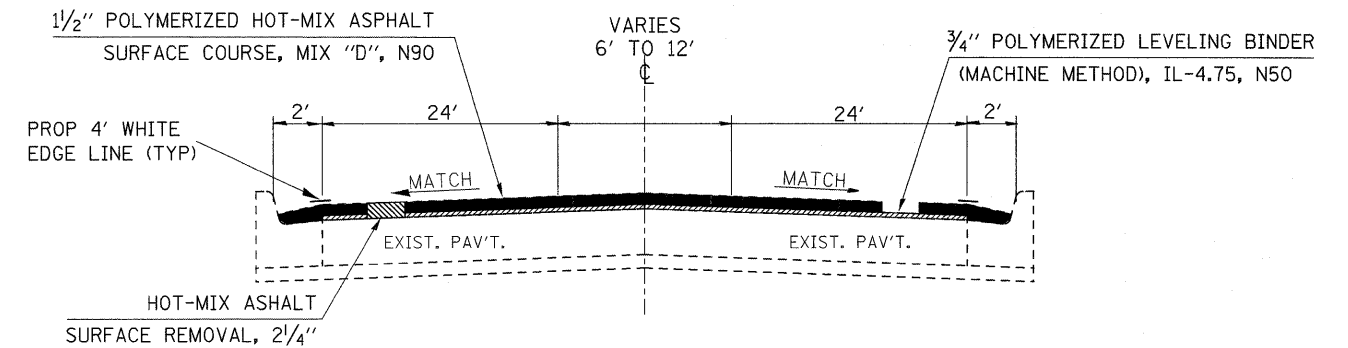


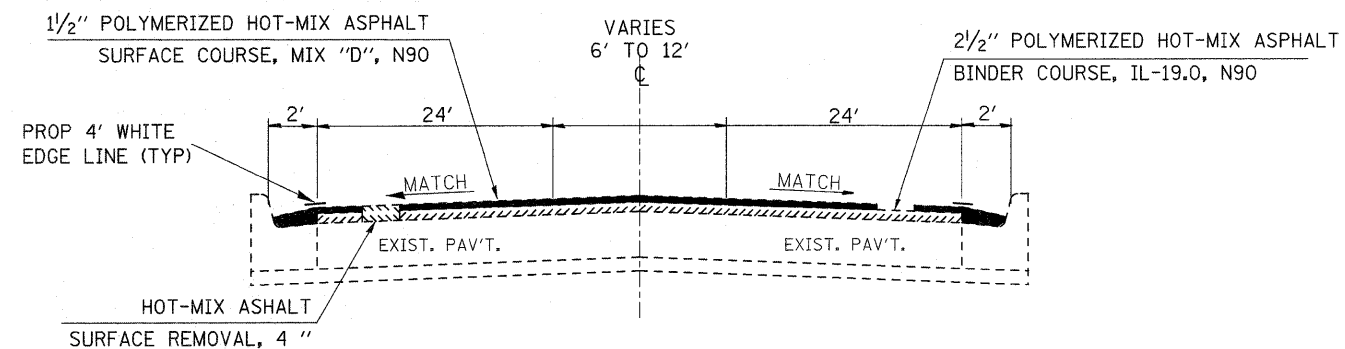
PROPOSED IL 17 TYPICAL SECTION

STA. 5+50 TO STA. 11+85
STA. 20+85 TO STA. 22+64 (WBL)



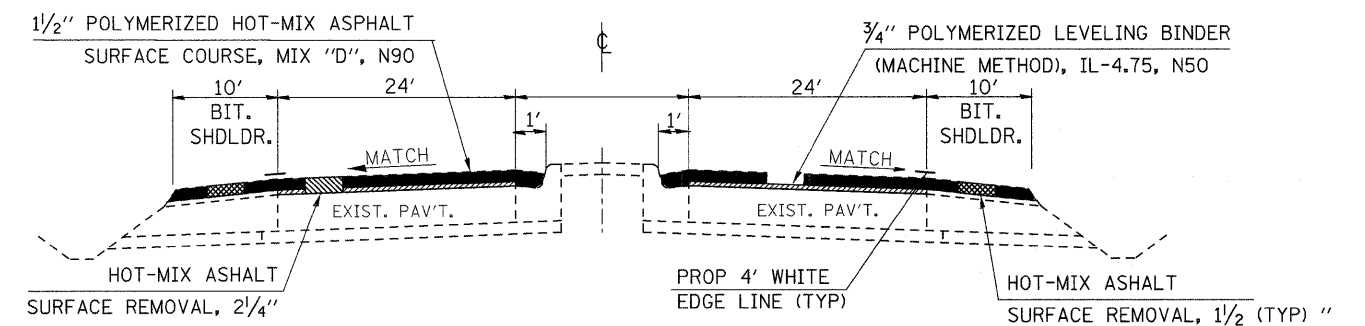
PROPOSED IL 17 TYPICAL SECTION

STA 17+00 TO STA 19+25



PROPOSED IL 17 TYPICAL SECTION

STA 11+85 TO STA 17+00



PROPOSED IL 17 TYPICAL SECTION

STA 19+25 TO STA 22+64 (EBL)
STA 22+64 TO 32+26.15

FILE NAME =	USER NAME = leafjw	DESIGNED -	REVISED -	STATE OF ILLINOIS DEPARTMENT OF TRANSPORTATION	IL 17 TYPICAL SECTIONS	F.A.P. RTE.	SECTION	COUNTY	TOTAL SHEETS	SHEET NO.	
ca\pw_work\pwsdot\quagleyml\d0282391\ED06604-shd-details.dgn	PLOT SCALE = 50.0000' / 1in.	DRAWN -	REVISED -			330	(1, 1R-2)RS	KANKAKEE	54	9	
	PLOT DATE = 12/20/2011	CHECKED -	REVISED -			CONTRACT NO. 66477					
		DATE -	REVISED -			ILLINOIS FED. AID PROJECT					
					SCALE:	SHEET NO.	OF	SHEETS	STA.	TO STA.	