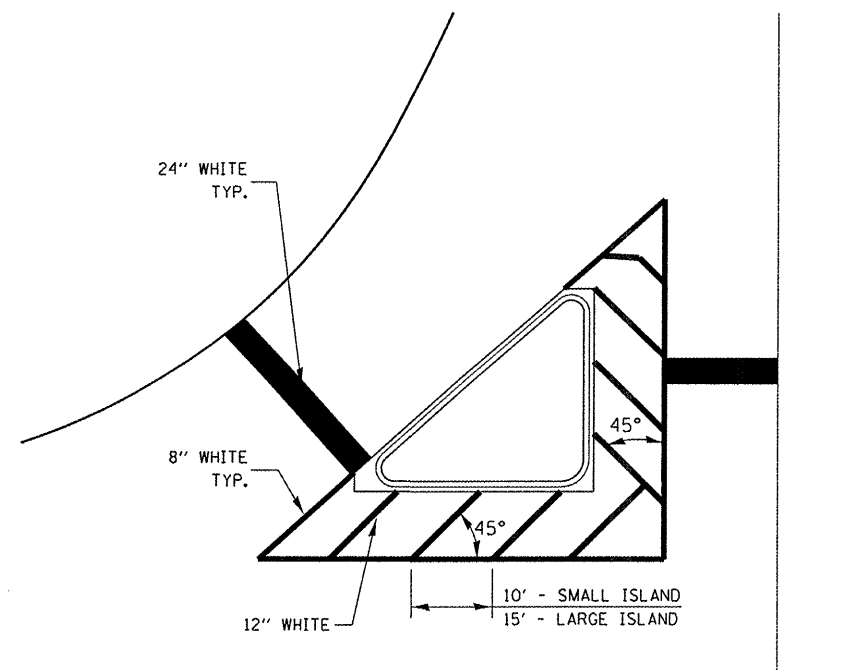


**RAISED REFLECTIVE PAVEMENT MARKERS
RIGHT TURN LANE**



TYPICAL ISLAND

FILE NAME =	USER NAME = corcoranlm	DESIGNED -	REVISED -
c:\pwork\pwork\corcoranlm\30135018\066921-sht-details.dgn		DRAWN -	REVISED -
	PLOT SCALE = 100.0000' / 1in.	CHECKED -	REVISED -
	PLOT DATE = 12/13/2011	DATE -	REVISED -

**STATE OF ILLINOIS
DEPARTMENT OF TRANSPORTATION**

DETAILS			
SCALE:	SHEET	OF	SHEETS
			STA.
			TO STA.

F.A.P. RTE.	SECTION	COUNTY	TOTAL SHEETS	SHEET NO.
332	(4,5,H,K,C-1)RS-4	*	20	18
* KANKAKEE & IROUOIS			CONTRACT NO. 66921	
ILLINOIS FED. AID PROJECT				