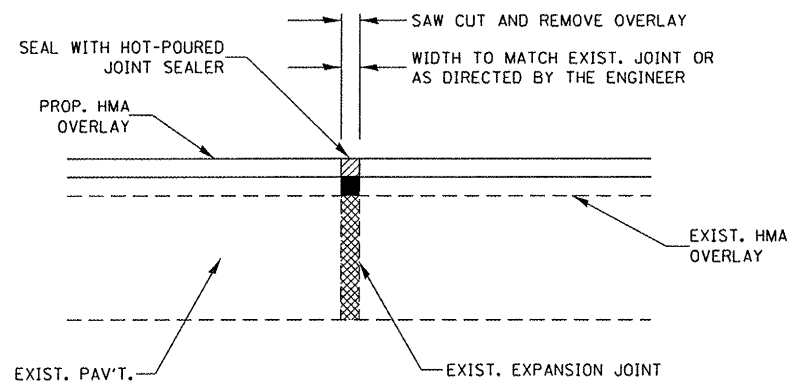


DETAIL A

SECTION A-A

**TYPICAL GROOVED RUMBLE STRIP
APPLICATION IN ADVANCE OF AN INTERSECTION**

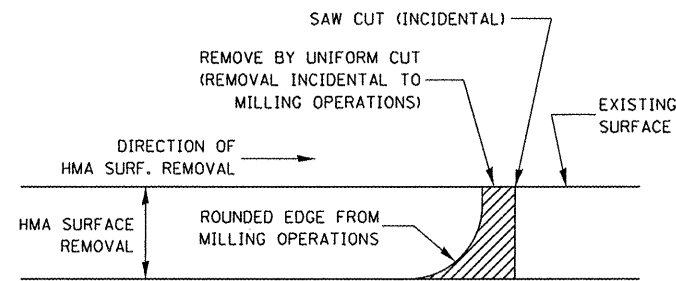
NOTE: PUT BACK AT EXISTING LOCATION



EXPANSION JOINT REHABILITATION DETAIL

GENERAL NOTES:

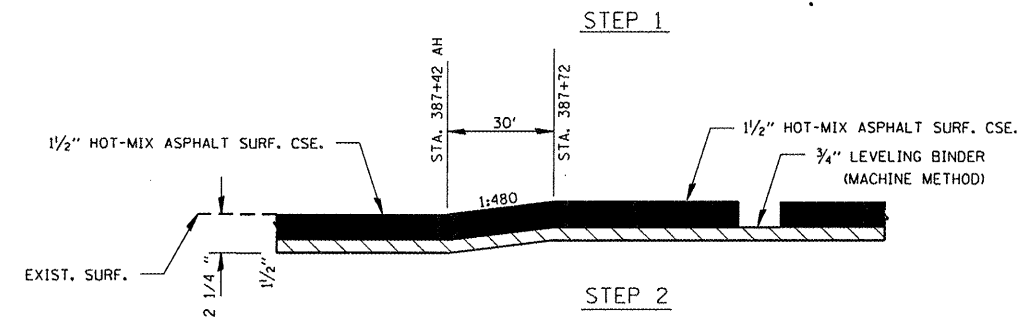
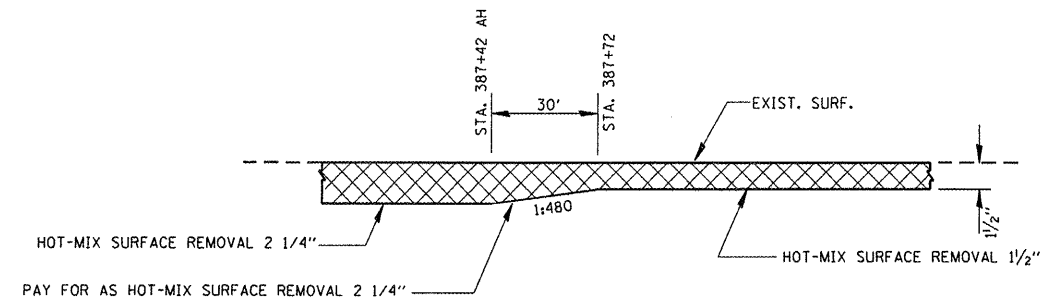
1. THE NEW HMA OVERLAY SHALL BE SAWED, REMOVED AND THE JOINT AREA CLEANED. PRIOR TO PLACING THE HOT-POURED JOINT SEALER, THE JOINT SHALL BE BLOWN OUT WITH COMPRESSED AIR.
2. THIS WORK WILL BE PAID FOR AT THE CONTRACT UNIT PRICE PER FOOT FOR EXPANSION JOINT REHABILITATION.



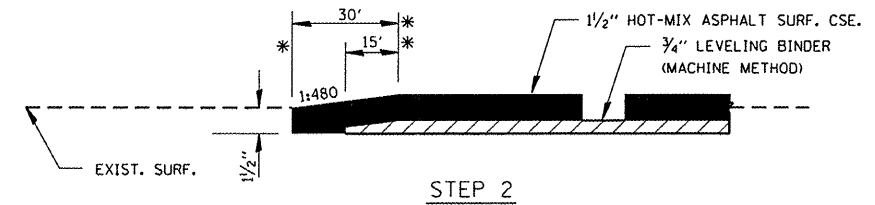
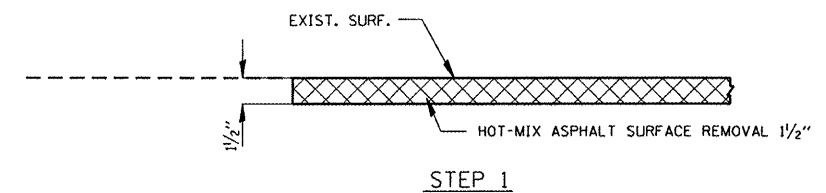
NOTE:

WHEN MILLING OPERATIONS PRODUCE A ROUNDED EDGE, THEN A SAW CUT SHALL BE USED TO MANUFACTURE A PERPENDICULAR EDGE AS SHOWN IN THE DETAIL. THE ENGINEER SHALL BE THE SOLE JUDGE CONCERNING THE USE OF THIS DETAIL

HMA DETAIL AT BUTT JOINTS



HMA TAPER DETAIL



BUTT JOINT DETAIL

- STA. 540+68 TO **STA. 540+38
- STA. 542+58 TO **STA. 542+88
- STA. 756+54 TO **STA. 756+24
- STA. 758+20 TO **STA. 758+50
- STA. 868+14 TO **STA. 867+84

SN 038-0206 OMISSION
SN 038-0019 OMISSION

FILE NAME =	USER NAME = corcoranlm	DESIGNED -	REVISED -
ci:\pwwork\pwwork\corcoranlm\d0135018\66921-sht-details.dgn	66921-sht-details.dgn	DRAWN -	REVISED -
PLOT SCALE = 100,0000 / 1 in.		CHECKED -	REVISED -
PLOT DATE = 12/13/2011		DATE -	REVISED -

**STATE OF ILLINOIS
DEPARTMENT OF TRANSPORTATION**

DETAILS

SCALE: SHEET NO. OF SHEETS STA. TO STA.

F.A.P. RTE.	SECTION	COUNTY	TOTAL SHEETS	SHEET NO.
332	(4,5,H,K,C-1)RS-4		20	20
• KANKAKEE & IROUOUISS			CONTRACT NO. 66921	
[ILLINOIS] FED. AID PROJECT				