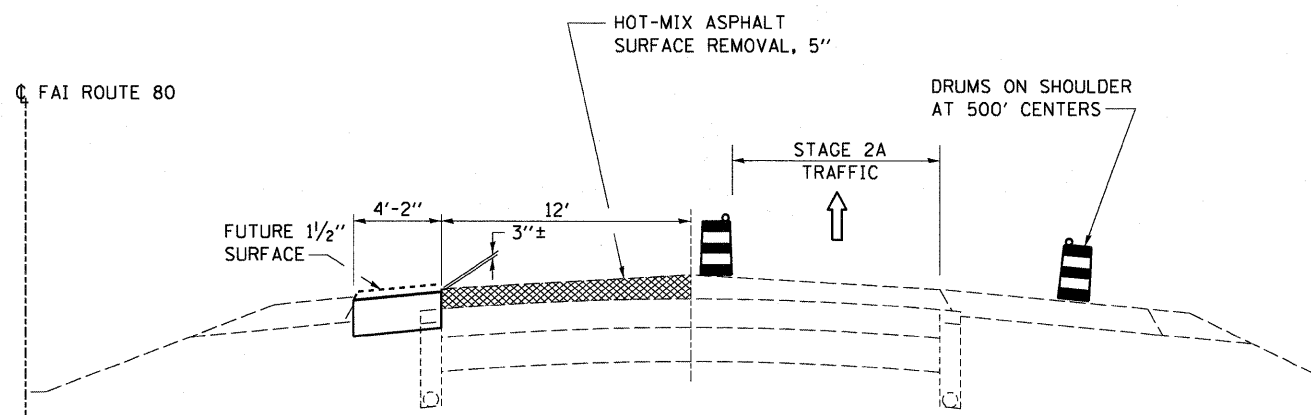
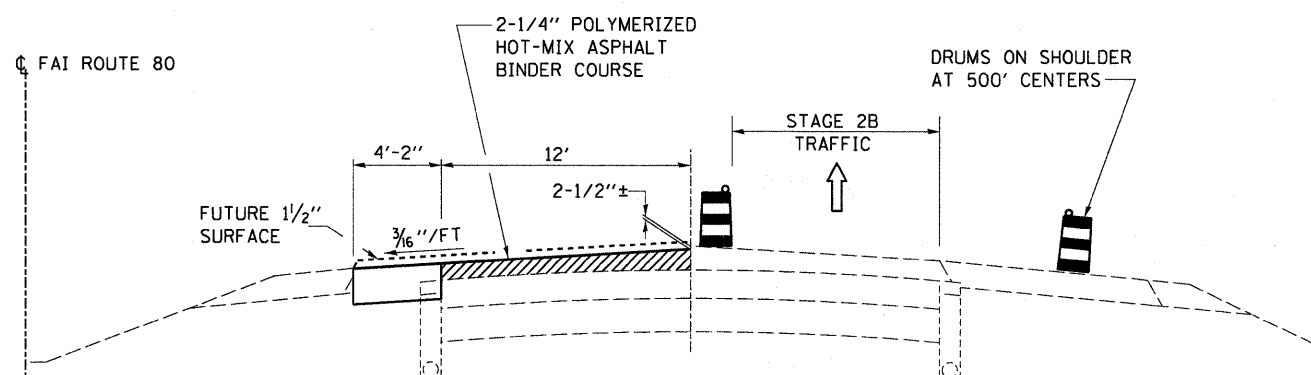


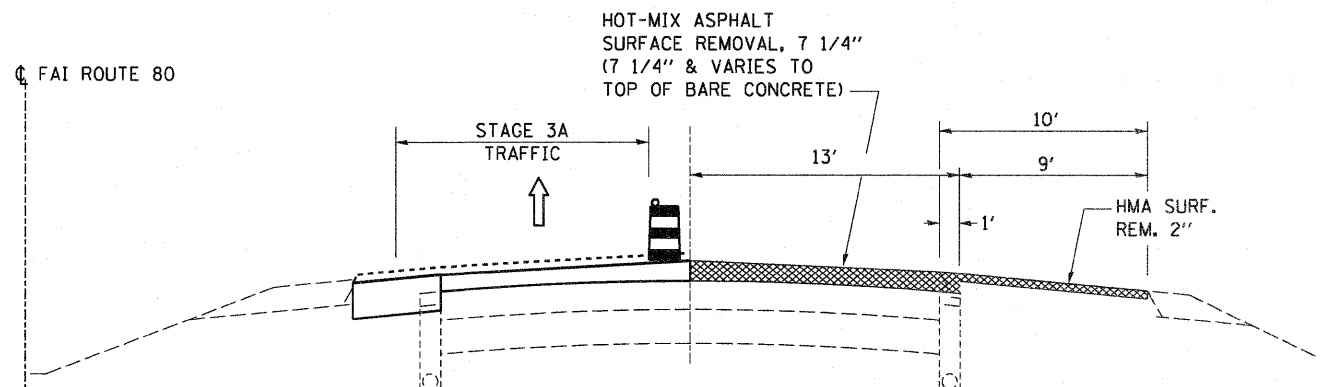
STAGE 1



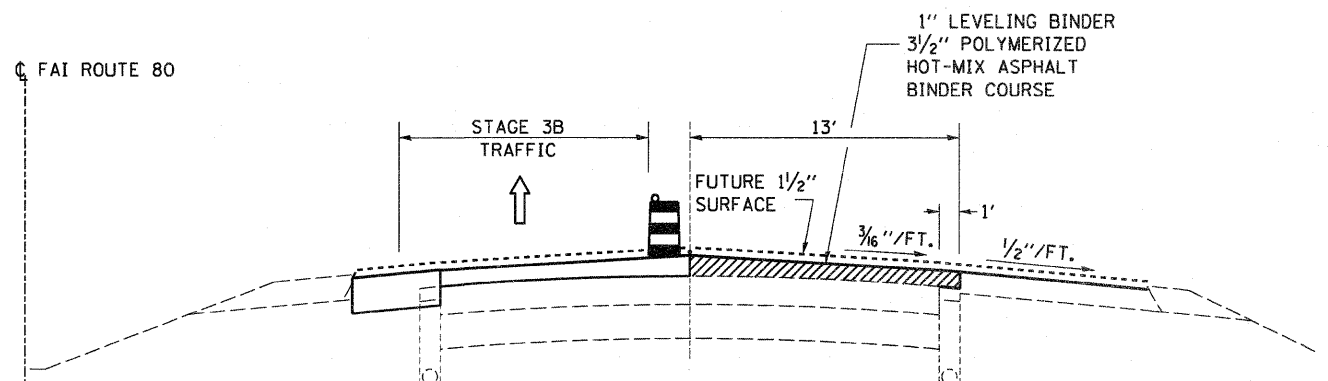
STAGE 2A



STAGE 2B



STAGE 3A



STAGE 3B

NOTES:
SUB-STAGES "A" AND "B" ARE TO BE PERFORMED IN THE SAME LANE CLOSURE PERIOD.
DETAILS ARE FOR EB AND WB

FILE NAME =	USER NAME = #USER#	DESIGNED -	REVISED -	STATE OF ILLINOIS DEPARTMENT OF TRANSPORTATION	STAGE CONSTRUCTION		F.A.I. RTE.	SECTION	COUNTY	TOTAL SHEETS	SHEET NO.
#FILEL#		DRAWN -	REVISED -		FROM THE PECUMSAGEN CREEK TO APPROX STA 431+77		FAI 80(50-2, 4)RS-5 & (50-3)RS-6	LASALLE	109	17	
PLOT SCALE = #SCALE#		CHECKED -	REVISED -		SCALE: _____	SHEET _____	OF _____	SHEETS	STA. _____	TO STA. _____	CONTRACT NO. 66A48
PLOT DATE = #DATE#		DATE -	REVISED -		ILLINOIS FED. AID PROJECT						