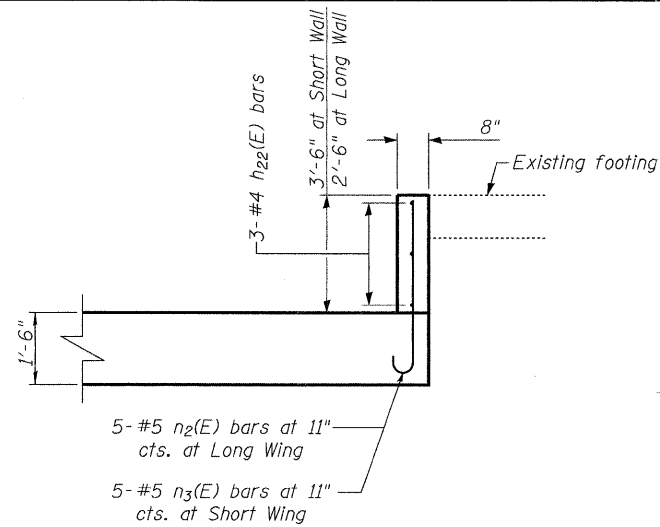


REMOVAL NOTES

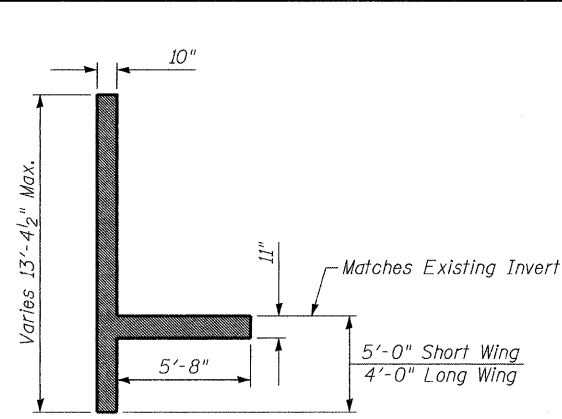
At the removal line, the contractor shall saw cut through the entire depth of the existing concrete wing wall footings.

The contractor shall be responsible for preventing any erosion underneath the existing culvert at the removal line, prior to pouring the new wing walls.

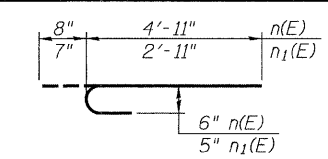
If erosion occurs underneath the culvert prior to placement of the new wing walls, the contractor shall repair the erosion by a method approved by the resident engineer. All costs associated with the erosion repair shall be at the contractor's expense.



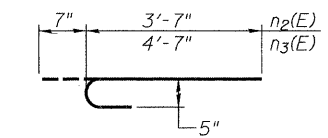
SECTION C-C
(Cutoff Wall)



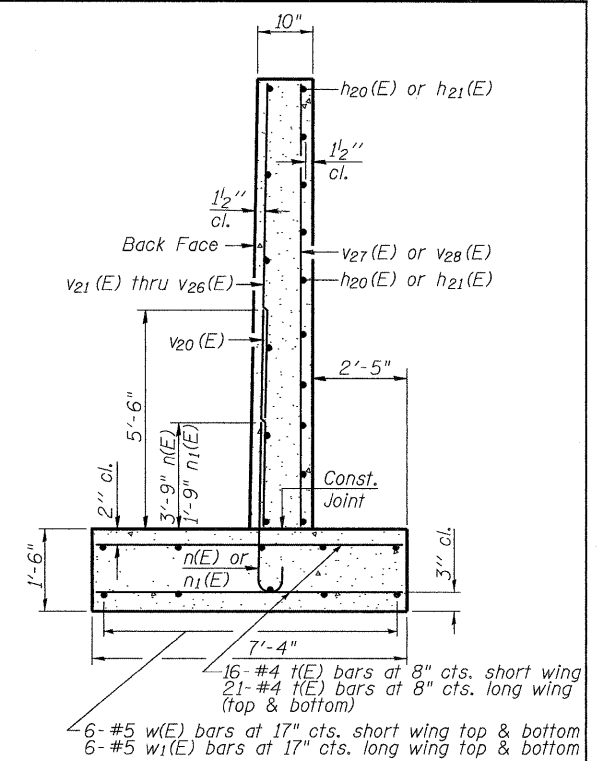
SECTION A-A



BARS n(E) and n1(E)

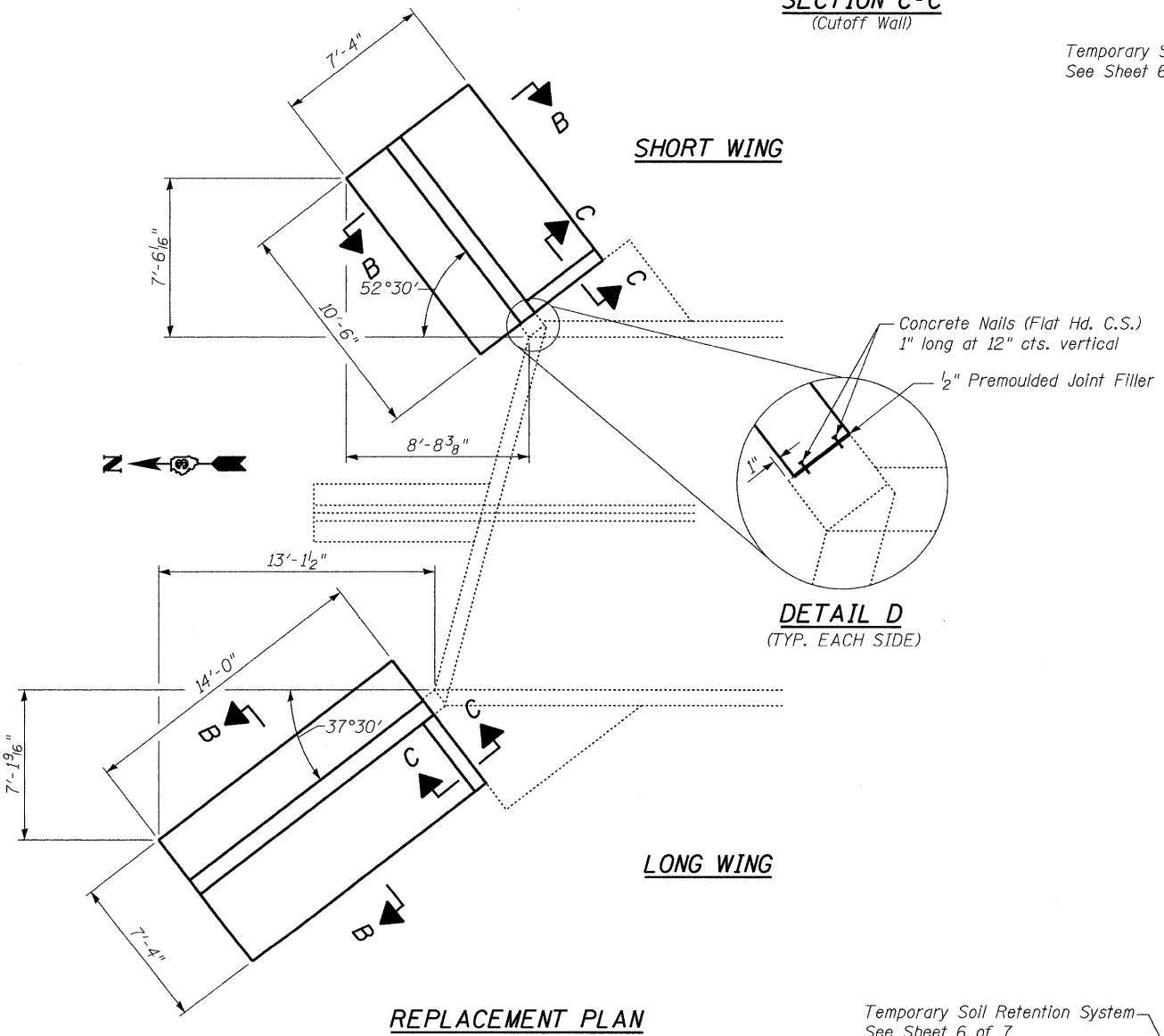


BARS n2(E) and n3(E)

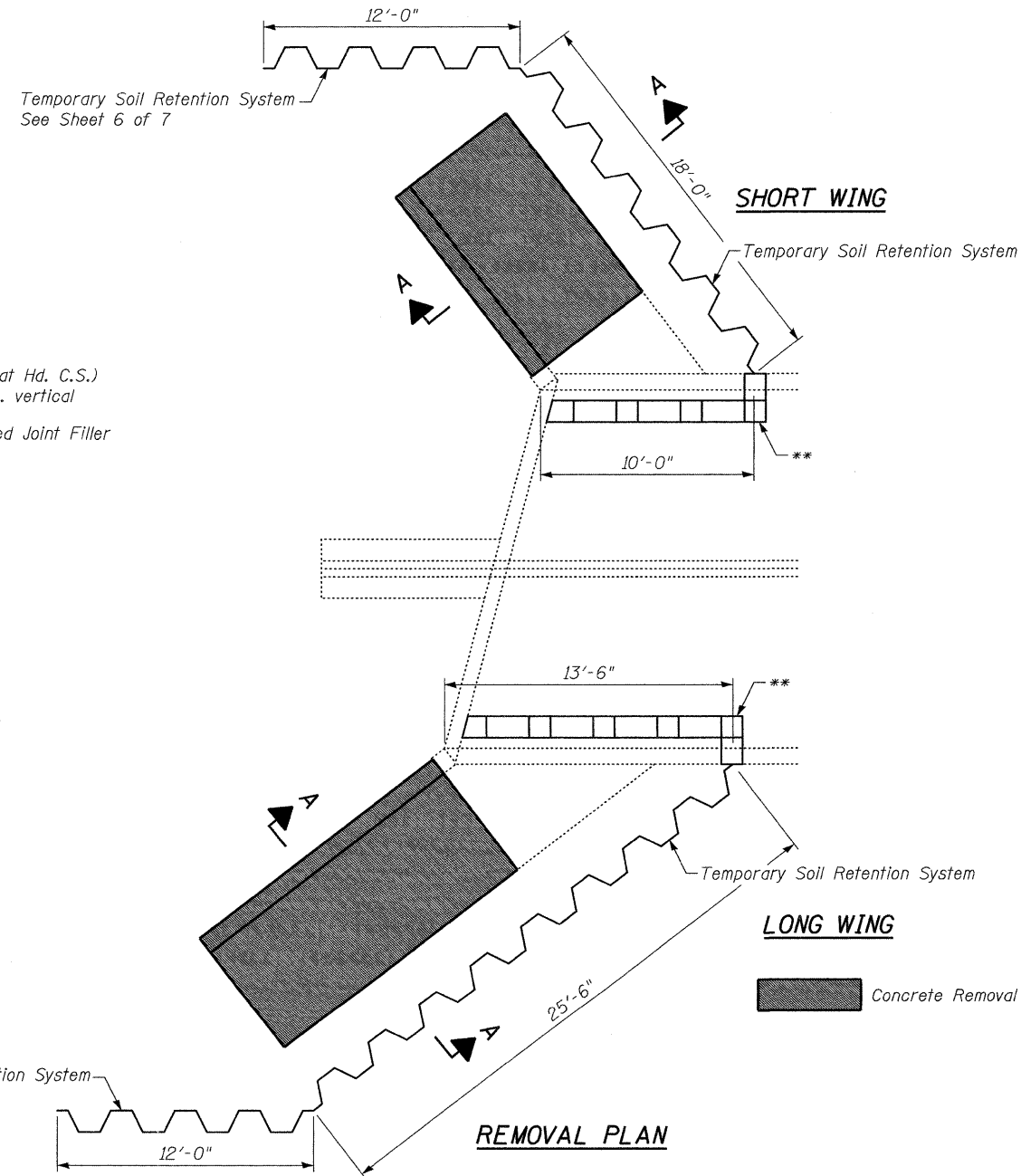


SECTION B-B

** Install temporary soil retaining system on top of the existing culvert. See Sheet 6 of 7.



REPLACEMENT PLAN



REMOVAL PLAN

NOTES

Reinforcement bars designated (E) shall be epoxy coated.
All construction joints shall be bonded.
See sheet 3 of 6 for wingwall details.

WING WALL BILL OF MATERIAL

Bar	No.	Size	Length	Shape
n(E)	31	#6	5'-7"	U
n1(E)	33	#5	3'-6"	U
n2(E)	5	#5	4'-2"	U
n3(E)	5	#5	5'-2"	U
h20(E)	17	#4	10'-3"	—
h21(E)	17	#4	13'-9"	—
h22(E)	6	#4	3'-10"	—
t(E)	74	#4	7'-1"	—
v20(E)	33	#5	5'-6"	—
v21(E)	4	#4	5'-3"	—
v22(E)	5	#4	6'-9"	—
v23(E)	5	#4	8'-3"	—
v24(E)	6	#4	8'-4"	—
v25(E)	6	#4	7'-0"	—
v26(E)	7	#4	5'-7"	—
v27(E)	4	#4	8'-9"	—
v28(E)	5	#4	11'-7"	—
w(E)	12	#5	10'-3"	—
w1(E)	12	#5	13'-9"	—
Concrete Removal		Cu. Yd.	13.1	
Concrete Box Culverts		Cu. Yd.	18	
Reinforcement Bars, Epoxy Coated		Pound	1770	

CHAMLIN & ASSOCIATES, INC. PERU, ILLINOIS

FILE NAME = 0502509-66A48-REM-REP-PLAN-002.DGN
USER NAME =
DESIGNED - JKC
CHECKED - AJO
PLOT SCALE =
DRAWN - ARR
PLOT DATE =
CHECKED - JKC

REVISIONS:
REVISED -
REVISED -
REVISED -
REVISED -

STATE OF ILLINOIS
DEPARTMENT OF TRANSPORTATION

BOX CULVERT REMOVAL AND REPLACEMENT DETAIL
STRUCTURE NO. 050-2509

SHEET NO. 2 OF 7 SHEETS

F.A.I. SECTION COUNTY TOTAL SHEETS SHEET NO.
80 (50-2,4)RS-5 & (50-3)RS-6 LASALLE 109 75
CONTRACT NO. 66A48
ILLINOIS FED. AID PROJECT