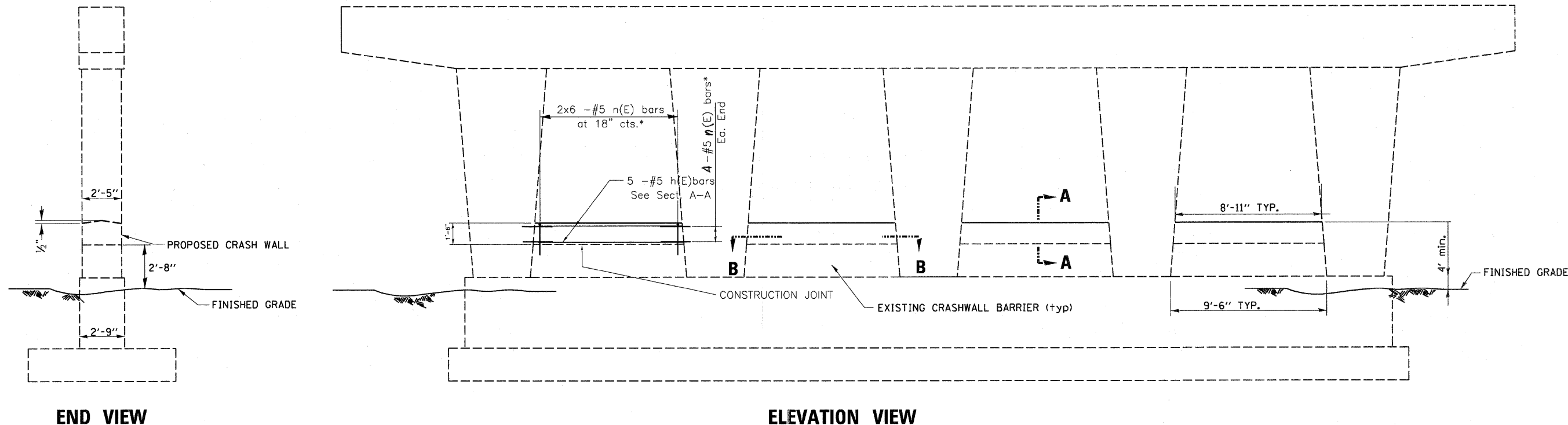


Notes:

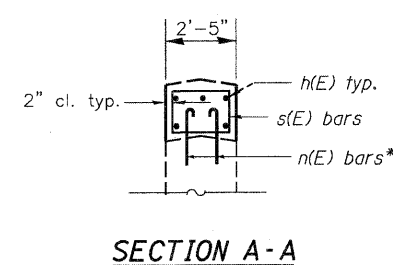
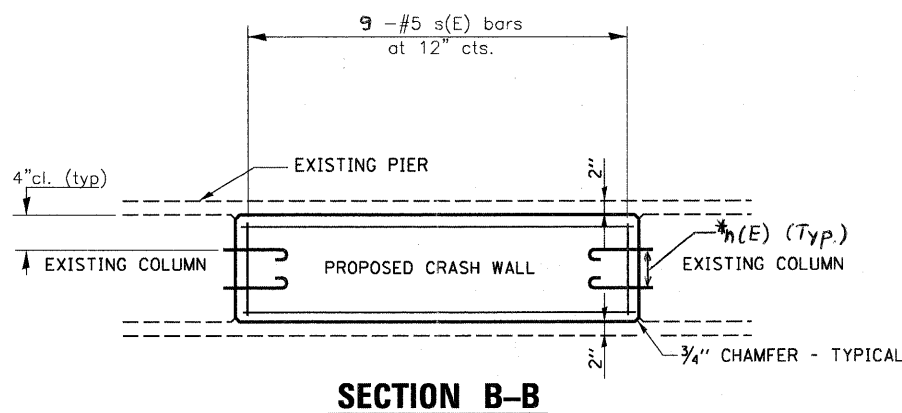
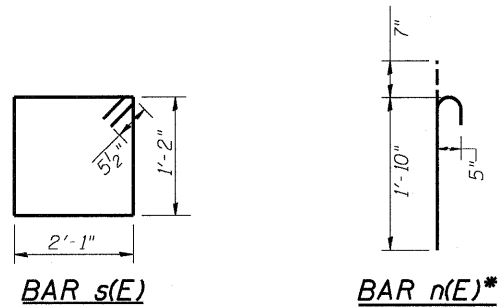
All exposed edges shall have a 3/4" chamfer

Reinforcement bars designated (E) shall be epoxy coated.

Plan dimensions and details relative to existing plans are subject to nominal construction variations. The Contractor shall field verify existing dimensions and details affecting new construction and make necessary approved adjustments prior to construction or ordering of materials. Such variations shall not be cause for additional compensation for a change in scope of the work, however, the Contractor will be paid for the quantity actually furnished based at the unit price bid for the work



*Drill & Epoxy Grout bars in 9" min. drilled holes according to Section 584 of Std. Spec. Cost included with Reinforcement Bars, Epoxy Coated



BILL OF MATERIAL

Bar	No.	Size	Length	Shape
h(E)	20	#5	8'-7"	—
n(E)	80	#5	2'-5"	U
s(E)	36	#5	7'-5"	□
Reinforcement Bars, Epoxy Coated			POUND	659
Concrete Structures			CU YD	4.9

MEDIAN PIER
 IL 23 OVER FAI 80
 SEC. (50-2, 4)RS-5 & (50-3)RS-6
 LASALLE COUNTY
 S.N. 050-0216



David Carl Puzey 12/3/12
 Expires 11/30/12

FILE NAME =	USER NAME = #USER#	DESIGNED - PCB	REVISED -	STATE OF ILLINOIS DEPARTMENT OF TRANSPORTATION	CRASH WALL EXTENSION DETAIL SN 050-0216	F.A.I. RTE.	SECTION	COUNTY	TOTAL SHEETS	SHEET NO.	
#FILEL#	PLOT SCALE = #SCALE#	DRAWN - PCB	REVISED -			80	(50-2, 4)RS-5 & (50-3)RS-6	LASALLE	109	83	
	PLOT DATE = #DATE#	CHECKED - SM	REVISED -			CONTRACT NO. 66A48					
		DATE - 12/3/2011	REVISED -			ILLINOIS FED. AID PROJECT					