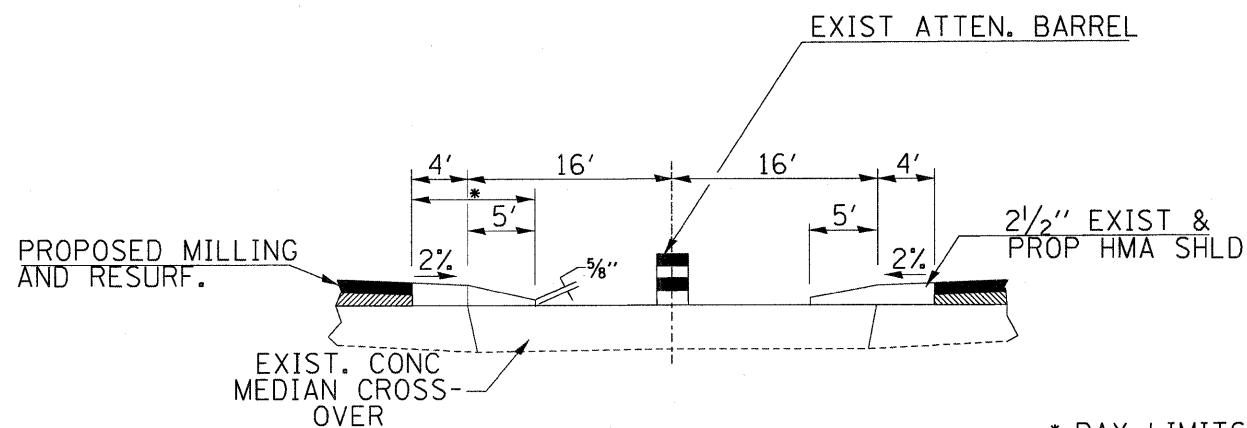


4' MEDIAN SHLD SHOWN, 2' OUTSIDE SHLD
SIMILAR- SEE SPECIAL PROVISIONS

EXCAVATING AND GRADING
EXISTING SHOULDER



* PAY LIMITS OF HMA
SURF REM VAR DEPTH
REPLACE AT SAME DIMENSIONS
W/HMA SURF CSE, MIX C

HMA SURF REMOVAL VARIABLE
DEPTH AT MEDIAN CROSSOVER

STA 557+00 TO STA 583+00

FILE NAME =	USER NAME = #USER#	DESIGNED -	REVISED -	STATE OF ILLINOIS DEPARTMENT OF TRANSPORTATION	DETAILS		F.A.I. RTE.	SECTION	COUNTY	TOTAL SHEETS	SHEET NO.
#FILE#		DRAWN -	REVISED -				80	(50-2, 4RS-5 & (50-3)RS-6	LASALLE	109	96
	PLOT SCALE = #SCALE#	CHECKED -	REVISED -		SCALE: _____ SHEET _____ OF _____ SHEETS STA. _____ TO STA. _____		CONTRACT NO. 66A4B				
	PLOT DATE = #DATE#	DATE -	REVISED -		ILLINOIS FED. AID PROJECT						